

CROSS-MOUNTED CLOSE-HEADROOM HOISTS



WRIGHT[®]

WORK-RATED[®] HOISTS

THE NEW CENTURY SERIES[®]

WORK-RATED[®] HOISTS

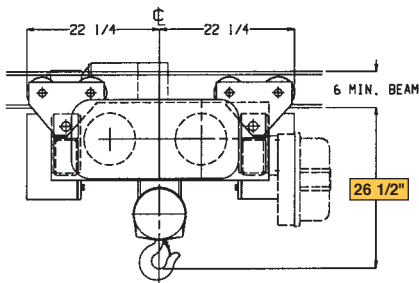
THE NEW CENTURY SERIES[®]

1 to 10 Ton

TWO FRAME SIZES IN CAPACITIES OF 1 TO 10 TONS

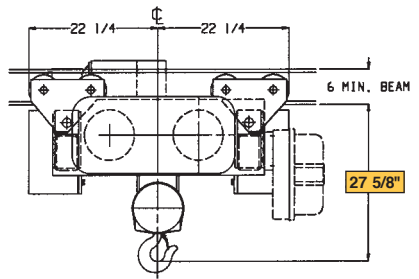
SERIES 32, 2PD

Capacity: 1 and 5 ton



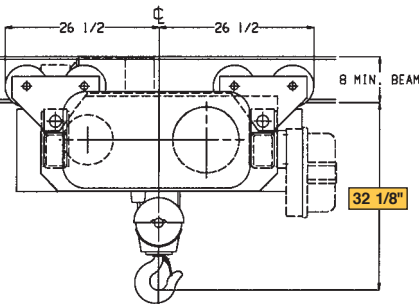
SERIES 33, 2PD

Capacity: 1 and 5 ton



SERIES 33, 4PD

Capacity: 7.5 and 10 ton



Cross-mounted close-headroom hoists from WRIGHT[®].

Close-headroom allows for the ultimate flexibility in material handling.

Trust WORK-RATED[®] Hoists for superior operation in high volume handling of heavy loads.

Compare these features:

- H-4 Duty Classification (ASME HST-4M)
- Machine cut, case hardened, alloy steel gears
- Largest oil bath in the industry
- Overload cut-off
- Mechanical load brake
- U.S. Manufactured motors
- Motor Thermostats
- Disc type motor brake
- Easy maintenance of gears
- Optional hazardous location Class I & II, Group C, D, E, F & G, Division I & II



CROSS-MOUNTED
CLOSE-HEADROOM



SERIES	CAPACITY	LIFT	SPEED	REEVING	HEADROOM	END APPROACH
32	1-3 Ton	20-60 Ft.	15 or 22 FPM	2PD	26 1/2"	22 1/4"
32	5 Ton	20-60 Ft.	15 FPM	2PD	26 1/2"	22 1/4"
33	1-3 Ton	20-82 Ft.	30 or 44 FPM	2PD	27 5/8"	26 1/8"
33	5 Ton	20-82 Ft.	22 or 30 FPM	2PD	27 5/8"	26 1/8"
33	7 1/2 Ton	22-36 Ft.	15 or 22 FPM	4PD	32 1/8"	26 1/2"
33	10 Ton	22-36 Ft.	15 FPM	4PD	32 1/8"	26 1/2"



ACCO Material Handling Solutions

76 Acco Drive, Box 792, York, PA 17405-0792

717-741-4863, 800-967-7333, FAX 800-715-8897

E-mail: info@accomhs.com

www.accomhs.com