

**Acco<sup>®</sup> WRIGHT<sup>®</sup>**

**WORK-RATED<sup>®</sup>**  
**THE NEW CENTURY SERIES<sup>®</sup>**

wire rope electric hoists

product series 33

parts  
manual

SERIAL NUMBER

**⚠ WARNING**

This equipment should not be installed, operated or maintained by any person who has not read all the contents of Instruction, Operation, and Maintenance Manual 69833; and Parts Manual 69835. Failure to read and comply with the instructions or any one of the limitations noted in either manual can result in serious bodily injury or death, and/or property damage.

There are no other warranties which extend beyond the description on the Order Acknowledgment and as it may apply to the specifications provided in this publication. THE IMPLIED WARRANTIES OF MERCHANTABILITY AND FITNESS FOR A PARTICULAR PURPOSE ARE EXCLUDED. Acco shall in no event be liable for any special, direct, indirect, incidental or consequential damages to anyone beyond the cost of replacement of the goods sold hereby.

# TABLE OF CONTENTS

## NOTICE

Parts Manual 69835 covers parts information in reference to Product Series 33 of the WRIGHT® WORK-RATED® THE NEW CENTURY SERIES® wire rope electric hoist line. This manual includes parts information for a variety of hoist types. Therefore, all parts information may not apply to any one type or size of specific hoist. Disregard those portions of the manual that do not apply. Parts Manual 69835 should be used in conjunction with Manual 69833: Installation, Operation, and Maintenance Manual for WRIGHT® WORK-RATED® Wire Rope Electric Hoists. Refer to Manual 69833 for instructions on installation, operation, inspection, testing, adjusting, and maintaining this equipment; and Parts Manual 69835 for parts information and identification. Use of the term MANUAL refers to both Manual 69833 and Parts Manual 69835.

<u>SUBJECT</u>	<u>PAGE</u>
IMPORTANT INFORMATION AND WARNINGS .....	3
HOIST MOTOR BRAKE ASSEMBLY .....	5
HOIST GEAR HOUSING ASSEMBLY .....	6
HOIST MOTOR - PARALLEL MOUNTED HOIST .....	8
HOIST MOTOR & ADAPTER PARTS - CROSS MOUNTED HOIST .....	9
SUSPENSION - 2PS REEVING .....	11
SUSPENSION - 4PS REEVING .....	12
SUSPENSION - 2PD REEVING - PARALLEL MOUNTED HOIST .....	13
SUSPENSION - 4PD REEVING - PARALLEL MOUNTED HOIST .....	14
SUSPENSION - 2PD REEVING - CROSS MOUNTED HOIST .....	15
SUSPENSION - 4PD REEVING - CROSS MOUNTED HOIST .....	16
LOAD BLOCK - 2PS REEVING .....	17
LOAD BLOCK - 4PS REEVING .....	18
LOAD BLOCK - 2PD REEVING .....	19
LOAD BLOCK - 4PD REEVING .....	20
GRAVITY LIMIT SWITCH .....	21
GEARED LIMIT SWITCH .....	22
HOIST RECTIFIED D.C. BRAKE CONTROL .....	23
BASIC CONTROL COMPONENTS .....	24
PENDANT CONTROL STATION .....	28
4-WHEEL PLAIN TROLLEY - 5 IN. DIA. WHEEL - TWO MOUNTING STUDS .....	30
4-WHEEL GEARED TROLLEY - 5 IN. DIA. WHEEL - TWO MOUNTING STUDS .....	31
2-WHEEL PLAIN TROLLEY - 5 IN. DIA. WHEEL .....	32
4-WHEEL PLAIN TROLLEY - 5 IN. DIA. WHEEL .....	33
4-WHEEL GEARED TROLLEY - 5 IN. DIA. WHEEL .....	34
4-WHEEL GEARED TROLLEY - DUAL DRIVE - 5 IN. DIA. WHEEL .....	35
2-WHEEL PLAIN TROLLEY - 6 IN. DIA. WHEEL .....	37
4-WHEEL PLAIN TROLLEY - 6 IN. DIA. WHEEL .....	38
4-WHEEL GEARED TROLLEY - 6 IN. DIA. WHEEL .....	39
4-WHEEL GEARED TROLLEY - DUAL DRIVE - 6 IN. DIA. WHEEL .....	40
HAND-GEARED TROLLEY DRIVE .....	41
MOTORIZED TROLLEY DRIVE .....	42
MOTORIZED TROLLEY RIGHT-ANGLE REDUCER .....	43
TROLLEY MOTOR BRAKE ASSEMBLY .....	44
DECK MOUNTED FRAME .....	45
WINCH UNIT FRAME .....	45
TOP-RUNNING TROLLEY .....	46
LOAD BAR ASSEMBLY FOR SWIVELING TROLLEYS - PARALLEL MOUNTED HOIST .....	47
FRAME ASSEMBLY FOR SWIVELING TROLLEYS - CROSS MOUNTED HOIST .....	48
FRAME ASSEMBLY FOR LOUDEN TROLLEYS - CROSS MOUNTED HOIST .....	49
OPTIONAL ELECTRICAL CONTROL ENCLOSURE .....	50

## NOTICE

TO ORDER PARTS: Provide part number, part description, quantity required, and Product Number or Serial Number of Hoist.

# IMPORTANT INFORMATION AND WARNINGS

## SAFETY ALERT SYMBOL

The Safety Alert Symbol is used in this manual to indicate hazards and to alert the reader to information that should be known, understood, and followed in order to avoid DEATH or SERIOUS INJURY.

Read and understand this manual before using the hoist.

Important issues to remember during operation are provided at the hoist control stations, at various locations on the hoist and in the manuals by **DANGER**, **WARNING**, or **CAUTION** instructions or placards, that alert the personnel to potential hazards, proper operation, load limitations, and more.

### **DANGER**

Indicates an imminently hazardous situation which, if not avoided, will result in death or serious injury.

### **WARNING**

Indicates a potentially hazardous situation which, if not avoided, could result in death or serious injury.

### **CAUTION**

Indicates a potentially hazardous situation which, if not avoided, may result in minor or moderate injury. It may also be used to alert against unsafe practices.

## **CAUTION**

These general instructions deal with the normal installation, operation, and maintenance situations encountered with the equipment described herein. The instructions should not be interpreted to anticipate every possible contingency or to anticipate the final system, crane, or configuration that uses this equipment.

This manual includes instructions and parts information for a variety of hoist types. Therefore, all instructions and parts information may not apply to any one type or size of specific hoist. Disregard those portions of the instructions that do not apply.

Record hoist serial number on the front cover of this manual for identification and future reference to avoid referring to the wrong manual for information or instructions on installation, operation, inspection, maintenance, or parts.

Use only Wright® authorized replacement parts in the service and maintenance of this hoist.

## **WARNING**

Equipment described herein is not designed for and should not be used for lifting, supporting, or transporting humans.

Equipment described herein should not be used in conjunction with other equipment unless necessary and/or required safety devices applicable to the system, crane, or application are installed by the system designer, system manufacturer, crane manufacturer, installer, or user.

Modifications to upgrade, rerate, or otherwise alter this equipment shall be authorized only by the original equipment manufacturer or qualified professional engineer.

Equipment described herein may be used in the design and manufacture of cranes or monorails. Additional equipment or devices may be required for the crane or monorail to comply with applicable crane design and safety standards. The crane designer, crane manufacturer, or user is responsible to furnish these additional items for compliance. Refer to ASME B30.17, Safety Standard for Top-Running Single Girder Cranes; ASME B30.2 Safety Standard for Top-Running Double-Girder Cranes; and ASME B30.11 Safety Standard for Underhung Cranes and Monorails. If a below-the-hook lifting device or sling is used with a hoist, refer to ASME B30.9, Safety Standard for Slings, or ASME B30.20, Safety Standard for Below-the-Hook Lifting Devices.

Hoists and cranes, used to handle hot molten material may require additional equipment or devices. Refer to ANSI Z241.2, Safety Requirements for Melting and Pouring of Metals in the Metalcasting Industry.

Electrical equipment described herein is designed and built in compliance with ACCO Chain & Lifting Products interpretation of ANSI/NFPA 70, National Electrical Code. The system designer, system manufacturer, crane designer, crane manufacturer, installer, or user is responsible to assure that the installation and associated wiring of these electrical components is in compliance with ANSI/NFPA 70, and all applicable Federal, State, and Local Codes.

Failure to read and comply with any of the limitations noted herein can result in serious bodily injury or death, and/or property damage.

## IMPORTANT INFORMATION AND WARNINGS

### DANGER

HAZARDOUS VOLTAGES ARE PRESENT IN THE CONTROL ENCLOSURE, OTHER ELECTRICAL COMPONENTS, AND CONNECTIONS BETWEEN THESE COMPONENTS.

Before performing ANY mechanical or electrical maintenance on the equipment, de-energize (disconnect) the main switch supplying power to the equipment; and lock and tag the main switch in the de-energized position. Refer to ANSI Z244.1, Personnel Protection — Lockout/Tagout of Energy Sources.

Do not operate the equipment without control enclosure cover or covers in place.

Only trained and competent personnel should inspect and repair this equipment.

### NOTICE

It is the responsibility of the owner/user to install, inspect, test, maintain, and operate a hoist in accordance with ASME B30.16, Safety Standard for Overhead Hoists, OSHA Regulations, and ANSI/NFPA 70, National Electrical Code. If the hoist is installed as part of a total lifting system, such as an overhead crane or monorail, it is also the responsibility of the owner/user to comply with the applicable ASME B30 volume that addresses that type of equipment.

It is the responsibility of the owner/user to have all personnel that will install, inspect, test, maintain, and operate a hoist read the contents of this manual and applicable portions of ASME B30.16, Safety Standard for Overhead Hoists, OSHA Regulations, and ANSI/NFPA 70, National Electrical Code. If the hoist is installed as part of a total lifting system, such as an overhead crane, the applicable ASME B30 volume that addresses that type of equipment must also be read by all personnel.

Any ANSI Standards referenced in this manual may be obtained from the American National Standards Institute, 1430 Broadway, New York, New York 10018.

This manual contains information for safe operation of an overhead hoist. Taking precedence over any specific rule, however, is the most important rule of all "USE COMMON SENSE." Operation of an overhead hoist involves more than operating the controls. The operator must consider and anticipate the motions and actions that will occur as a result of operating the controls.

If the hoist owner/user requires additional information, or if any information in the manual is not clear, contact ACCO Chain & Lifting Products, York, Pennsylvania or the distributor of the hoist. Do not install, inspect, test, maintain, or operate the hoist unless this information is fully understood.

When contacting ACCO Chain & Lifting Products or the distributor of the hoist, always make reference to the serial number of the hoist.

A regular schedule of inspection of the hoist in accordance with the requirements of the ASME B30.16 should be established and records maintained.

### WARNING

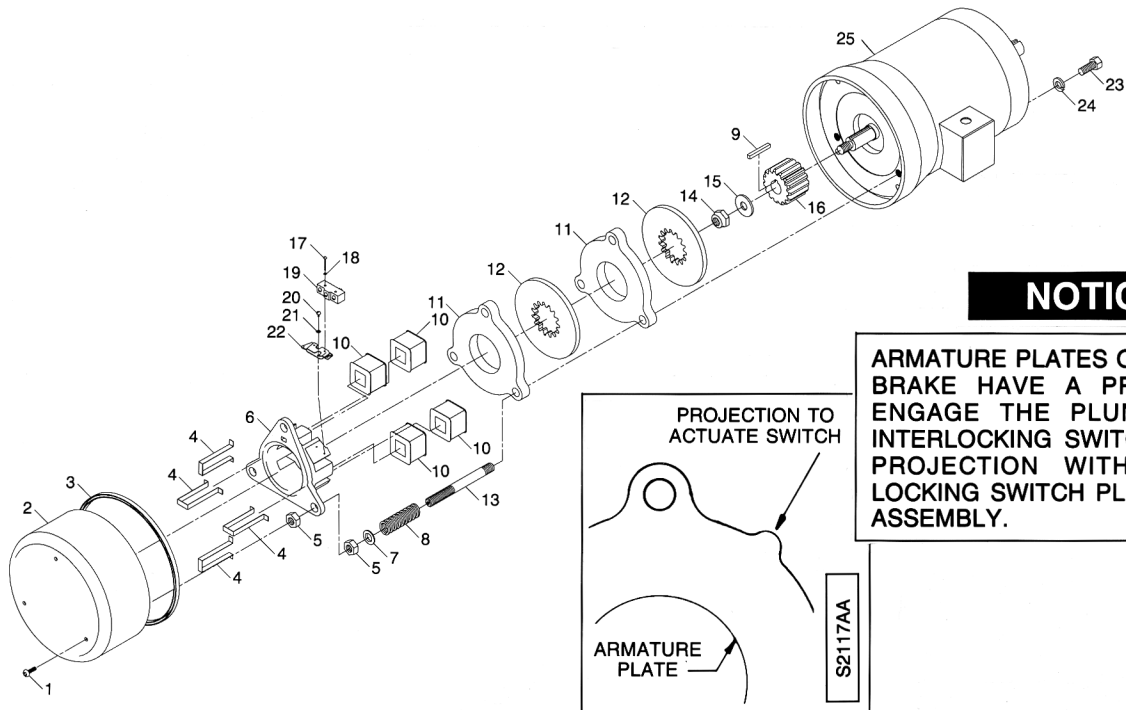
Before installing, removing, inspecting, or performing any maintenance on a hoist, the main switch shall be de-energized. Lock and tag the main switch in the de-energized position in accordance with ANSI Z244.1. Follow other maintenance procedures outlined in this manual and applicable ASME B30 volumes.

Additional WARNINGS are listed in various portions of this manual. Personnel shall read and follow these WARNINGS. Failure to read and comply with these WARNINGS as well as other instructions or any limitations noted in this manual and applicable ASME B30 volumes could result in serious bodily injury or death, and/or property damage.



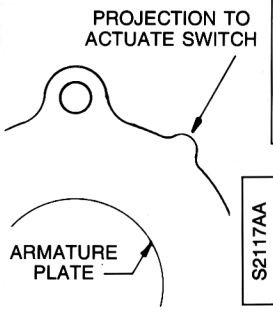
# PARTS LIST – PRODUCT SERIES 33

## HOIST MOTOR BRAKE ASSEMBLY



### NOTICE

ARMATURE PLATES OF THE 45 LB FT BRAKE HAVE A PROJECTION TO ENGAGE THE PLUNGER OF THE INTERLOCKING SWITCH. ALIGN THIS PROJECTION WITH THE INTERLOCKING SWITCH PLUNGER DURING ASSEMBLY.



### HOIST MOTOR BRAKE PARTS

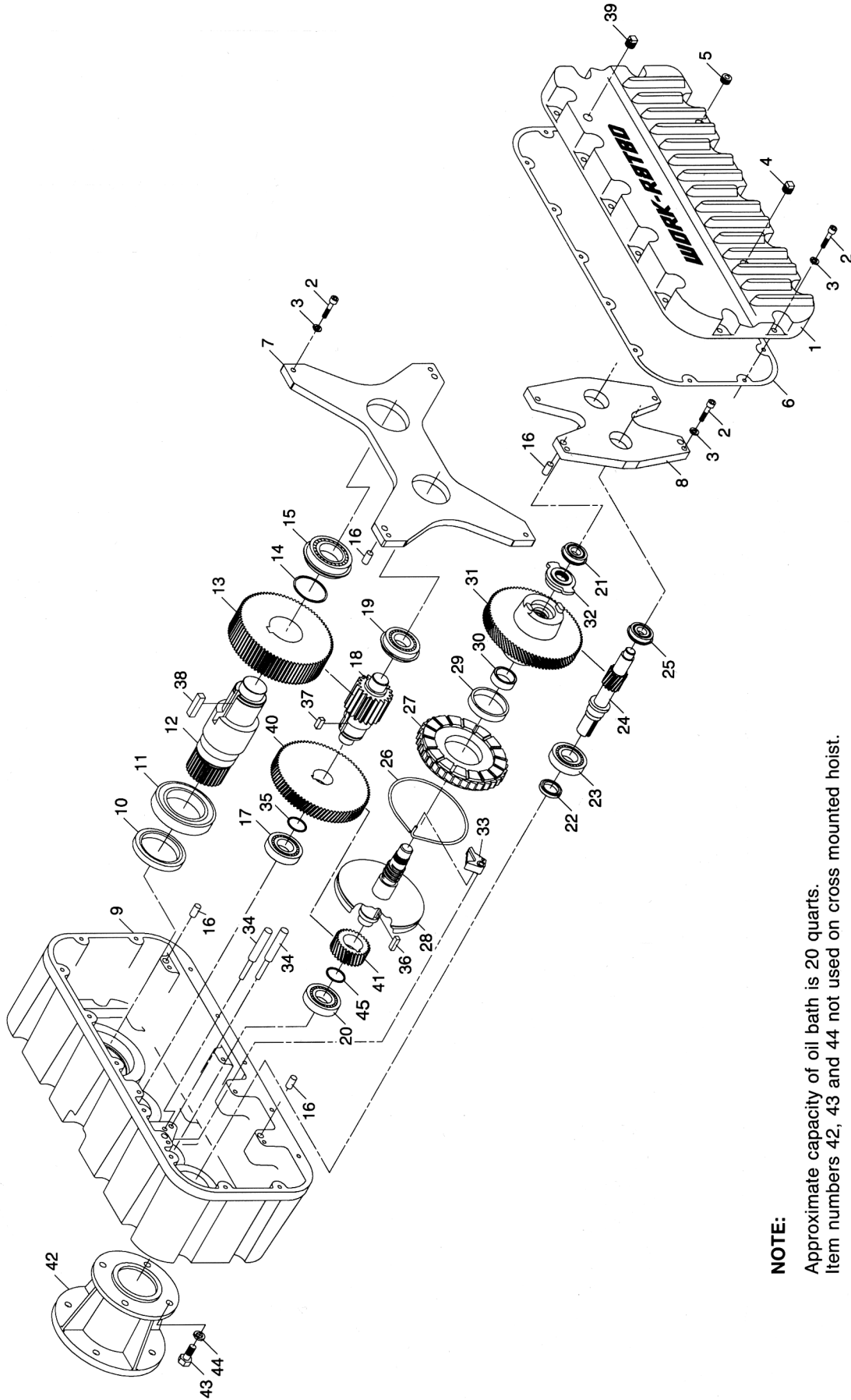
ITEM NO.	DESCRIPTION	QTY	45 LB FT TORQUE (a)	68 LB FT TORQUE (a)
			69757-11	69757-21
			(b) (c) PART NO.	(b) (c) PART NO.
1	Screw, LOC-WELL (d)	3▲	PA7323	PA7323
2	Cover	1	69743-02	69743-03
3	Gasket	3.1ft▲	PA7110	PA7110
4	Coil Strap	(h)	51451	51451
5	Nut, Jam	6	24-10	24-12C
6	Magnet	1	51446	51447
7	Washer	3	PA2714	PA5183
8	Spring	3	PA6077 (e)	PA6275 (e)
9	Key (g)	1	70879	70879
10	Coil	(h)	51452	51452
11	Armature Plate	2	51442	51443
12	Lining Disc	2▲	51438	51439
13	Stud	3	69755	69991
14	Locknut	1▲	PA2434	PA2434
15	Washer	1	15-10-0	15-10-0
16	Hub	1	69968	69990
17	Screw	2	3-06-14	3-06-14
18	Lockwasher	2	19-06	19-06
19	Switch	1	PA6079	PA6079
20	Screw	2	3-08-4	3-08-4
21	Lockwasher	2	19-08C	19-08C
22	Mounting Bracket	1	PA6080	PA6080
23	Bolt	4	(f)	(f)
24	Lockwasher	4	(f)	(f)
25	Motor	1	(f)	(f)

### NOTES:

- (a) On standard hoists, 45 lb. ft. torque brakes are used with single-speed and two-speed 7½ HP motors, and single-speed 10 HP motors; and 68 lb. ft. torque brakes are used with two-speed 10 HP motors.
- (b) Numbers in heading of chart are Hoist Motor Brake Assembly numbers.
- (c) This brake is not used on hoists in Hazardous (Classified) locations as identified by the National Electrical Code.
- (d) Screw with self-locking feature must be utilized. Substitutes are not permissible.
- (e) Springs are color coded. Spring (PA6077) for 45 lb. ft. torque brake is cadmium color. Spring (PA6275) for 68 lb. ft. torque brake is yellow color.
- (f) For part numbers, refer to pages 8 and 9.
- (g) Included with hoist motor. Also available individually.
- (h) Quantity of item 4, coil strap and item 10, coil as follows:  
45 lb. ft. torque brake = 3  
68 lb. ft. torque brake = 4

▲ Recommended Spare Parts

HOIST GEAR HOUSING ASSEMBLY



**NOTE:**

Approximate capacity of oil bath is 20 quarts.  
 Item numbers 42, 43 and 44 not used on cross mounted hoist.

# PARTS LIST – PRODUCT SERIES 33

## HOIST GEAR HOUSING ASSEMBLY

### HOIST GEAR HOUSING PARTS

ITEM NO.	PART NUMBER	DESCRIPTION	QTY/ ASSY
1	69900	Gear Housing Cover	1
2	1-6-20	Bolt, 3/8-16 x 1-1/4	22
3	17-6C	Lockwasher, 3/8	22
4	PA7380	Oil Level Plug	1
5	PA798	Pipe Plug	1
6▲	69907	Gasket	1
7	69908	Output Spider	1
8	69710	Input Spider	1
9	69899	Gear Housing	1
10▲	PA7390	Oil Seat	1
11	PA7389	Bearing	1
12	69952	Drum Shaft	1
13	69912	Drum Gear	1
14	PA7411	Retaining Ring	1
15	PA5870	Bearing	1
16	PA4846	Dowel Pin	4
17	PA6278	Bearing	1
18	69911	Drum Pinion Shaft	1
19	PA7388	Bearing	1
20	PA6563	Bearing	1
21	PA4847	Bearing	1
22▲	PA6567	Oil Seal	1

ITEM NO.	PART NUMBER	DESCRIPTION	QTY/ ASSY
23	PA2389	Bearing	1
24	(a)	Motor Pinion Shaft	1
25	PA7387	Bearing	1
26	55051	Pawl Spring	1
27	54982	Ratchet Unit	1
28	55054	Brake Shaft Unit	1
29	PA6569	Needle Bearing, Outer	1
30	PA6568	Needle Bearing, Inner	1
31	54979	Brake Gear	1
32	54984	Check Sleeve	1
33	40493	Pawl	1
34	69745	Pawl Pin	2
35	PA1269	Retaining Ring	1
36	PA6294	Key	1
37	70004	Key	1
38	70005	Key	1
39	PA7381	Vent Plug	1
40	(b)	Change Gear	1
41	(b)	Change Pinion	1
42	69902	Motor Snout (c)	1
43	35-8-20C	Bolt, 1/2-13 x 1-1/4 (c)	4
44	17-8C	Lockwasher, 1/2 (c)	4
45	PA4053	Retaining Ring	1

▲ Recommended Spare Parts

**NOTE:**

(a) Motor Pinion Shaft part numbers:

Parallel Mounted Hoist ..... 69910

Cross Mounted Hoist ..... 70797 (Stamped with the letter 'X' to help differentiate from 69910.)

(b) Gearing varies with the speed of the hoist. Three gear sets are available, each identified by Gear Housing Assembly No. 69926 with dash number suffix (-01 thru -03 for parallel mounted hoist and -11 thru -13 for cross mounted hoist). Select proper dash number by counting and comparing number of teeth in gear and pinion.

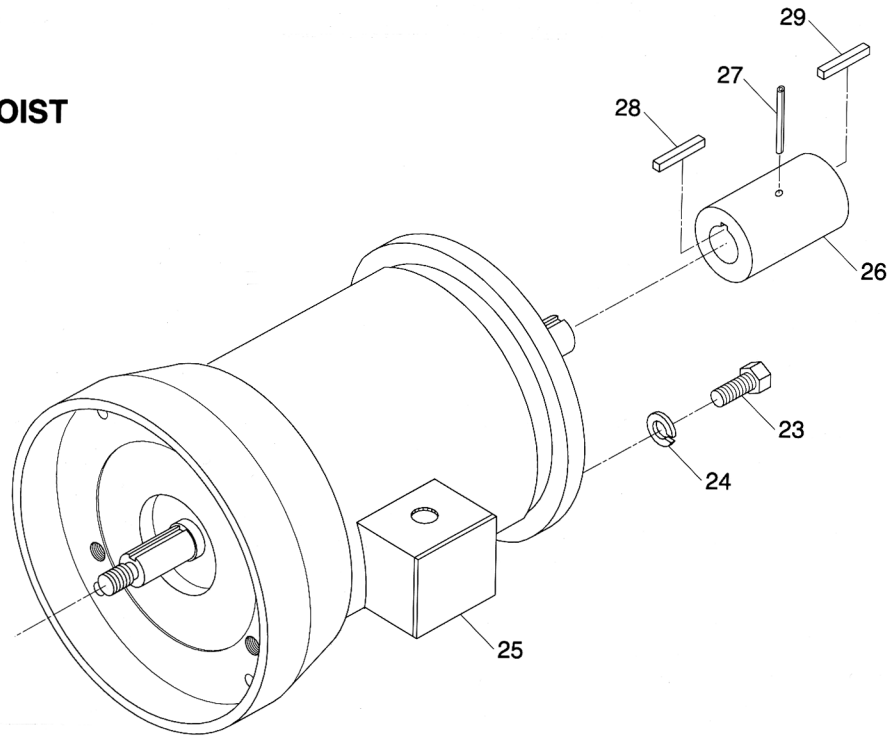
The parts of this assembly that affect the speed of the hoist are items 40 and 41.

GEAR HOUSING ASSEMBLY		69926-01	69926-02	69926-03	PARALLEL MOUNTED HOIST
		69926-11	69926-12	69926-13	CROSS MOUNTED HOIST
LIFTING SPEED (2PS/2PD)		22 FPM	30 FPM	N/A	
LIFTING SPEED (4PS/4PD)		N/A	15 FPM	22 FPM	
ITEM NO.	DESCRIPTION	PART NO.	PART NO.	PART NO.	
40	Gear	69913 (106 teeth)	69914 (98 teeth)	69915 (86 teeth)	
41	Pinion	69918 (33 teeth)	69917 (41 teeth)	69916 (53 teeth)	

(c) Item numbers 42, 43 and 44 not used on cross mounted hoist.

# PARTS LIST – PRODUCT SERIES 33

## HOIST MOTOR PARALLEL MOUNTED HOIST



### HOIST MOTOR PARTS

ITEM NO.	PART NO.	DESCRIPTION	QTY. FRAME 215TC	QTY. FRAME 256TC
23	35-8-20C	Bolt, Hex Head	4	4
24	17-8C	Lockwasher	4	4
25	(b)	Hoist Motor	1	1
26	69925	Coupling	1	0
	69919	Coupling	0	1
27	PA5496	Roll Pin	2	0
	PA5403	Roll Pin	0	1
28	70859	Key (a)	1	0
	70863	Key (a)	0	1
29	71057	Key	1	1

No Recommended Spare Parts

### NOTES:

(a) Included with hoist motor. Also available individually.

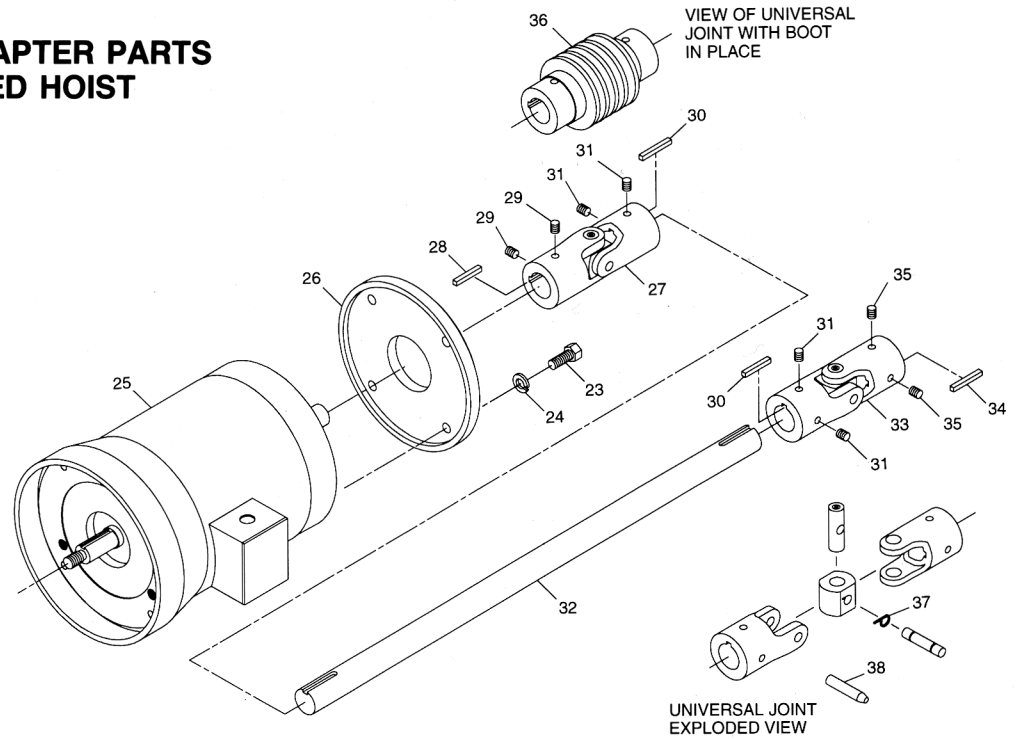
(b) Select standard hoist motor by part number according to motor specifications as follows:

PART NO.	VOLTAGE	HP	RPM	SPEED	FRAME
69777-07	208	7-1/2	1800	Single	215TC
69777-08	230/460				
69777-09	575				
69777-10	208	10			
69777-11	230/460				
69777-12	575				
69778-09	208	7-1/2 / 2-1/2	1800/600	Two	256TC
69778-10	230				
69778-11	460				
69778-12	575				
69778-13	208	10 / 3-1/3			
69778-14	230				
69778-15	460				
69778-16	575				

For other specified special motors, refer to additional information pages supplied with manual.

# PARTS LIST – PRODUCT SERIES 33

## HOIST MOTOR & ADAPTER PARTS CROSS MOUNTED HOIST



### HOIST MOTOR PARTS

ITEM NO.	PART NO.	DESCRIPTION	QTY. FRAME 215TC	QTY. FRAME 256TC
23	35-8-20C	Bolt, Hex Head	4	0
	35-8-28C	Bolt, Hex Head	0	4
24	17-8C	Lockwasher	4	4
25	(b)	Hoist Motor	1	1
26	70796	Motor Adapter	0	1
27	70855	Universal Joint	1	0
	70856	Universal Joint	0	1
28	70859	Key (a)	1	0
	70863	Key (a)	0	1
29	12-7-6	Set Screw	2	0
	12-8-6	Set Screw	0	2
30	70846	Key	2	2
31	12-7-6	Set Screw	4	4
32	(c)	Extension Shaft	1	1
33	70854	Universal Joint	1	1
34	70845	Key	1	1
35	12-6-8	Set Screw	2	2
36	PA7575	Boot Kit (d)	2	2
37▲	PA7576	Lock Ring	(e)	(e)
38▲	70840	Aligning Pin	(f)	(f)

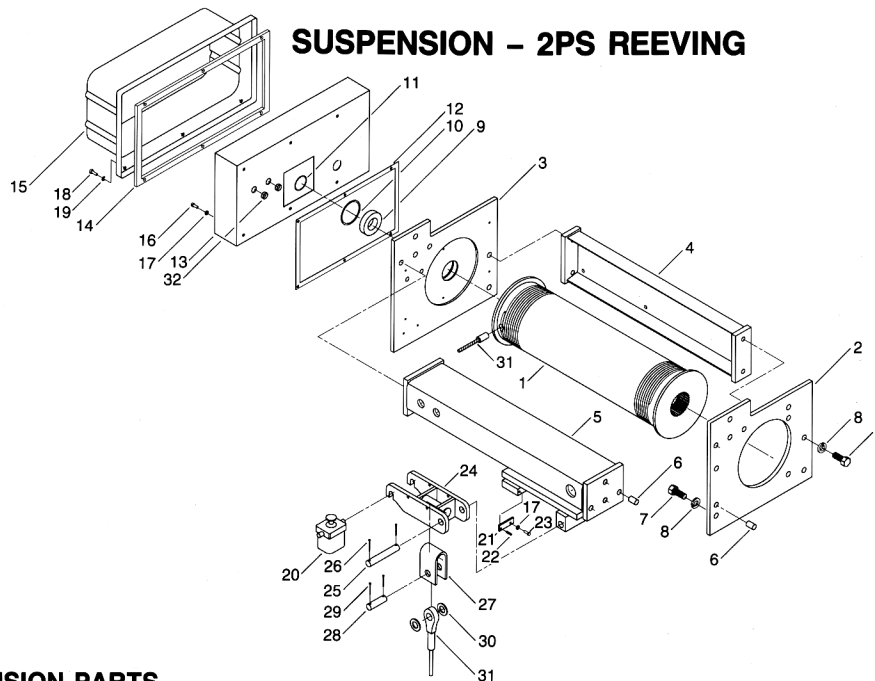
▲ Recommended Spare Parts

### NOTES:

- (a) Included with hoist motor. Also available individually.
- (b) Select standard hoist motor by part number according to motor specifications as listed in note b on page 8. For other specified special motors, refer to additional information pages supplied with manual.
- (c) Varies with drum length. For part number, see Suspension parts lists on pages 15 and 16.
- (d) Kit includes one boot and two ties.
- (e) Included with universal joint. Also available individually. Quantity of one required per joint.
- (f) Not included with hoist. Recommended for re-assembly of universal joint. Used to align parts and spread lock ring.

**THIS PAGE INTENTIONALLY  
LEFT BLANK**

# PARTS LIST – PRODUCT SERIES 33



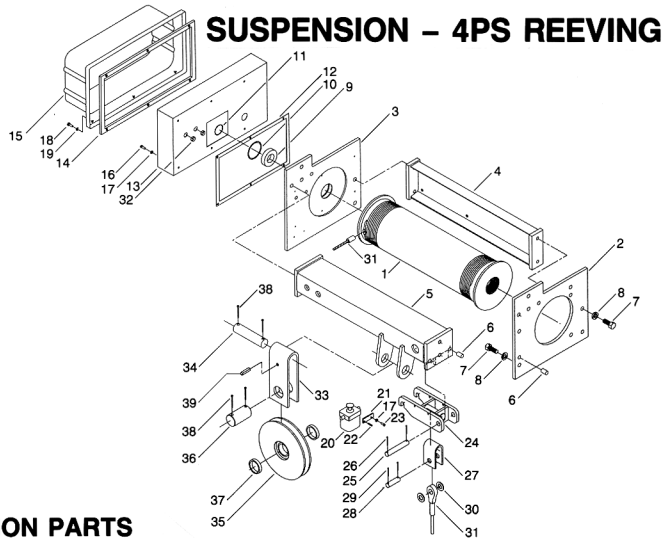
## 2PS SUSPENSION PARTS

ITEM NO.	DESCRIPTION	QTY.	20 FT. LIFT PART NO.	43 FT. LIFT PART NO.	66 FT. LIFT PART NO.	93 FT. LIFT PART NO.	135 FT. LIFT PART NO.	188 FT. LIFT PART NO.
1	Drum, Single Grooving	1	69946-01	69946-02	69946-03	69946-04	69946-05	69946-06
2	End Plate, Gear End	1	69928	69928	69928	69928	69928	69928
3	End Plate, Control End	1	69929	69929	69929	69929	69929	69929
4	Side Frame	1	69941-01	69941-02	69941-03	69941-04	69941-05	69941-06
5	Frame Unit	1	69936-01	69936-02	69936-03	69936-04	69936-05	69936-06
6	Dowel Pin	6	PA7394	PA7394	PA7394	PA7394	PA7394	PA7394
7	Hex Head Bolt	12	35-10-20C	35-10-20C	35-10-20C	35-10-20C	35-10-20C	25-10-20C
8	Lockwasher	12	17-10C	17-10C	17-10C	17-10C	17-10C	17-10C
9	Bearing	1	PA7410	PA7410	PA7410	PA7410	PA7410	PA7410
10	Retaining Ring	1	PA5827	PA5827	PA5827	PA5827	PA5827	PA5827
11	Retaining Ring	1	PA7356	PA7356	PA7356	PA7356	PA7356	PA7356
12	Gasket	1	69927	69927	69927	69927	69927	69927
13	Enclosure	1	69924	69924	69924	69924	69924	69924
14	Gasket	1	58531	58531	58531	58531	58531	58531
15	Cover	1	52823	52823	52823	52823	52823	52823
16	Hex Head Bolt	6	35-4-6C	35-4-6C	35-4-6C	35-4-6C	35-4-6C	35-4-6C
17	Lockwasher	7	17-4C	17-4C	17-4C	17-4C	17-4C	17-4C
18	Captive Screw	6	58597	58597	58597	58597	58597	58597
19	Retaining Ring	6	PA6634	PA6634	PA6634	PA6634	PA6634	PA6634
20	Overload Cut-off 3 Ton	1	39169-04	39169-04	39169-04	39169-04	39169-04	39169-04
20	Overload Cut-off 5 Ton	1	39170-04	39170-04	39170-04	39170-04	39170-04	39170-04
21	Keeper Plate	1	53219	53219	53219	53219	53219	53219
22	Roll Pin	1	PA4607	PA4607	PA4607	PA4607	PA4607	PA4607
23	Hex Head Bolt	1	35-4-8C	35-4-8C	35-4-8C	35-4-8C	35-4-8C	35-4-8C
24	Rope End Mounting Unit	1	69753	69753	69753	69753	69753	69753
25	Pin	1	69717	69717	69717	69717	69717	69717
26	Cotter Pin	2	PA1364	PA1364	PA1364	PA1364	PA1364	PA1364
27	Rope Hanger	1	69966	69966	69966	69966	69966	69966
28	Pin	1	69967	69967	69967	69967	69967	69967
29	Cotter Pin	2	PA1771	PA1771	PA1771	PA1771	PA1771	PA1771
30	Washer	2	15-16-1C	15-16-1C	15-16-1C	15-16-1C	15-16-1C	15-16-1C
31	Wire Rope Assembly (a)	1▲	69948-01	69948-02	69948-03	69948-04	69948-05	69948-06
32	Grommet	2	PA7409	PA7409	PA7409	P7409	P7409	P7409

▲ Recommended Spare Parts

**NOTE:** (a) Part numbers shown for Item 31, Wire Rope Assembly, are for standard hoists using ½ dia. 6x37 XIP wire rope. For special hoists using other size or type wire rope, refer to the wire rope part number listed in additional pages included with this manual; or contact Acco Chain & Lifting Products or the distributor of the hoist.

# PARTS LIST – PRODUCT SERIES 33



## 4PS SUSPENSION PARTS

ITEM NO.	DESCRIPTION	QTY.	24 FT. LIFT PART NO.	38 FT. LIFT PART NO.	59 FT. LIFT PART NO.	85 FT. LIFT PART NO.
1	Drum, Single Grooving	1	69946-03	69946-04	69946-05	69946-06
2	End Plate, Gear End	1	69928	69928	69928	69928
3	End Plate, Control End	1	69929	69929	69929	69929
4	Side Frame	1	69941-03	69941-04	69941-05	69941-06
5	Frame Unit	1	69938-03	69938-04	69938-05	69938-06
6	Dowel Pin	6	PA7394	PA7394	PA7394	PA7394
7	Hex Head Bolt	12	35-10-20C	35-10-20C	35-10-20C	35-10-20C
8	Lockwasher	12	17-10C	17-10C	17-10C	17-10C
9	Bearing	1	PA7410	PA7410	PA7410	PA7410
10	Retaining Ring	1	PA5827	PA5827	PA5827	PA5827
11	Retaining Ring	1	PA7356	PA7356	PA7356	PA7356
12	Gasket	1	69927	69927	69927	69927
13	Enclosure	1	69924	69924	69924	69924
14	Gasket	1	58531	58531	58531	58531
15	Cover	1	52823	52823	52823	52823
16	Hex Head Bolt	6	35-4-6C	35-4-6C	35-4-6C	35-4-6C
17	Lockwasher	7	17-4C	17-4C	17-4C	17-4C
18	Captive Screw	6	58597	58597	58597	58597
19	Retaining Ring	6	PA6634	PA6634	PA6634	PA6634
20	Overload Cut-off 7½ Ton	1	39169-04	39169-04	39169-04	39169-04
20	Overload Cut-off 10 Ton	1	39170-04	39170-04	39170-04	39170-04
21	Keeper Plate	1	53219	53219	53219	53219
22	Roll Pin	1	PA4607	PA4607	PA4607	PA4607
23	Hex Head Bolt	1	35-4-8C	35-4-8C	35-4-8C	35-4-8C
24	Rope End Mounting Unit	1	69753	69753	69753	69753
25	Pin	1	69717	69717	69717	69717
26	Cotter Pin	2	PA1364	PA1364	PA1364	PA1364
27	Rope Hanger	1	69966	69966	69966	69966
28	Pin	1	69967	69967	69967	69967
29	Cotter Pin	2	PA1771	PA1771	PA1771	PA1771
30	Washer	2	15-16-1C	15-16-1C	15-16-1C	15-16-1C
31	Wire Rope Assembly (a)	1▲	69948-13	69948-14	69948-15	69948-16
32	Grommet	2	PA7409	PA7409	PA7409	PA7409
33	Sheave Hanger	1	69961	69961	69961	69961
34	Pin	1	69962	69962	69962	69962
35	Polyamide Sheave with Bearing	1	69567	69567	69567	69567
35	Steel Sheave with Bearing	1	69568	69568	69568	69568
36	Pin	1	69963	69963	69963	69963
37	Spacer	2	69569-02	69569-02	69569-02	69569-02
38	Cotter Pin	4	PA1805	PA1805	PA1805	PA1805
39	Pin	1	PA3713	PA3713	PA3713	PA3713

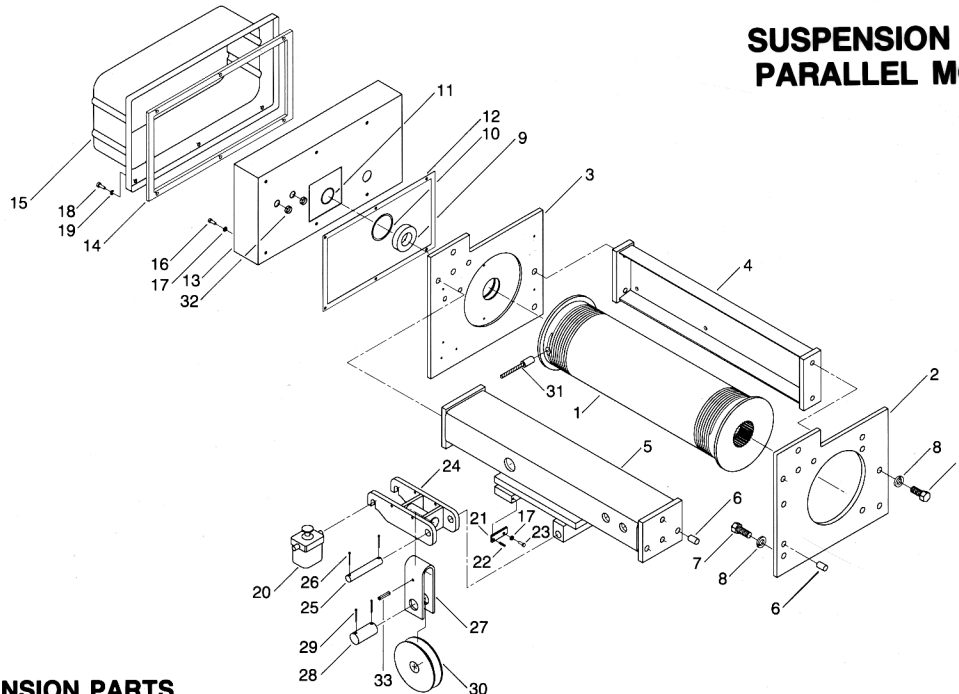
▲ Recommended Spare Parts

**NOTE:** (a) Part numbers shown for Item 31, Wire Rope Assembly, are for standard hoists using ½ dia. 6x37 XIP wire rope. For special hoists using other size or type wire rope, refer to the wire rope part number listed in additional pages included with this manual; or contact Acco Chain & Lifting Products or the distributor of the hoist.



# PARTS LIST – PRODUCT SERIES 33

## SUSPENSION – 2PD REEVING PARALLEL MOUNTED HOIST



### 2PD SUSPENSION PARTS

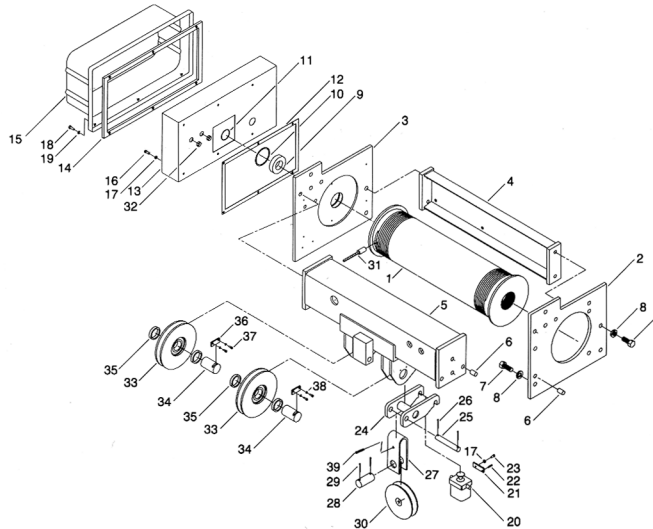
ITEM NO.	DESCRIPTION	QTY.	20 FT. LIFT PART NO.	36 FT. LIFT PART NO.	54 FT. LIFT PART NO.	82 FT. LIFT PART NO.	118 FT. LIFT PART NO.
1	Drum, Double Grooving	1	69947-02	69947-03	69947-04	69947-05	69947-06
2	End Plate, Gear End	1	69928	69928	69928	69928	69928
3	End Plate, Control End	1	69929	69929	69929	69929	69929
4	Side Frame	1	69941-02	69941-03	69941-04	69941-05	69941-06
5	Frame Unit	1	69937-02	69937-03	69937-04	69937-05	69937-06
6	Dowel Pin	6	PA7394	PA7394	PA7394	PA7394	PA7394
7	Hex Head Bolt	12	35-10-20C	35-10-20C	35-10-20C	35-10-20C	35-10-20C
8	Lockwasher	12	17-10C	17-10C	17-10C	17-10C	17-10C
9	Bearing	1	PA7410	PA7410	PA7410	PA7410	PA7410
10	Retaining Ring	1	PA5827	PA5827	PA5827	PA5827	PA5827
11	Retaining Ring	1	PA7356	PA7356	PA7356	PA7356	PA7356
12	Gasket	1	69927	69927	69927	69927	69927
13	Enclosure	1	69924	69924	69924	69924	69924
14	Gasket	1	58531	58531	58531	58531	58531
15	Cover	1	52823	52823	52823	52823	52823
16	Hex Head Bolt	6	35-4-6C	35-4-6C	35-4-6C	35-4-6C	35-4-6C
17	Lockwasher	7	17-4C	17-4C	17-4C	17-4C	17-4C
18	Captive Screw	6	58597	58597	58597	58597	58597
19	Retaining Ring	6	PA6634	PA6634	PA6634	PA6634	PA6634
20	Overload Cut-off 3 Ton	1	39169-04	39169-04	39169-04	39169-04	39169-04
20	Overload Cut-off 5 Ton	1	39170-04	39170-04	39170-04	39170-04	39170-04
21	Keeper Plate	1	53219	53219	53219	53219	53219
22	Roll Pin	1	PA4607	PA4607	PA4607	PA4607	PA4607
23	Hex Head Bolt	1	35-4-8C	35-4-8C	35-4-8C	35-4-8C	35-4-8C
24	Sheave Mounting Unit	1	69753	69753	69753	69753	69753
25	Pin	1	69717	69717	69717	69717	69717
26	Cotter Pin	2	PA1364	PA1364	PA1364	PA1364	PA1364
27	Sheave Hanger	1	69731	69731	69731	69731	69731
28	Pin	1	69747	69747	69747	69747	69747
29	Cotter Pin	2	PA1771	PA1771	PA1771	PA1771	PA1771
30	Polyamide Equalizing Sheave	1	69746	69746	69746	69746	69746
30	Steel Equalizing Sheave	1	69775	69775	69775	69775	69775
31	Wire Rope Assembly (a)	1▲	69728-12	69728-13	69728-14	69728-15	69728-16
32	Grommet	2	PA7409	PA7409	PA7409	PA7409	PA7409
33	Pin	1	PA5342	PA5342	PA5342	PA5342	PA5342

#### ▲ Recommended Spare Parts

**NOTE:** (a) Part numbers shown for Item 31, Wire Rope Assembly, are for standard hoists using 3/8 dia. 6x37 XIP wire rope. For special hoists using other size or type wire rope, refer to the wire rope part number listed in additional pages included with this manual; or contact Acco Chain & Lifting Products or the distributor of the hoist.

# PARTS LIST – PRODUCT SERIES 33

## SUSPENSION – 4PD REEVING PARALLEL MOUNTED HOIST



### 4PD SUSPENSION PARTS

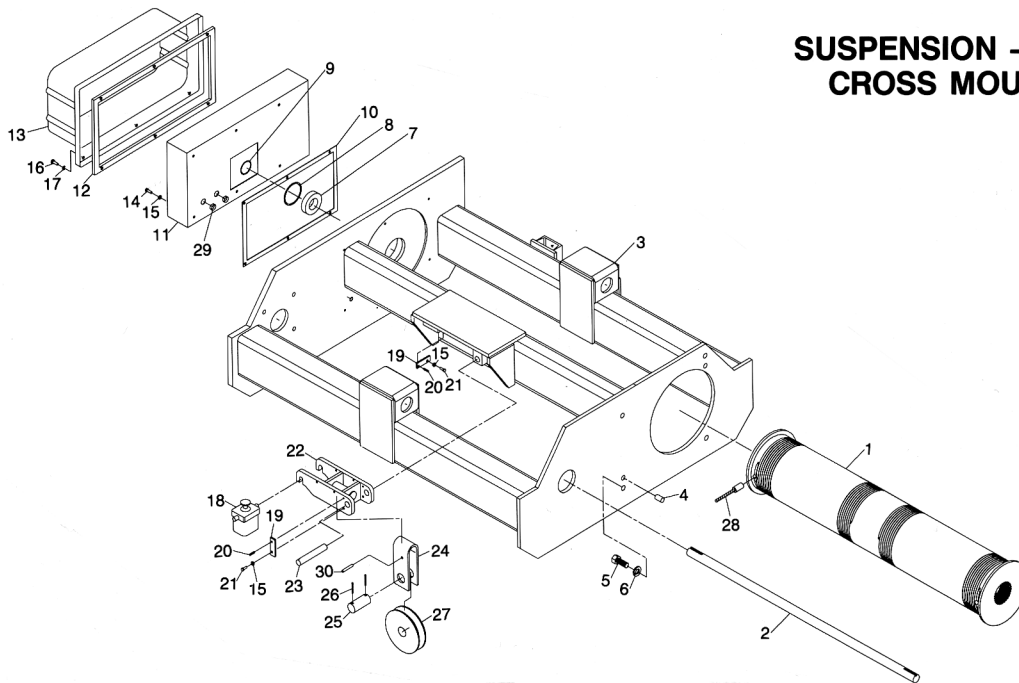
ITEM NO.	DESCRIPTION	QTY.	22 FT. LIFT PART NO.	36 FT. LIFT PART NO.	54 FT. LIFT PART NO.
1	Drum, Double Grooving	1	69947-04	69947-05	69947-06
2	End Plate, Gear End	1	69928	69928	69928
3	End Plate, Control End	1	69929	69929	69929
4	Side Frame	1	69941-04	69941-05	69941-06
5	Frame Unit	1	69939-04	69939-05	69939-06
6	Dowel Pin	6	PA7394	PA7394	PA7394
7	Hex Head Bolt	12	35-10-20C	35-10-20C	35-10-20C
8	Lockwasher	12	17-10C	17-10C	17-10C
9	Bearing	1	PA7410	PA7410	PA7410
10	Retaining Ring	1	PA5827	PA5827	PA5827
11	Retaining Ring	1	PA7356	PA7356	PA7356
12	Gasket	1	69927	69927	69927
13	Enclosure	1	69924	69924	69924
14	Gasket	1	58531	58531	58531
15	Cover	1	52823	52823	52823
16	Hex Head Bolt	6	35-4-6C	35-4-6C	35-4-6C
17	Lockwasher	7	17-4C	17-4C	17-4C
18	Captive Screw	6	58597	58597	58597
19	Retaining Ring	6	PA6634	PA6634	PA6634
20	Overload Cut-off 7½ Ton	1	39169-04	39169-04	39169-04
20	Overload Cut-off 10 Ton	1	39170-04	39170-04	39170-04
21	Keeper Plate	1	53219	53219	53219
22	Roll Pin	1	PA4607	PA4607	PA4607
23	Hex Head Bolt	1	35-4-8C	35-4-8C	35-4-8C
24	Sheave Mounting Unit	1	69959	69959	69959
25	Pin	1	69717	69717	69717
26	Cotter Pin	2	PA1364	PA1364	PA1364
27	Sheave Hanger	1	69731	69731	69731
28	Pin	1	69747	69747	69747
29	Cotter Pin	2	PA1771	PA1771	PA1771
30	Polyamide Equalizing Sheave	1	69746	69746	69746
30	Steel Equalizing Sheave	1	69775	69775	69775
31	Wire Rope Assembly (a)	1▲	69728-24	69728-25	69728-26
32	Grommet	2	PA7409	PA7409	PA7409
33	Polyamide Running Sheave with Bearing	2	69561	69561	69561
33	Steel Running Sheave with Bearing	2	69562	69562	69562
34	Axle	2	69678-02	69678-02	69678-02
35	Spacer	4	69563-03	69563-03	69563-03
36	Keeper Plate	2	50733	50733	50733
37	Screw	4	1-01-8	1-01-8	1-01-8
38	Lockwasher	4	17-010C	17-010C	17-010C
39	Pin	1	PA5342	PA5342	PA5342

### ▲ Recommended Spare Parts

**NOTE:** (a) Part numbers shown for Item 31, Wire Rope Assembly, are for standard hoists using 3/8 dia. 6x37 XIP wire rope. For special hoists using other size or type wire rope, refer to the wire rope part number listed in additional pages included with this manual; or contact Acco Chain & Lifting Products or the distributor of the hoist.

# PARTS LIST – PRODUCT SERIES 33

## SUSPENSION – 2PD REEVING CROSS MOUNTED HOIST



### 2PD SUSPENSION PARTS

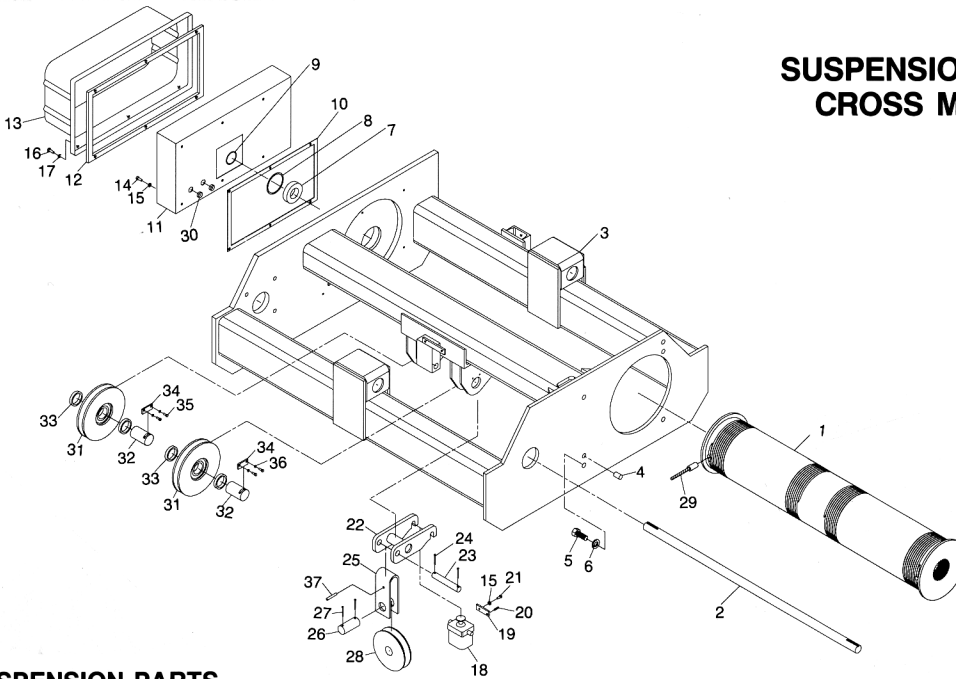
ITEM NO.	DESCRIPTION	QTY.	20 FT. LIFT PART NO.	36 FT. LIFT PART NO.	54 FT. LIFT PART NO.	82 FT. LIFT PART NO.
1	Drum, Double Grooving	1	69947-02	69947-03	69947-04	69947-05
2	Extension Shaft	1	70798-02	70798-03	70798-04	70799-05
3	Frame Unit (b)	1	70794-02	70794-03	70794-04	70794-05
4	Dowel Pin	2	PA7394	PA7394	PA7394	PA7394
5	Hex Head Bolt	4	35-10-20C	35-10-20C	35-10-20C	35-10-20C
6	Lockwasher	4	17-10C	17-10C	17-10C	17-10C
7	Bearing	1	PA7410	PA7410	PA7410	PA7410
8	Retaining Ring	1	PA5827	PA5827	PA5827	PA5827
9	Retaining Ring	1	PA7356	PA7356	PA7356	PA7356
10	Gasket	1	69927	69927	69927	69927
11	Enclosure	1	69924	69924	69924	69924
12	Gasket	1	58531	58531	58531	58531
13	Cover	1	52823	52823	52823	52823
14	Hex Head Bolt	6	35-4-6C	35-4-6C	35-4-6C	35-4-6C
15	Lockwasher	8	17-4C	17-4C	17-4C	17-4C
16	Captive Screw	6	58597	58597	58597	58597
17	Retaining Ring	6	PA6634	PA6634	PA6634	PA6634
18	Overload Cut-off 3 Ton	1	39169-04	39169-04	39169-04	39169-04
18	Overload Cut-off 5 Ton	1	39170-04	39170-04	39170-04	39170-04
19	Keeper Plate	2	53219	53219	53219	53219
20	Roll Pin	2	PA4607	PA4607	PA4607	PA4607
21	Hex Head Bolt	2	35-4-8C	35-4-8C	35-4-8C	35-4-8C
22	Sheave Mounting Unit	1	69753	69753	69753	69753
23	Pin	1	70839	70839	70839	70839
24	Sheave Hanger	1	69731	69731	69731	69731
25	Pin	1	69747	69747	69747	69747
26	Cotter Pin	2	PA1771	PA1771	PA1771	PA1771
27	Polyamide Equalizing Sheave	1	69746	69746	69746	69746
27	Steel Equalizing Sheave	1	69775	69775	69775	69775
28	Wire Rope Assembly (a)	1▲	69728-12	69728-13	69728-14	69728-15
29	Grommet	2	PA7409	PA7409	PA7409	PA7409
30	Pin	1	PA5342	PA5342	PA5342	PA5342

#### ▲ Recommended Spare Parts

- NOTE:** (a) Part numbers shown for Item 28, Wire Rope Assembly, are for standard hoists using 3/8 dia. 6x37 XIP wire rope. For special hoists using other size or type wire rope, refer to the wire rope part number listed in additional pages included with this manual; or contact Acco Chain & Lifting Products or the distributor of the hoist.
- (b) Use of Swivel Trolleys requires different Frame Unit. See page 48.

# PARTS LIST – PRODUCT SERIES 33

## SUSPENSION – 4PD REEVING CROSS MOUNTED HOIST



### 4PD SUSPENSION PARTS

ITEM NO.	DESCRIPTION	QTY.	22 FT. LIFT PART NO.	36 FT. LIFT PART NO.
1	Drum, Double Grooving	1	69947-04	69947-05
2	Extension Shaft	1	70798-04	70799-05
3	Frame Unit (b)	1	70804-04	70911-05
4	Dowel Pin	2	PA7394	PA7394
5	Hex Head Bolt	4	35-10-20C	35-10-20C
6	Lockwasher	4	17-10C	17-10C
7	Bearing	1	PA7410	PA7410
8	Retaining Ring	1	PA5827	PA5827
9	Retaining Ring	1	PA7356	PA7356
10	Gasket	1	69927	69927
11	Enclosure	1	69924	69924
12	Gasket	1	58531	58531
13	Cover	1	52823	52823
14	Hex Head Bolt	6	35-4-6C	35-4-6C
15	Lockwasher	7	17-4C	17-4C
16	Captive Screw	6	58597	58597
17	Retaining Ring	6	PA6634	PA6634
18	Overload Cut-off 7½ Ton	1	39169-04	39169-04
18	Overload Cut-off 10 Ton	1	39170-04	39170-04
19	Keeper Plate	1	53219	53219
20	Roll Pin	1	PA4607	PA4607
21	Hex Head Bolt	1	35-4-8C	35-4-8C
22	Sheave Mounting Unit	1	69959	69959
23	Pin	1	69717	69717
24	Cotter Pin	2	PA1364	PA1364
25	Sheave Hanger	1	69731	69731
26	Pin	1	69747	69747
27	Cotter Pin	2	PA1771	PA1771
28	Polyamide Equalizing Sheave	1	69746	69746
28	Steel Equalizing Sheave	1	69775	69775
29	Wire Rope Assembly (a)	1▲	69728-24	69728-25
30	Grommet	2	PA7409	PA7409
31	Polyamide Running Sheave with Bearing	2	69561	69561
31	Steel Running Sheave with Bearing	2	69562	69562
32	Axle	2	69678-02	69678-02
33	Spacer	4	69563-03	69563-03
34	Keeper Plate	2	50733	50733
35	Screw	4	1-01-8	1-01-8
36	Lockwasher	4	17-010C	17-010C
37	Pin	1	PA5342	PA5342

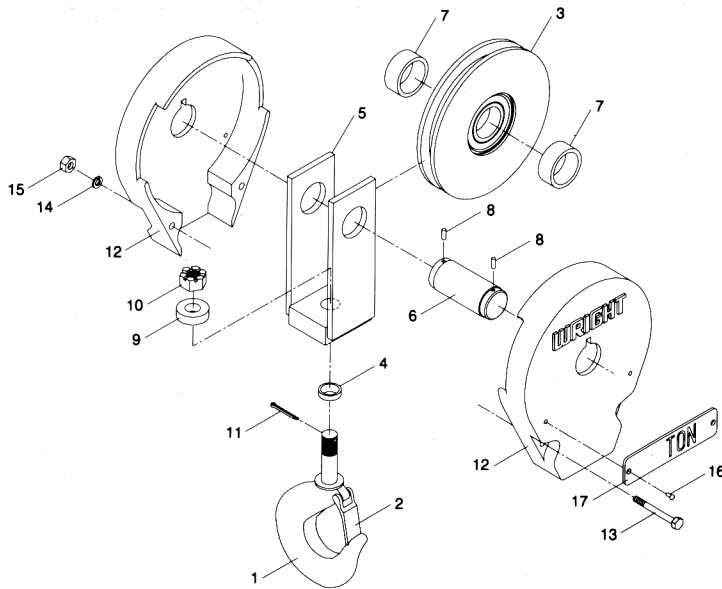
### NOTE:

- (a) Part numbers shown for Item 29, Wire Rope Assembly, are for standard hoists using 3/8 dia. 6x37 XIP wire rope. For special hoists using other size or type wire rope, refer to the wire rope part number listed in additional pages included with this manual; or contact Acco Chain & Lifting Products or the distributor of the hoist.
- (b) Use of Swivel Trolleys requires different Frame Unit. See page 48.

▲ Recommended Spare Parts

# PARTS LIST – PRODUCT SERIES 33

## LOAD BLOCK – 2PS REEVING 1/2" ROPE DIAMETER



- Load Block Assembly 69551-01 - Steel Spring Latch Type Hook, Polyamide Sheave
- Load Block Assembly 69551-02 - Bullard Swivel Latch Type Hook, Polamide Sheave
- Load Block Assembly 69551-03 - Bronze Spring Latch Type Hook, Polyamide Sheave
- Load Block Assembly 69551-04 - Steel Spring Latch Type Hook, Steel Sheave
- Load Block Assembly 69551-05 - Bullard Swivel Latch Type Hook, Steel Sheave
- Load Block Assembly 69551-06 - Bronze Spring Latch Type Hook, Steel Sheave

### LOAD BLOCK PARTS

ITEM NO.	DESCRIPTION	QTY	STEEL SPRING LATCH TYPE HOOK	BULLARD SWIVEL LATCH TYPE HOOK	BRONZE SPRING LATCH TYPE HOOK
1	Hook without hole in tip	1	41732 (a)	41794	42643 (a)
1	Hook with hole in tip	1	70892 (a)	N/A	70900 (a)
2	Latch for hook without hole in tip	1	PA5325 (a)	N/A	PA5327 (a)
2	Latch for hook with hole in tip	1	PA7582 (a)	N/A	PA7583 (a)
3	Polyamide Sheave with Bearing	1	69567	69567	69567
3	Steel Sheave with Bearing	1	69568	69568	69568
4	Spacer	1	N/A	41797	N/A
5	Frame	1	69565	69565	69565
6	Axle	1	69566	69566	69566
7	Spacer	2	69569	69569	69569
8	Roll Pin	2	PA4607	PA4607	PA4607
9	Thrust Bearing	1	PA1082	PA1082	PA1082
10	Slotted Hex Nut	1	26-20	26-20	26-20
11	Cotter Pin	1	PA1771	PA1771	PA1771
12	Cover	2	50724	50724	50724
13	Hex Head Bolt	2	35-6-48	35-6-48	35-6-48
14	Lockwasher	2	17-6C	17-6C	17-6C
15	Hex Nut	2	24-6	24-6	24-6
16	Drive Screw	4	PA893	PA893	PA893
17	Capacity Plate	2	(b)	(b)	(b)

No Recommended Spare Parts

### NOTES:

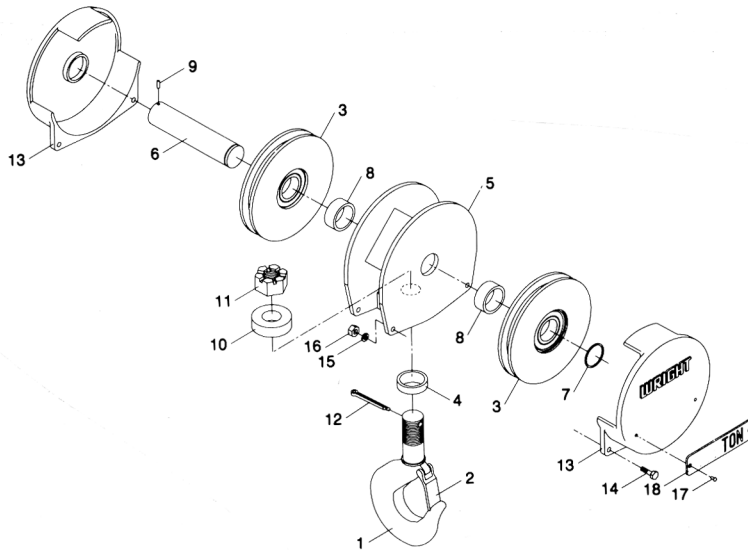
(a) Current style Spring Latch Hooks are being phased out by Acco's supplier. The new style Spring Latch Hooks have a hole in the tip of the hook. This hole allows the addition of a cotter pin to prevent the latch from opening. Cotter pin is not supplied by Acco. New style hooks are interchangeable with old style hooks, but new style hooks have a thicker cross section. Latches are not interchangeable between the two style hooks. As soon as stock of current style hook is depleted, current style hook will no longer be available. Latches for current style hooks will continue to be available. When ordering, identify whether or not hook has a hole in the tip and select part numbers accordingly from the above chart.

(b) Capacity Plate part numbers:

- 3 Ton – 69683-030    3 tonne – 69683-1030
- 5 Ton – 69683-050    5 tonne – 69683-1050

# PARTS LIST – PRODUCT SERIES 33

## LOAD BLOCK – 4PS REEVING 1/2" ROPE DIAMETER



- Load Block Assembly 69555-01 - Steel Spring Latch Type Hook, Polyamide Sheave
- Load Block Assembly 69555-02 - Bullard Swivel Latch Type Hook, Polamide Sheave
- Load Block Assembly 69555-03 - Bronze Spring Latch Type Hook, Polyamide Sheave
- Load Block Assembly 69555-04 - Steel Spring Latch Type Hook, Steel Sheave
- Load Block Assembly 69555-05 - Bullard Swivel Latch Type Hook, Steel Sheave
- Load Block Assembly 69555-06 - Bronze Spring Latch Type Hook, Steel Sheave

### LOAD BLOCK PARTS

ITEM NO.	DESCRIPTION	QTY	STEEL SPRING LATCH TYPE HOOK	BULLARD SWIVEL LATCH TYPE HOOK	BRONZE SPRING LATCH TYPE HOOK
1	Hook without hole in tip	1	58012 (a)	58013	58014 (a)
1	Hook with hole in tip	1	70893 (a)	N/A	70901 (a)
2	Latch for hook without hole in tip	1	PA5327 (a)	N/A	PA5329 (a)
2	Latch for hook with hole in tip	1	PA7583 (a)	N/A	PA7585 (a)
3	Polyamide Sheave with Bearing	2	69567	69567	69567
3	Steel Sheave with Bearing	2	69568	69568	69568
4	Spacer	0	N/A	N/A	N/A
5	Frame	1	69591	69591	69591
6	Axle	1	69592	69592	69592
7	Retaining Ring	1	PA6941	PA6941	PA6941
8	Spacer	2	69569	69569	69569
9	Roll Pin	1	PA4607	PA4607	PA4607
10	Thrust Bearing	1	PA5832	PA5832	PA5832
11	Slotted Hex Nut	1	26-24	26-24	26-24
12	Cotter Pin	1	PA1932	PA1932	PA1932
13	Cover	2	69594	69594	69594
14	Hex Head Bolt	4	35-6-32	35-6-32	35-6-32
15	Lockwasher	4	17-6C	17-6C	17-6C
16	Hex Nut	4	22-6	22-6	22-6
17	Drive Screw	4	PA893	PA893	PA893
18	Capacity Plate	2	(b)	(b)	(b)

No Recommended Spare Parts

### NOTES:

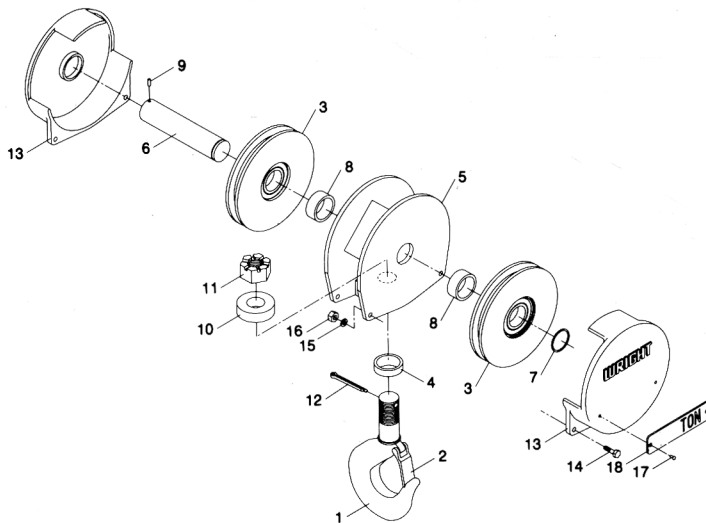
(a) Current style Spring Latch Hooks are being phased out by Acco's supplier. The new style Spring Latch Hooks have a hole in the tip of the hook. This hole allows the addition of a cotter pin to prevent the latch from opening. Cotter pin is not supplied by Acco. New style hooks are interchangeable with old style hooks, but new style hooks have a thicker cross section. Latches are not interchangeable between the two style hooks. As soon as stock of current style hook is depleted, current style hook will no longer be available. Latches for current style hooks will continue to be available. When ordering, identify whether or not hook has a hole in the tip and select part numbers accordingly from the above chart.

(b) Capacity Plate part numbers:

- 7½ Ton – 69683-075    7½ tonne – 69683-1075
- 10 Ton – 69683-100    10 tonne – 69683-1100

# PARTS LIST – PRODUCT SERIES 33

## LOAD BLOCK – 2PD REEVING 3/8" ROPE DIAMETER



- Load Block Assembly 69554-01 - Steel Spring Latch Type Hook, Polyamide Sheave
- Load Block Assembly 69554-02 - Bullard Swivel Latch Type Hook, Polamide Sheave
- Load Block Assembly 69554-03 - Bronze Spring Latch Type Hook, Polyamide Sheave
- Load Block Assembly 69554-04 - Steel Spring Latch Type Hook, Steel Sheave
- Load Block Assembly 69554-05 - Bullard Swivel Latch Type Hook, Steel Sheave
- Load Block Assembly 69554-06 - Bronze Spring Latch Type Hook, Steel Sheave

### LOAD BLOCK PARTS

ITEM NO.	DESCRIPTION	QTY	STEEL SPRING LATCH TYPE HOOK	BULLARD SWIVEL LATCH TYPE HOOK	BRONZE SPRING LATCH TYPE HOOK
1	Hook without hole in tip	1	41732 (a)	41794	42643 (a)
1	Hook with hole in tip	1	70892 (a)	N/A	70900 (a)
2	Latch for hook without hole in tip	1	PA5325 (a)	N/A	PA5327 (a)
2	Latch for hook with hole in tip	1	PA7582 (a)	N/A	PA7583 (a)
3	Polyamide Sheave with Bearing	2	69561	69561	69561
3	Steel Sheave with Bearing	2	69562	69562	69562
4	Spacer	1	N/A	41797	N/A
5	Frame	1	69586	69586	69586
6	Axle	1	69587	69587	69587
7	Retaining Ring	1	PA7349	PA7349	PA7349
8	Spacer	2	69563	69563	69563
9	Roll Pin	1	PA4607	PA4607	PA4607
10	Thrust Bearing	1	PA1082	PA1082	PA1082
11	Slotted Hex Nut	1	26-20	26-20	26-20
12	Cotter Pin	1	PA1771	PA1771	PA1771
13	Cover	2	69589	69589	69589
14	Hex Head Bolt	4	35-5-20	35-5-20	35-5-20
15	Lockwasher	4	17-5C	17-5C	17-5C
16	Hex Nut	4	22-5C	22-5C	22-5C
17	Drive Screw	4	PA893	PA893	PA893
18	Capacity Plate	2	(b)	(b)	(b)

No Recommended Spare Parts

### NOTES:

(a) Current style Spring Latch Hooks are being phased out by Acco's supplier. The new style Spring Latch Hooks have a hole in the tip of the hook. This hole allows the addition of a cotter pin to prevent the latch from opening. Cotter pin is not supplied by Acco. New style hooks are interchangeable with old style hooks, but new style hooks have a thicker cross section. Latches are not interchangeable between the two style hooks. As soon as stock of current style hook is depleted, current style hook will no longer be available. Latches for current style hooks will continue to be available. When ordering, identify whether or not hook has a hole in the tip and select part numbers accordingly from the above chart.

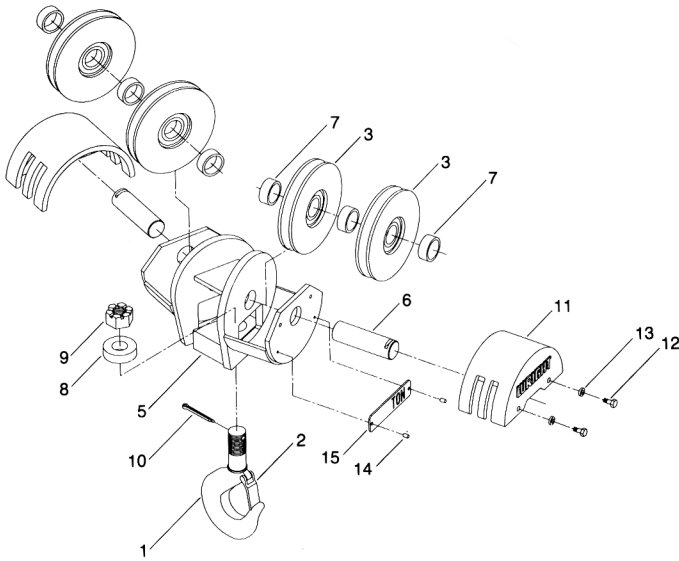
(b) Capacity Plate part numbers:

- 3 Ton – 69683-030    3 tonne – 69683-1030
- 5 Ton – 69683-050    5 tonne – 69683-1050



# PARTS LIST – PRODUCT SERIES 33

## LOAD BLOCK – 4PD REEVING 3/8" ROPE DIAMETER



- Load Block Assembly 69558-01 - Steel Spring Latch Type Hook, Polyamide Sheave
- Load Block Assembly 69558-02 - Bullard Swivel Latch Type Hook, Polamide Sheave
- Load Block Assembly 69558-03 - Bronze Spring Latch Type Hook, Polyamide Sheave
- Load Block Assembly 69558-04 - Steel Spring Latch Type Hook, Steel Sheave
- Load Block Assembly 69558-05 - Bullard Swivel Latch Type Hook, Steel Sheave
- Load Block Assembly 69558-06 - Bronze Spring Latch Type Hook, Steel Sheave

### LOAD BLOCK PARTS

ITEM NO.	DESCRIPTION	QTY	STEEL SPRING LATCH TYPE HOOK	BULLARD SWIVEL LATCH TYPE HOOK	BRONZE SPRING LATCH TYPE HOOK
1	Hook without hole in tip	1	58012 (a)	58013	58014 (a)
1	Hook with hole in tip	1	70893 (a)	N/A	70901 (a)
2	Latch for hook without hole in tip	1	PA5327 (a)	N/A	PA5329 (a)
2	Latch for hook with hole in tip	1	PA7583 (a)	N/A	PA7585 (a)
3	Polyamide Sheave with Bearing	4	69561	69561	69561
3	Steel Sheave with Bearing	4	69562	69562	69562
4	Spacer	0	N/A	N/A	N/A
5	Frame	1	69671	69671	69671
6	Axle	2	69678-01	69678-01	69678-01
7	Spacer	6	69563-02	69563-02	69563-02
8	Thrust Bearing	1	PA5832	PA5832	PA5832
9	Slotted Hex Nut	1	26-24	26-24	26-24
10	Cotter Pin	1	PA1932	PA1932	PA1932
11	Cover	2	69672	69672	69672
12	Hex Head Bolt	4	35-6-12C	35-6-12C	35-6-12C
13	Lockwasher	4	17-6C	17-6C	17-6C
14	Drive Screw	4	PA893	PA893	PA893
15	Capacity Plate	2	(b)	(b)	(b)

No Recommended Spare Parts

### NOTES:

(a) Current style Spring Latch Hooks are being phased out by Acco's supplier. The new style Spring Latch Hooks have a hole in the tip of the hook. This hole allows the addition of a cotter pin to prevent the latch from opening. Cotter pin is not supplied by Acco. New style hooks are interchangeable with old style hooks, but new style hooks have a thicker cross section. Latches are not interchangeable between the two style hooks. As soon as stock of current style hook is depleted, current style hook will no longer be available. Latches for current style hooks will continue to be available. When ordering, identify whether or not hook has a hole in the tip and select part numbers accordingly from the above chart.

(b) Capacity Plate part numbers:

- 7½ Ton – 69683-075    7½ tonne – 69683-1075
- 10 Ton – 69683-100    10 tonne – 69683-1100



# PARTS LIST – PRODUCT SERIES 33

## GRAVITY LIMIT SWITCH

Gravity Limit Switch Assembly 70265-01 — Used on Series 32 and Series 33 2PS, 2PD, and 4PD hoists.

Gravity Limit Switch Assembly 70265-02 — Used on Series 33 4PS, Series 34, and Series 35 hoists.

### GRAVITY LIMIT SWITCH PARTS

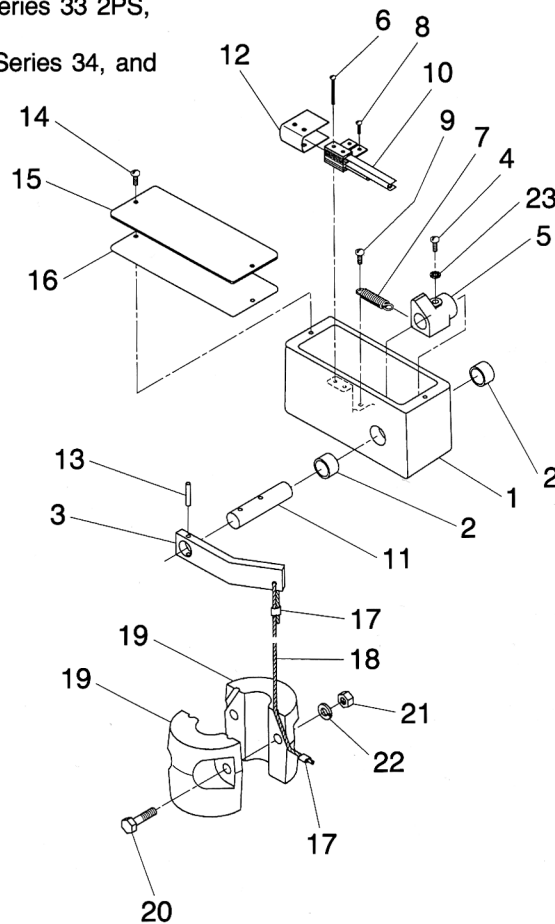
ITEM NO.	PART NO.	DESCRIPTION	QTY. 70265-01	QTY. 70265-02
1	70262	Enclosure	1	1
2	PA3598	Bushing	(a)	(a)
3	69793	Arm	1	1
4	3-08-8C	Screw	1	1
5	70264	Cam	1	1
6	3-05-14C	Screw	2	2
7	PA7400	Spring	1	1
8	3-05-2C	Screw	3	3
9	3-010-6C	Screw	1	1
10	61717	Switch Unit	1	1
11	70263	Shaft	1	1
12	64104	Insulator	1	1
13	PA3810	Spring Pin	1	1
14	PA5155	Self-tapping Screw	2	2
15	69804	Cover	1	1
16	69805	Gasket	1	1
17	PA2242	Oval Cable Sleeve	2	2
18	PA3113	Wire Rope	A.R.	A.R.
19	69827	Weight Half	2	0
20	35-4-16C	Bolt	2	0
21	22-4C	Hex Nut	2	2
22	17-4C	Lockwasher	2	2
23	19-08C	Lockwasher, Int. Tooth	1	1
24	3-010-6C	Screw	0	1
25	30-01C	Hex Nut	0	1
26	35-4-24C	Bolt	0	2
27	A2007L1	Weight Half, Left	0	1
28	A2007R1	Weight Half, Right	0	1

No Recommended Spare Parts

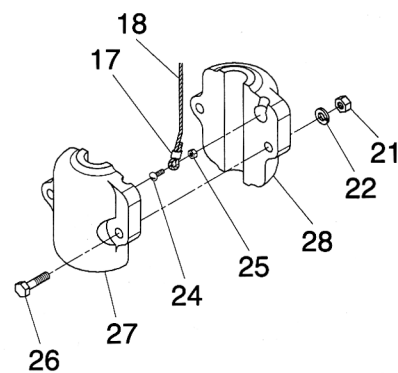
### NOTES:

(a) Included with Item 1.

(b) Gravity limit switch attached to hoist frame with two (2) Round Head Screws, Part No. 3-010-16C, and two (2) Locknuts, Part No. PA2423.



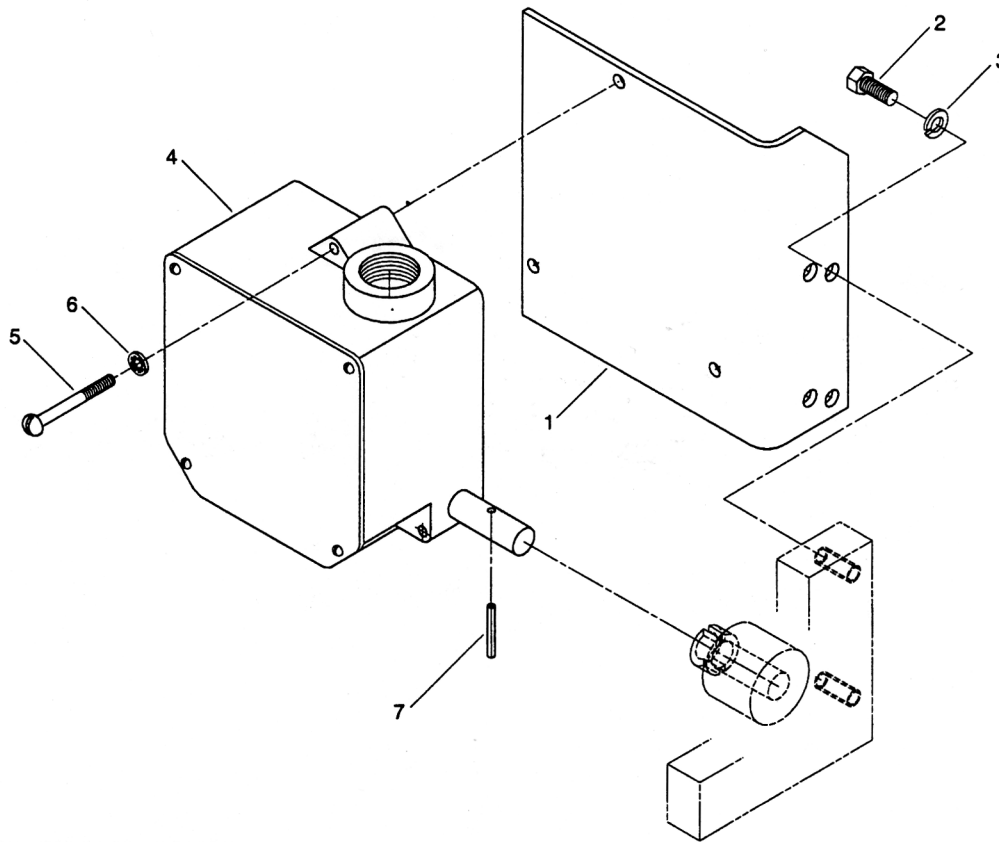
**ASSEMBLY-01**



**ASSEMBLY-02**

# PARTS LIST – PRODUCT SERIES 33

## GEARED LIMIT SWITCH



### GEARED LIMIT SWITCH PARTS

ITEM NO.	PART NO.	DESCRIPTION	QTY.
1	69965	Mounting Plate	1
2	35-4-8C	Hex Head Bolt	2
3	17-4C	Lockwasher	2
4 (a)	61649-07	Geared Limit Switch 2 Circuit - 40:1 Ratio - 38 Max. Turns	1
	61649-05	Geared Limit Switch 4 Circuit - 40:1 Ratio - 38 Max. Turns	1
	61649-08	Geared Limit Switch 2 Circuit - 80:1 Ratio - 75 Max. Turns	1
	61649-06	Geared Limit Switch 4 Circuit - 80:1 Ratio - 75 Max. Turns	1
	61649-01	Geared Limit Switch 2 Circuit - 111:1 Ratio - 104 Max. Turns	1
	61649-03	Geared Limit Switch 4 Circuit - 111:1 Ratio - 104 Max. Turns	1
	61649-10	Geared Limit Switch 2 Circuit - 222:1 Ratio - 208 Max. Turns	1
	61649-12	Geared Limit Switch 4 Circuit - 222:1 Ratio - 208 Max. Turns	1
5	3-010-24C	Round Head Screw	3
6	19-010C	Lockwasher	3
7	PA3810	Drive Pin	1

No Recommended Spare Parts

#### NOTE:

(a) For Geared Limit Switch selection, the maximum possible number of input shaft turns must be greater than the total number of grooves on a single reeved drum or the total number of grooves per side on a double reeved drum. With standard grooving, the following drum numbers are the maximum length drums on which the indicated switch ratios can be used.

40:1 Ratio can be used up to 2PS and 4PS Drum Number 1 or 2PD and 4PD Drum Number 3.

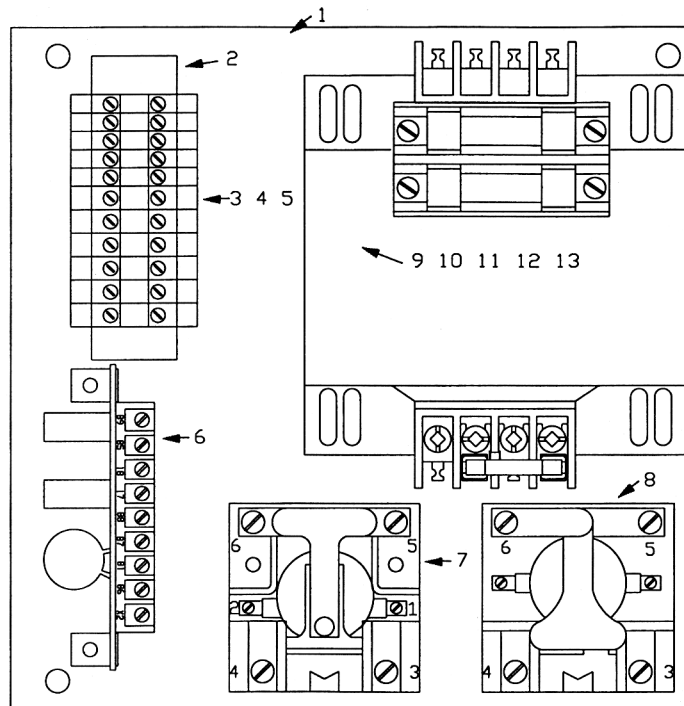
80:1 Ratio can be used up to 2PS and 4PS Drum Number 3 or 2PD and 4PD Drum Number 5.

111:1 Ratio can be used up to 2PS and 4PS Drum Number 4 or 2PD and 4PD Drum Number 6.

222:1 Ratio can be used up to 2PS and 4PS Drum Number 6.

# PARTS LIST – PRODUCT SERIES 33

## HOIST RECTIFIED D.C. BRAKE CONTROL



### REPLACEMENT PARTS

ITEM NO.	PART NO.	DESCRIPTION
1	86821	Panel, Drilled
2	86714-12	Din Rail, 3-1/2" Long
3	86710-05	Terminal End Anchor
4	86710-07	Terminal End Barrier
5	86710-01	Terminal Block
6 ▲	86712	Brake Circuit Control Board
7 ▲	PA6496	Relay, Brake Control (BC) for 115V Control Voltage
	PA6373	Relay, Brake Control (BC) for 24V Control Voltage
8 ▲	PA6254	Relay, Brake (BR) for 115V Control Voltage
	PA6255	Relay, Brake (BR) for 24V Control Voltage
9	52429-80	Transformer Fuse Holder
10	52429-81	Transformer Fuse Block

ITEM NO.	PART NO.	DESCRIPTION
11 ▲	See Chart	Transformer Primary Fuse
12 ▲	PA7330	Transformer Fuse (250 VA)
	PA6334	Transformer Fuse (350 VA)
	PA6335	Transformer Fuse (500 VA)
13	52429-07	Transformer, 250 VA, 200-115V
	52429-19	Transformer, 250 VA, 230/460-115V
	52429-42	Transformer, 250 VA, 575-115V
	52429-09	Transformer, 350 VA, 200-115V
	52429-21	Transformer, 350 VA, 230/460-115V
	52429-44	Transformer, 350 VA, 575-115V
	52429-10	Transformer, 500 VA, 200-115V
	52429-22	Transformer, 500 VA, 230/460-115V
	52429-45	Transformer, 500 VA, 575-115V

▲ Recommended Spare Parts

### TRANSFORMER PRIMARY FUSE CHART

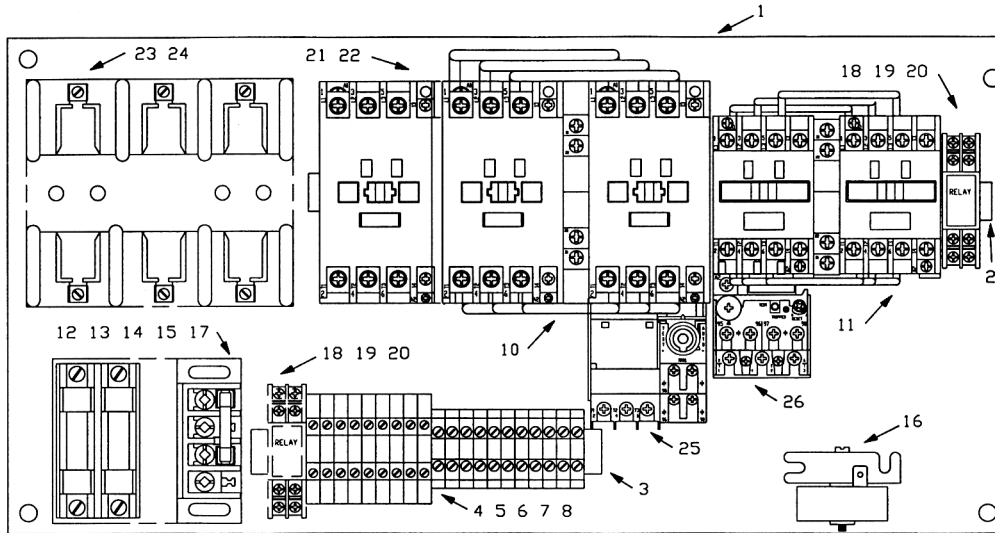
TRANSFORMER VA	VOLTAGE	FUSE P/N
50	200	86724-006
	230	86724-005
	460	86724-003
	575	86724-002
250	200	86724-030
	230	86724-028
	460	86724-011
	575	86724-011

TRANSFORMER VA	VOLTAGE	FUSE P/N
350	200	86724-050
	230	86724-040
	460	86724-015
	575	86724-015
500	200	86724-062
	230	86724-060
	460	86724-028
	575	86724-022

# PARTS LIST – PRODUCT SERIES 33

## BASIC CONTROL COMPONENTS

SINGLE OR TWO-SPEED HOIST, LUG MOUNTED, PLAIN OR GEARED TROLLEY OR  
SINGLE SPEED HOIST & SINGLE SPEED TROLLEY COMBINATION



### REPLACEMENT PARTS

ITEM NO.	PART NO.	DESCRIPTION
1	86822	Panel, Drilled
2	86714-06	Din Rail, 12" Long
3	86714-02	Din Rail, 8" Long
4	86710-04	Terminal, Grounding
5	86710-05	Terminal End Anchor
6	86710-06	Terminal End Barrier, Power
7	86710-07	Terminal End Barrier, Control
8	86710-01	Terminal, Control
9	86710-02	Terminal, Power
10 ▲	86729-01	Contactors, Reversing, 115V, Hoist. (for two-speed contactor use 86729-01 and remove load side power jumper assy.)
	86729-02	Contactors, Reversing, 24V, Hoist. (for two-speed contactor use 86729-02 and remove load side power jumper assy.)
11 ▲	86727-01	Contactors, Reversing, 115V, Trolley. (for two-speed contactor use 86727-01 and remove load side power jumper assy.)
	86727-02	Contactors, Reversing, 24V, Trolley. (for two-speed contactor use 86727-02 and remove load side power jumper assy.)
12 ▲	86724-XX	Transformer Primary Fuse, 24V control only (select from chart on Page 23)

ITEM NO.	PART NO.	DESCRIPTION
13	52429-81	Transformer Primary Fuse Block (24V control only)
14	52429-80	Transformer Fuse Holder (24V control only)
15 ▲	PA7330	Transformer Fuse (24V control only)
16	PA7103	Time Capsule, 115V
	PA7104	Time Capsule, 24V
17	52429-XX	Transformer -52 for 200V; -26 for 230/460V; -64 for 575V (50 VA for 24V control only)
18 ▲	PA7382	Relay, High Speed, 115V
	PA7383	Relay, High Speed, 24V
19	PA7384	Relay Socket, Plug In
20	PA7385	Relay Retaining Clip
21	86733-01	Mainline Contactor, 115V (optional)
	86733-02	Mainline Contactor, 24V (optional)
22	86737-10	Auxillary Contact Block (one required with mainline contactor)
23	PA7341	Fuse Block, Motor Ckt. 30A (optional)
24 ▲	86709-XX	Fuse, Motor Circuit, (optional) see note below
25	86736-XX	Overload Relay, Hoist, (optional) see note below
26	86736-XX	Overload Relay, Trolley, (optional) see note below
Not Shown	69505-02	Danger Label, Electrical

#### ▲ Recommended Spare Parts

#### NOTE:

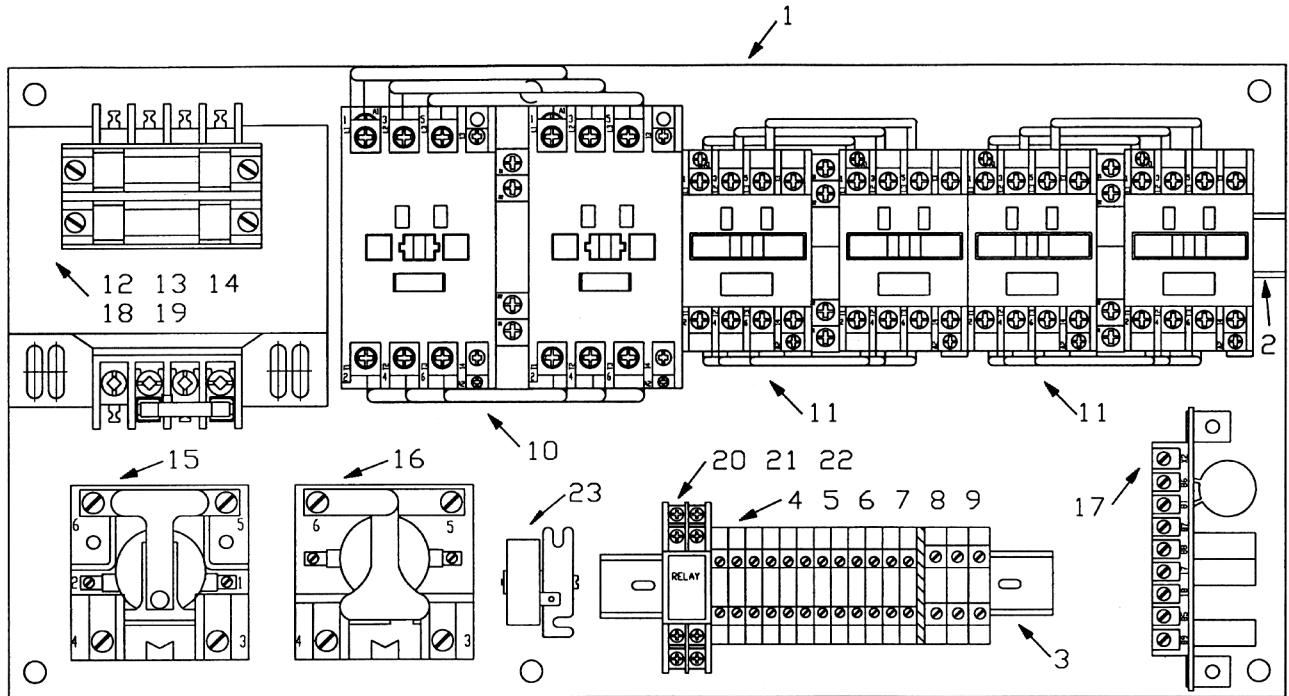
This parts list includes components and options for several similar control panel assemblies. All components shown may not be present on the control panel provided.

When ordering Motor Circuit Fuses or Overload Relays, provide as much information about the hoist as possible: Hoist serial number, motor H.P.'s, full load currents, supply voltage, etc.

# PARTS LIST – PRODUCT SERIES 33

## BASIC CONTROL COMPONENTS

SINGLE SPEED HOIST, SINGLE SPEED HOIST & SINGLE SPEED TROLLEY,  
SINGLE SPEED HOIST & TWO-SPEED TROLLEY, OR TWO-SPEED HOIST WITH PLAIN OR  
HAND GEARED TROLLEY WHEN GEARED LIMIT SWITCH IS NOT SPECIFIED



### REPLACEMENT PARTS

ITEM NO.	PART NO.	DESCRIPTION
1	86822	Panel, Drilled
2	86714-11	Din Rail, 11" Long
3	86714-01	Din Rail, 6-1/2" Long
4	86710-04	Terminal, Grounding
5	86710-05	Terminal End Anchor
6	86710-06	Terminal End Barrier, Power
7	86710-07	Terminal End Barrier, Control
8	86710-01	Terminal, Control
9	86710-02	Terminal, Power
10 ▲	86729-01	Contactors, Reversing, 115V, Hoist. (for two-speed contactor use 86729-01 and remove load side power jumper assy.)
11 ▲	86727-01	Contactors, Reversing, 115V, Trolley. (for two-speed contactor use 86727-01 and remove load side power jumper assy.)
12 ▲	86724-XX	Transformer Primary Fuse (select from chart on Page 23)

ITEM NO.	PART NO.	DESCRIPTION
13 ▲	52429-80	Transformer Fuse Holder
14 ▲	PA7330	Transformer Fuse
15 ▲	PA6496	Relay, Brake Control (BC)
16 ▲	PA6254	Relay, Brake Control (BR)
17	86712	Brake Control Circuit Board
18	52429-81	Transformer Fuse Block
19	52429-07	Transformer, 250 VA, 200-115V
	52429-19	Transformer, 250 VA, 230/460-115V
	82429-42	Transformer, 250 VA, 575-115V
20 ▲	PA7382	Relay, High Speed, 115V
21	PA7384	Relay Socket, Plug In
22	PA7385	Relay Retaining Clip
23	PA7103	Time Capsule, 115V
Not Shown	86733-01	Mainline Contactor, 115V (optional)
	86737-10	Aux. Contact Block (one required with mainline Contactor)
	86737-10	
Not Shown	69505-02	Danger Label, Electrical
	69505-02	

▲ Recommended Spare Parts

#### NOTE:

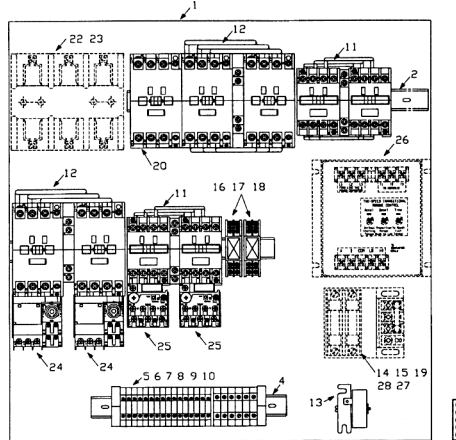
This parts list includes components and options for several similar control panel assemblies. All components shown may not be present on the control panel provided.

When ordering Motor Circuit Fuses or Overload Relays, provide as much information about the hoist as possible: Hoist serial number, motor H.P.'s, full load currents, supply voltage, etc.

# PARTS LIST – PRODUCT SERIES 33

## BASIC CONTROL COMPONENTS

SINGLE OR TWO SPEED HOIST AND TROLLEY CONTROL WITH ACM & SIZE “C” HOIST CONTACTOR



### REPLACEMENT PARTS

ITEM NO.	PART NUMBER	DESCRIPTION
1	86824	Panel, Drilled
2	86714-11	DIN Rail, 13" Long
3	86714-10	DIN Rail, 12.5" Long
4	86710-02	DIN Rail, 8" Long
5	86710-04	Terminal, Grounding
6	86710-05	Terminal End Anchor
7	86710-06	Terminal End Barrier, Power
8	86710-07	Terminal End Barrier, Control
9	86710-01	Terminal, Control
10	86710-02	Terminal, Power
11 ▲	86727-01	Contactors, Reversing, 115V, Trolley, Size B (for Two-Speed Contactor remove load side power jumper assembly)
	86727-02	Contactors, Reversing, 24V, Trolley, Size B (for Two-Speed Contactor remove load side power jumper assembly)
12 ▲	86729-01	Contactors, Reversing, 115V, Hoist, Size C (for Two-Speed Contactor remove load side power jumper assembly)
	886729-02	Contactors, Reversing, 24V, Hoist, Size C (for Two-Speed Contactor remove load side power jumper assembly)
13	PA7103	Time Capsule, 115V (Two Speed Only)
	PA7103	Time Capsule, 24V (Two Speed Only)
14	52429-80	Transformer Fuse Holder (24 V Models Only)
15 ▲	PA7330	Transformer Fuse (24 V Models Only)
16	PA7382	Relay, Control, 115V (Two Speed Only)
	PA7383	Relay, Control, 24V (Two Speed Only)

ITEM NO.	PART NUMBER	DESCRIPTION
17	PA7384	Relay, Socket (Two Speed Only)
18	PA7385	Relay, Hold Down Clip
19	52429-XX	Transformer (24 V controls only) -52 for 200V; -26 for 230/460 V; -64 for 575 V Supply (50 VA)
20	86733-01	Mainline Contactor, 115 V Size C (optional)
	86733-02	Mainline Contactor, 24 V Size C (optional)
21	86737-10	Contact Block, Aux. (used with Mainline Contactor)
22	PA7341	Fuse Block, Motor Ckt. 30A. (optional)
	PA7342	Fuse Block, Motor Ckt. 60A. (optional)
23 ▲	86709-XX	Fuse, Motor Circuit (optional) see note below
24	86736-XX	Overload Relay, Hoist (optional) see note below
25	86736-XX	Overload Relay, Trolley (optional) see note below
26	86715-017	ACM, S.S., 1 H.P. Max. 200-230 V, 2 H.P. Max 460 V
	86715-019	ACM, S.S., 2.5 H.P. Max. 200-230 V, 5 H.P. Max 460 V
	86715-018	ACM, 2S., 1 H.P. Max. 200-230 V, 2 H.P. Max 460 V
	86715-020	ACM, 2S., 2.5 H.P. Max. 200-230 V, 5 H.P. Max 460 V
	86715-002	ACM, S.S., 2 H.P. Max. 575 V
	86715-004	ACM, S.S., 5 H.P. Max. 575 V
	86715-006	ACM, 2S., 2 H.P. Max. 575 V
86715-008	ACM, 2S., 5 H.P. Max. 575 V	
27	52429-81	Transformer Primary Fuse Block (24 V control only)
28 ▲	86724-XXX	Transformer Primary Fuse, 24 V control only (select from chart on Page 23)
Not Shown	69505-02	Danger Label, Electrical

### ▲ Recommended Spare Parts

#### NOTE:

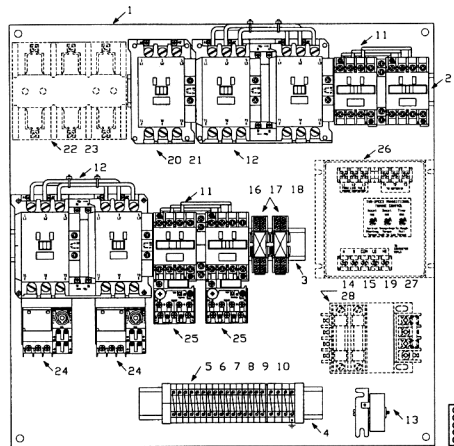
This parts list includes components and options for several similar control panel assemblies. All components shown may not be present on the control panel provided. When ordering Motor Circuit Fuses or Overload Relays, provide as much information about the hoist as possible: Hoist serial number, motor H.P.'s, full load currents, supply voltage, etc.

ACM's listed are for 115 V control only. For 24 V control, order by description.

# PARTS LIST – PRODUCT SERIES 33

## BASIC CONTROL COMPONENTS

SINGLE OR TWO SPEED HOIST AND TROLLEY CONTROL WITH ACM & SIZE “C” HOIST CONTACTOR



### REPLACEMENT PARTS

ITEM NO.	PART NUMBER	DESCRIPTION
1	86824	Panel, Drilled
2	86714-11	DIN Rail, 13" Long
3	86714-10	DIN Rail, 12.5" Long
4	86710-02	DIN Rail, 8" Long
5	86710-04	Terminal, Grounding
6	86710-05	Terminal End Anchor
7	86710-06	Terminal End Barrier, Power
8	86710-07	Terminal End Barrier, Control
9	86710-01	Terminal, Control
10	86710-02	Terminal, Power
11 ▲	86727-01	Contactor, Reversing, 115V, Trolley, Size B. (For Two Speed Contactor remove load side power jumper assembly)
	86727-02	Contactor, Reversing, 24V, Trolley, Size B. (For Two Speed Contactor remove load side power jumper assembly)
12 ▲	86730-01	Contactor, Reversing, 115V, Hoist, Size D. (For Two Speed Contactor remove load side power jumper assembly)
	86730-02	Contactor, Reversing, 24V, Hoist, Size D. (For Two Speed Contactor remove load side power jumper assembly)
13	PA7103	Time Capsule, 115V (Two Speed Only)
	PA7104	Time Capsule, 24V (Two Speed Only)
14	52429-80	Transformer Fuse Holder (24 V Models Only)
15 ▲	PA6335	Transformer Fuse (24 V Models Only)
16	PA7382	Relay, Control, 115 V (Two Speed Only)
	PA7383	Relay, Control, 24 V (Two Speed Only)

ITEM NO.	PART NUMBER	DESCRIPTION
17	PA7384	Relay, Socket (Two Speed Only)
18	PA7385	Relay, Hold Down Clip
19	52429-XX	Transformer (24 V controls only) -54 for 200 V; -28 for 230/460 V; -66 for 575 V Supply (100VA)
	86734-01	Mainline Contactor, 115 V Size D (optional)
20	86734-02	Mainline Contactor, 24 V Size D (optional)
21	86737-10	Contact Block, Aux. (used with Mainline Contactor)
22	PA7341	Fuse Block, Motor Ckt. 30A. (optional)
	PA7342	Fuse Block, Motor Ckt. 60A. (optional)
23 ▲	86709-XX	Fuse, Motor Circuit (optional) see note below
24	86736-XX	Overload Relay, Hoist (optional) see note below
25	86736-XX	Overload Relay, Trolley (optional) see note below
26	86715-017	ACM, S.S., 1 H.P. Max. 200-230 V, 2 H.P. Max 460 V
	86715-019	ACM, S.S., 2.5 H.P. Max. 200-230 V, 5 H.P. Max 460 V
	86715-018	ACM, 2S., 1 H.P. Max. 200-230 V, 2 H.P. Max 460 V
	86715-020	ACM, 2S., 2.5 H.P. Max. 200-230 V, 5 H.P. Max 460 V
	86715-002	ACM, S.S., 2 H.P. Max. 575 V
	86715-004	ACM, S.S., 5 H.P. Max. 575 V
	86715-006	ACM, 2S., 2 H.P. Max. 575 V
86715-008	ACM, 2S., 5 H.P. Max. 575 V	
27	52429-81	Transformer Primary Fuse Block (24 V control only)
28 ▲	86724-XXX	Transformer Primary Fuse, (24 V control only) -012 for 200V; -010 for 230V; -005 for 460 and 575V
Not Shown	69505-02	Danger Label, Electrical

▲ Recommended Spare Parts

### NOTE:

This parts list includes components and options for several similar control panel assemblies. All components shown may not be present on the control panel provided.

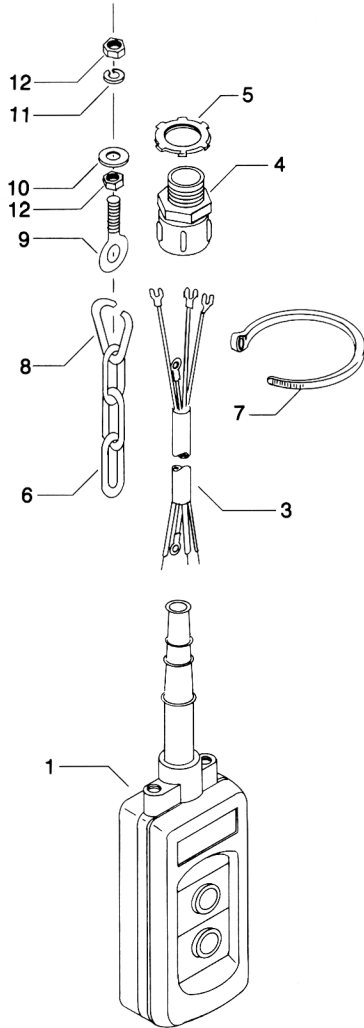
When ordering Motor Circuit Fuses or Overload Relays, provide as much information about the hoist as possible: Hoist serial number, motor H.P.'s, full load currents, supply voltage, etc.

ACM's listed are for 115 V control only. For 24 V control, order by description.

# PARTS LIST – PRODUCT SERIES 33

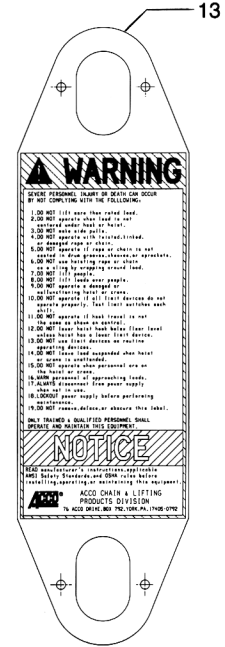
## PENDANT CONTROL STATION

### PENDANT CONTROL STATION PARTS LIST



**PUSHBUTTON STATION**

ITEM NO.	PART NUMBER	DESCRIPTION
1	68898-01	2-Button, Single Speed Pushbutton Station Assembly
	68898-02	2-Button, Two Speed Pushbutton Station Assembly
	86718-02	4-Button, Pushbutton Station, Enclosure only
	86718-03	6-Button, Pushbutton Station Enclosure only
2	86718-04	8-Button, Pushbutton Station Enclosure only
	86718-16	Single Speed Contact Block (not shown)
	86718-19	Two Speed Contact Block (not shown)
	86718-05	Operator Button (Black)
	86718-06	Operator Button (Green)
	86718-07	Operator Button (Red)
	3	62046
PA2513		Cable, 16 Awg., 8 Cond.
PA2514		Cable, 16 Awg., 14 Cond.
4	PA2427	Cable Grip, 4 Cond. Cable
	PA2145	Cable Grip, 8 Cond. Cable
	PA2517	Cable Grip, 14 Cond. Cable
5	PA1827	Locknut for PA2427 & PA2145
	PA2036	Locknut for PA2517
6	PA2034	Strain Relief Chain
7	PA6750	Self Locking Tie
8	PA2035	Chain Repair Link
9	PA5037	Eye Bolt
10	15-4-2C	Washer
11	17-4C	Lockwasher
12	22-4C	Nut
13	63178-01	Warning Label



**WARNING LABEL  
63178-01  
Replace Label  
If Lost or Illegible**

**NOTE:**

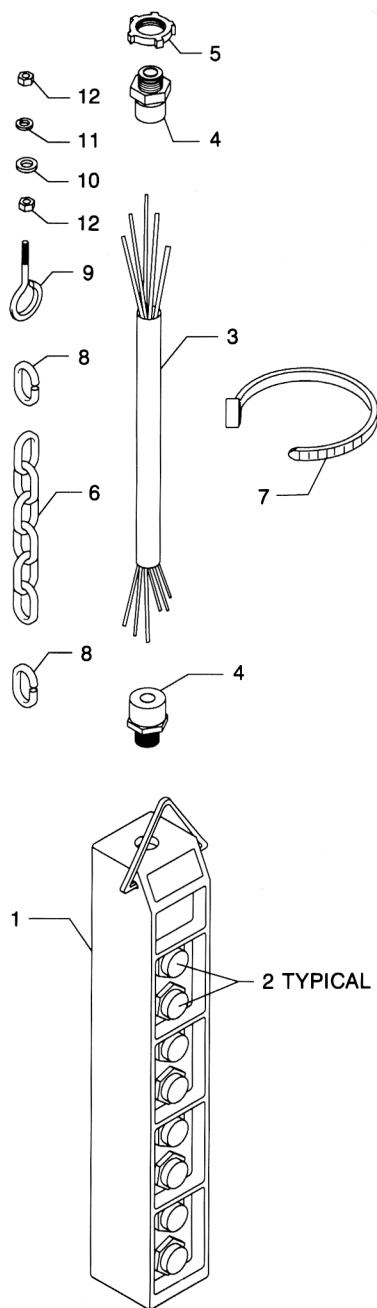
When ordering pushbutton control cable or strain relief chain, specify length in feet. When specifying length of control cable, allow sufficient length to make connections inside of pushbutton station and control enclosure.



# PARTS LIST – PRODUCT SERIES 33

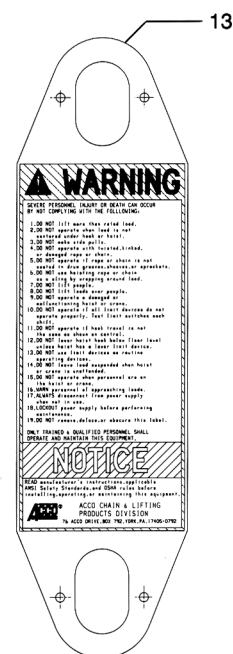
## PENDANT CONTROL STATION

### PENDANT CONTROL STATION PARTS LIST



**PUSHBUTTON STATION**

ITEM NO.	PART NUMBER	DESCRIPTION
1	86716-01	2-Button Enclosure
	86716-02	4-Button Enclosure
	86716-03	6-Button Enclosure
	86716-04	8-Button Enclosure
	86716-05	10-Button Enclosure
2	86716-06	Single Speed Button Assy.
	86716-07	Two Speed Button Assy.
	86716-08	Three Speed Button Assy.
	86716-09	Five Speed Button Assy.
	86716-10	On Button (Green)
	86716-11	Off Button (Red)
	86716-12	Pilot Light (Red)
	86716-13	Two Position Maint. Selector Switch
	86716-14	Three Position Maint. Selector Switch
	86716-15	Push - Pull Operator (Maint.)
	86716-16	Red Mushroom Head Operator (Momentary)
	86716-17	Two Position Keylock Selector (Maint.)
	86716-18	2-Button Maint. Operator (Interlocked)
	86716-19	Contact Block (1 N.O. & 1 N.C.)
	86716-20	Closing Button (For Unused Holes)
	86716-21	P.B. Operator (Black, 1 N.O. & 1 N.C.)
3	62046	Cable, 16 AWG., 4 Cond.
	PA2513	Cable, 16 AWG., 8 Cond.
	PA2514	Cable, 16 AWG., 14 Cond.
	PA6706	Cable, 16 AWG., 24 Cond.
4	PA2427	Cable Grip, 4 Cond. Cable
	PA6652	Cable Grip, 8 Cond. Cable
	PA2517	Cable Grip, 14 Cond. Cable
	PA6705	Cable Grip, 24 Cond. Cable
5	PA1827	Locknut for PA2427 & PA6652
	PA2036	Locknut for PA2517
	PA1828	Locknut for PA6705
6	PA2034	Strain Relief Chain
7	PA6750	Self Locking Tie
8	PA2035	Chain Repair Link
9	PA5037	Eye Bolt
10	15-4-2C	Washer
11	17-4C	Lockwasher
12	22-4C	Nut
13	63178-01	Warning Label

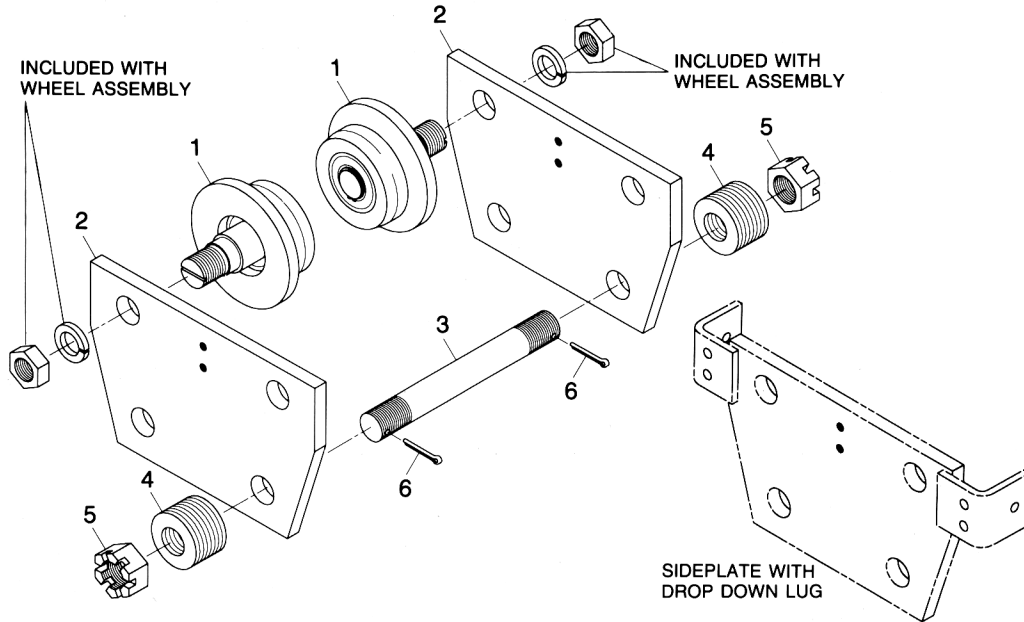


**WARNING LABEL  
63178-01  
Replace Label  
If Lost or Illegible**

**NOTE:** When ordering pushbutton control cable or strain relief chain, specify length in feet. When specifying length of control cable, allow sufficient length to make connections inside of pushbutton station and control enclosure.

# PARTS LIST – PRODUCT SERIES 33

## 4-WHEEL PLAIN TROLLEY ASSEMBLY 5 IN. DIAMETER WHEEL – NON-SWIVELING – TWO MOUNTING STUDS



### TROLLEY PARTS – 5" DIAMETER WHEELS

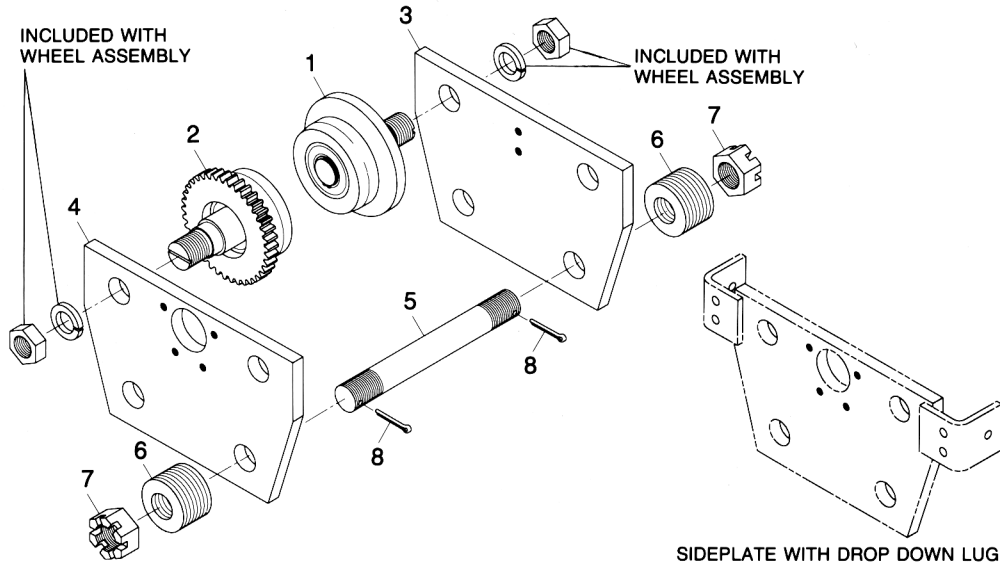
TROLLEY ASSEMBLY	BEAM FLANGE WIDTH (Inches)	DROP DOWN LUGS	WHEEL ASSEMBLY		SIDEPLATE	STUD	WASHER		NUT	COTTER PIN		
			4 PER TROLLEY				ITEM 2	ITEM 3			QTY/TRLY	ITEM 4
			MATL.	ITEM 1	ITEM 2	ITEM 3			QTY/TRLY	ITEM 4		
69769-01	4 to 5	No	Steel Dual Tread	69789-01	69762-01	69767-01	28	PA6932	26-24	PA1355		
69769-02	5-1/8 to 8					69767-02					60	
69769-03	8-1/8 to 10-1/2					69784-01					69767-03	32
69769-17	10-5/8 to 12-1/2					69784-03					69767-04	
69769-18	12-5/8 to 14					69784-05					69767-05	
69769-04	4 to 5		Bronze Dual Tread	69789-02	69762-01	69767-01	28					
69769-05	5-1/8 to 8					69767-02	60					
69769-06	8-1/8 to 10-1/2					69784-01	69767-03				32	
69769-19	10-5/8 to 12-1/2					69784-03	69767-04					
69769-20	12-5/8 to 14					69784-05	69767-05					
69769-07	4 to 5	Yes	Steel Dual Tread	69789-01	69762-02	69767-01	28					
69769-08	5-1/8 to 8				69767-02	60						
69769-09	8-1/8 to 10-1/2				69784-02	69767-03	32					
69769-21	10-5/8 to 12-1/2				69784-04	69767-04						
69769-22	12-5/8 to 14		69784-06	69767-05								
69769-10	4 to 5		Bronze Dual Tread	69789-02	69762-02	69767-01	28					
69769-11	5-1/8 to 8	69767-02				60						
69769-12	8-1/8 to 10-1/2	69784-02				69767-03	32					
69769-23	10-5/8 to 12-1/2	69784-04				69767-04						
69769-24	12-5/8 to 14	69784-06				69767-05						
69769-13	3-1/4 to 5 (a)	No				Steel Flat	69895-01	69762-01	69767-01	28		
69769-14	3-1/4 to 5 (a)		Bronze Flat	69895-02								
69769-15	3-1/4 to 5 (a)	Yes	Steel Flat	69895-01	69762-02							
69769-16	3-1/4 to 5 (a)		Bronze Flat	69895-02								

No Recommended Spare Parts

**NOTE:** (a) For operation on patented monorail track.

# PARTS LIST – PRODUCT SERIES 33

## 4-WHEEL GEARED TROLLEY ASSEMBLY 5 IN. DIAMETER WHEEL – NON-SWIVELING – TWO MOUNTING STUDS



### TROLLEY PARTS – 5" DIAMETER WHEELS

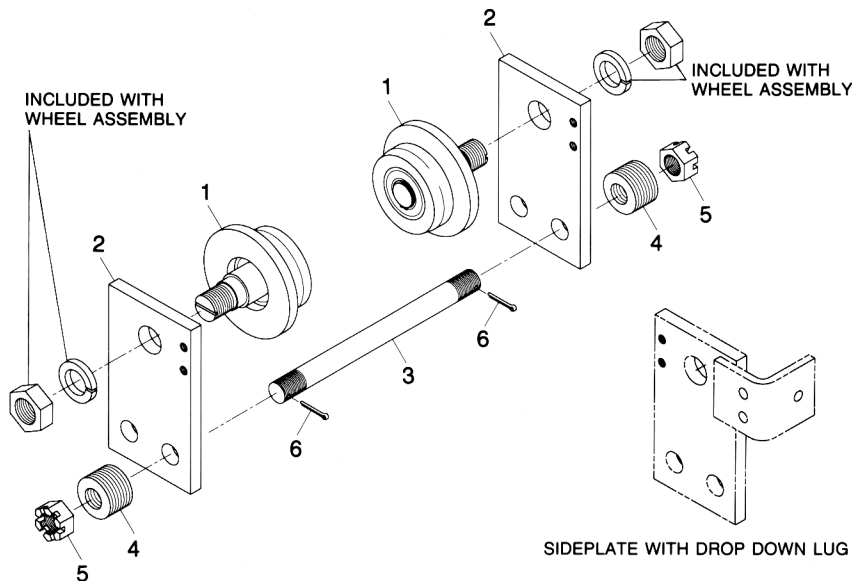
TROLLEY ASSEMBLY	BEAM FLANGE WIDTH (Inches)	DROP DOWN LUGS	WHEEL ASSEMBLY			SIDEPLATE	SIDEPLATE	STUD	WASHER		NUT	COTTER PIN	
			2 EACH PER TROLLEY						1 PER TROLLEY	1 PER TROLLEY			2 PER TROLLEY
			MATL.	PLAIN ITEM 1	GEARED ITEM 2	ITEM 3	ITEM 4	ITEM 5	QTY/ TRLY	ITEM 6	ITEM 7	ITEM 8	
69770-01	4 to 5	No	Steel Dual Tread	69789-01	69790-01	69762-01	69761-01	69767-01	28	PA6932	26-24	PA1355	
69770-02	5-1/8 to 8					69767-02	60						
69770-03	8-1/8 to 10-1/2					69784-01	69783-01	69767-03					32
69770-17	10-5/8 to 12-1/2					69784-03	69783-03	69767-04					
69770-18	12-5/8 to 14					69784-05	69783-05	69767-05					
69770-04	4 to 5		Bronze Dual Tread	69789-02	69790-02	69762-01	69761-01	69767-01					28
69770-05	5-1/8 to 8					69767-02	60						
69770-06	8-1/8 to 10-1/2					69784-01	69783-01	69767-03					32
69770-19	10-5/8 to 12-1/2					69784-03	69783-03	69767-04					
69770-20	12-5/8 to 14					69784-05	69783-05	69767-05					
69770-07	4 to 5	Yes	Steel Dual Tread	69789-01	69790-01	69762-02	69761-02	69767-01	28				
69770-08	5-1/8 to 8					69767-02	60						
69770-09	8-1/8 to 10-1/2					69784-02	69783-02	69767-03	32				
69770-21	10-5/8 to 12-1/2					69784-04	69783-04	69767-04					
69770-22	12-5/8 to 14					69784-06	69783-06	69767-05					
69770-10	4 to 5		Bronze Dual Tread	69789-02	69790-02	69762-02	69761-02	69767-01	28				
69770-11	5-1/8 to 8					69767-02	60						
69770-12	8-1/8 to 10-1/2					69784-02	69783-02	69767-03	32				
69770-23	10-5/8 to 12-1/2					69784-04	69783-04	69767-04					
69770-24	12-5/8 to 14					69784-06	69783-06	69767-05					
69770-13	3-1/4 to 5 (a)	No	Steel Flat	69895-01	69896-01	69762-01	69761-01	69767-01	28				
69770-14	3-1/4 to 5 (a)		Bronze Flat	69895-02	69896-02								
69770-15	3-1/4 to 5 (a)	Yes	Steel Flat	69895-01	69896-01	69762-02	69761-02	69767-01	28				
69770-16	3-1/4 to 5 (a)		Bronze Flat	69895-02	69896-02								

No Recommended Spare Parts

NOTE: (a) For operation on patented monorail track.

# PARTS LIST – PRODUCT SERIES 33

## 2-WHEEL PLAIN TROLLEY ASSEMBLY 5 IN. DIAMETER WHEEL – NON-SWIVELING – TWO MOUNTING STUDS



### TROLLEY PARTS – 5" DIAMETER WHEELS

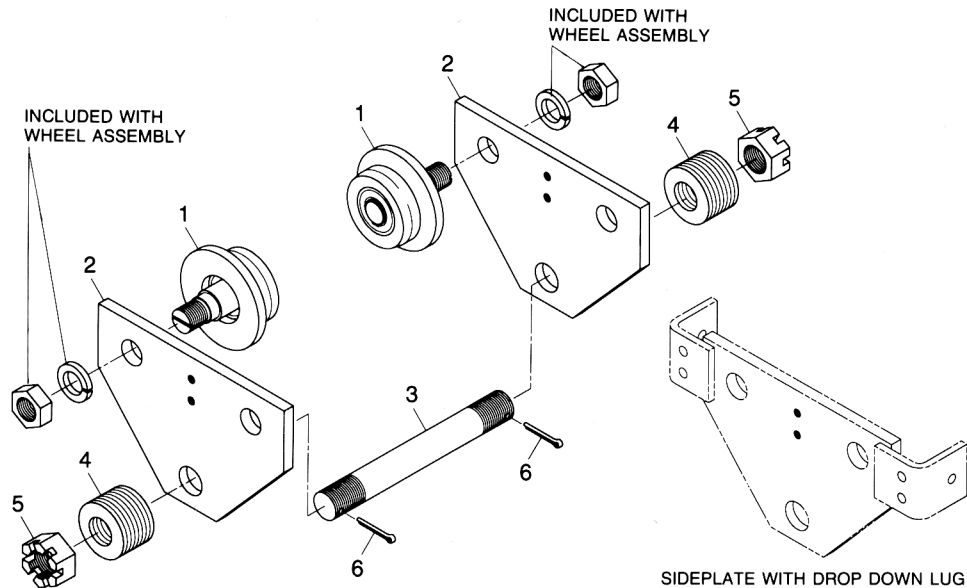
TROLLEY ASSEMBLY	BEAM FLANGE WIDTH (Inches)	DROP DOWN LUGS	WHEEL ASSEMBLY		SIDEPLATE	SIDEPLATE	STUD	WASHER		NUT	COTTER PIN					
			2 PER TROLLEY		1 PER TROLLEY	1 PER TROLLEY	2 PER TROLLEY			4 PER TROLLEY	4 PER TROLLEY					
			MATL.	ITEM 1	ITEM 2	ITEM 2	ITEM 3	QTY/TRLY	ITEM 4	ITEM 5	ITEM 6					
69771-01	4 to 5	No	Steel Dual Tread	69789-01	69764-01	69764-01	69766-01	36	A210-03	26-20	PA1355					
69771-02	5-1/8 to 8				69766-05	82										
69771-03	8-1/8 to 10-1/2				69787-01	69787-01	69766-06	50								
69771-17	10-5/8 to 12-1/2				69787-04	69787-04	69766-07									
69771-18	12-5/8 to 14				69787-07	69787-07	69766-08									
69771-04	4 to 5				Bronze Dual Tread	69789-02	69764-01	69764-01				69766-01	36	A210-03	26-20	PA1355
69771-05	5-1/8 to 8						69766-05	82								
69771-06	8-1/8 to 10-1/2						69787-01	69787-01				69766-06	50			
69771-19	10-5/8 to 12-1/2						69787-04	69787-04				69766-07				
69771-20	12-5/8 to 14						69787-07	69787-07				69766-08				
69771-07	4 to 5	Steel Dual Tread	69789-01	69764-02			69764-03	69766-01	36	A210-03	26-20	PA1355				
69771-08	5-1/8 to 8			69766-05			82									
69771-09	8-1/8 to 10-1/2			69787-02			69787-03	69766-06	50							
69771-21	10-5/8 to 12-1/2			69787-05			69787-06	69766-07								
69771-22	12-5/8 to 14			69787-08			69787-09	69766-08								
69771-10	4 to 5			Bronze Dual Tread	69789-02	69764-02	69764-03	69766-01	36				A210-03	26-20	PA1355	
69771-11	5-1/8 to 8					69766-05	82									
69771-12	8-1/8 to 10-1/2					69787-02	69787-03	69766-06	50							
69771-23	10-5/8 to 12-1/2					69787-05	69787-06	69766-07								
69771-24	12-5/8 to 14					69787-08	69787-09	69766-08								
69771-13	3-1/4 to 5 (a)	No	Steel Flat			69895-01	69764-01	69764-01	69766-01	36	A210-03	26-20				PA1355
69771-14	3-1/4 to 5 (a)		Bronze Flat			69895-02										
69771-15	3-1/4 to 5 (a)	Yes	Steel Flat			69895-01	69764-02	69764-03	69766-01	36	A210-03	26-20				PA1355
69771-16	3-1/4 to 5 (a)		Bronze Flat			69895-02										

No Recommended Spare Parts

**NOTE:** (a) For operation on patented monorail track.

# PARTS LIST – PRODUCT SERIES 33

## 4-WHEEL PLAIN TROLLEY ASSEMBLY 5 IN. DIAMETER WHEEL – NON-SWIVELING – ONE MOUNTING STUD



### TROLLEY PARTS – 5" DIAMETER WHEELS

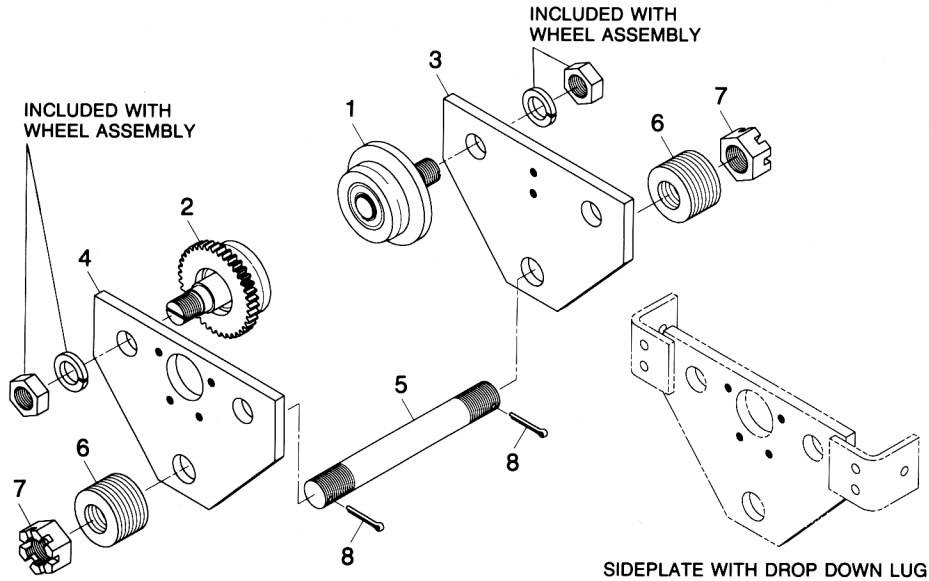
TROLLEY ASSEMBLY	BEAM FLANGE WIDTH (Inches)	DROP DOWN LUGS	WHEEL ASSEMBLY		SIDEPLATE	STUD	WASHER		NUT	COTTER PIN
			4 PER TROLLEY		2 PER TROLLEY	1 PER TROLLEY			2 PER TROLLEY	2 PER TROLLEY
			MATL.	ITEM 1	ITEM 2	ITEM 3	QTY/TRLY	ITEM 4	ITEM 5	ITEM 6
69781-01	4 to 5	No	Steel Dual Tread	69789-01	69949-01	69768-01	14	PA5167	26-32	PA3796
69781-02	5-1/8 to 8					69768-02				
69781-03	8-1/8 to 10-1/2				69786-01	69768-06	23			
69781-17	10-5/8 to 12-1/2				69786-03	69768-07				
69781-18	12-5/8 to 14				69786-05	69768-08				
69781-04	4 to 5		Bronze Dual Tread	69789-02	69949-01	69768-01	14			
69781-05	5-1/8 to 8					69768-02				
69781-06	8-1/8 to 10-1/2				69786-01	69768-06	23			
69781-19	10-5/8 to 12-1/2				69786-03	69768-07				
69781-20	12-5/8 to 14				69786-05	69768-08				
69781-07	4 to 5	Yes	Steel Dual Tread	69789-01	69949-02	69768-01	14			
69781-08	5-1/8 to 8					69768-02		30		
69781-09	8-1/8 to 10-1/2				69786-02	69768-06	23			
69781-21	10-5/8 to 12-1/2				69786-04	69768-07				
69781-22	12-5/8 to 14				69786-06	69768-08				
69781-10	4 to 5	Bronze Dual Tread	69789-02	69949-02	69768-01	14				
69781-11	5-1/8 to 8				69768-02		30			
69781-12	8-1/8 to 10-1/2			69786-02	69768-06	23				
69781-23	10-5/8 to 12-1/2			69786-04	69768-07					
69781-24	12-5/8 to 14			69786-06	69768-08					
69781-13	3-1/4 to 5 (a)	No	Steel Flat	69895-01	69949-01	69768-01	14			
69781-14	3-1/4 to 5 (a)	Bronze Flat	69895-02							
69781-15	3-1/4 to 5 (a)	Yes	Steel Flat	69895-01	69949-02					
69781-16	3-1/4 to 5 (a)	Bronze Flat	69895-02							

No Recommended Spare Parts

**NOTE:** (a) For operation on patented monorail track.

# PARTS LIST – PRODUCT SERIES 33

## 4-WHEEL GEARED TROLLEY ASSEMBLY 5 IN. DIAMETER WHEEL – NON-SWIVELING – ONE MOUNTING STUD



### TROLLEY PARTS – 5" DIAMETER WHEELS

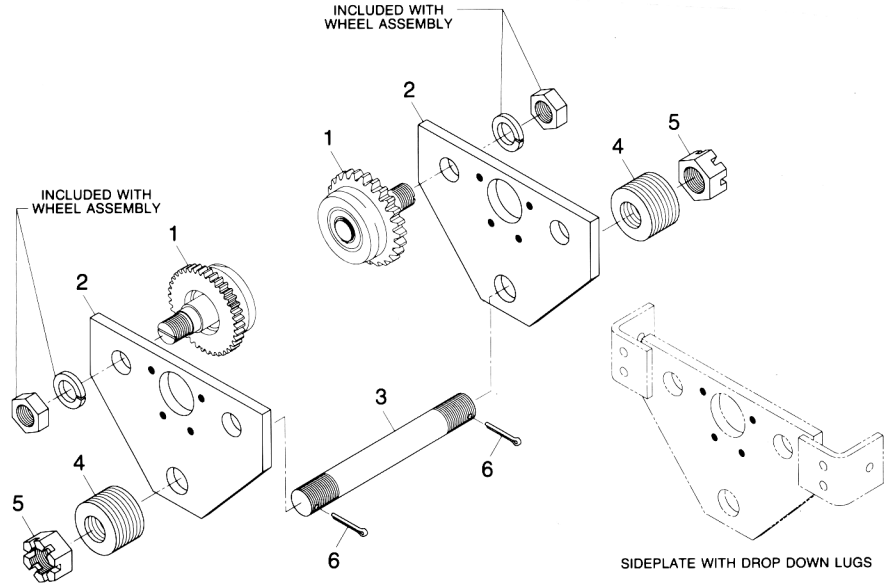
TROLLEY ASSEMBLY	BEAM FLANGE WIDTH (Inches)	DROP DOWN LUGS	WHEEL ASSEMBLY			SIDEPLATE	SIDEPLATE	STUD	WASHER		NUT	COTTER PIN
			2 EACH PER TROLLEY			1 PER TROLLEY	1 PER TROLLEY	1 PER TROLLEY	QTY/ TRLY	ITEM 6	2 PER TROLLEY	2 PER TROLLEY
			MATL.	PLAIN ITEM 1	GEARED ITEM 2	ITEM 3	ITEM 4	ITEM 5			ITEM 7	ITEM 8
69782-01	4 to 5	No	Steel Dual Tread	69789-01	69790-01	69949-01	69950-01	69768-01	PA5167	26-32	PA3796	
69782-02	5-1/8 to 8					69768-02	30					
69782-03	8-1/8 to 10-1/2					69786-01	69785-01	69768-06				23
69782-17	10-5/8 to 12-1/2					69786-03	69785-03	69768-07				
69782-18	12-5/8 to 14					69786-05	69785-05	69768-08				
69782-04	4 to 5		Bronze Dual Tread	69789-02	69790-02	69949-01	69950-01	69768-01				14
69782-05	5-1/8 to 8					69768-02	30					
69782-06	8-1/8 to 10-1/2					69786-01	69785-01	69768-06				23
69782-19	10-5/8 to 12-1/2					69786-03	69785-03	69768-07				
69782-20	12-5/8 to 14					69786-05	69785-05	69768-08				
69782-07	4 to 5	Yes	Steel Dual Tread	69789-01	69790-01	69949-02	69950-02	69768-01	14			
69782-08	5-1/8 to 8					69768-02	30					
69782-09	8-1/8 to 10-1/2					69786-02	69785-02	69768-06	23			
69782-21	10-5/8 to 12-1/2		69786-04	69785-04	69768-07							
69782-22	12-5/8 to 14		69786-06	69785-06	69768-08							
69782-10	4 to 5		Bronze Dual Tread	69789-02	69790-02	69949-02	69950-02	69768-01	14			
69782-11	5-1/8 to 8	69768-02				30						
69782-12	8-1/8 to 10-1/2	69786-02				69785-02	69768-06	23				
69782-23	10-5/8 to 12-1/2	69786-04	69785-04	69768-07								
69782-24	12-5/8 to 14	69786-06	69785-06	69768-08								
69782-13	3-1/4 to 5 (a)	No	Steel Flat	69895-01	69896-01	69949-01	69950-01	69768-01	14			
69782-14	3-1/4 to 5 (a)		Bronze Flat	69895-02	69896-02							
69782-15	3-1/4 to 5 (a)	Yes	Steel Flat	69895-01	69896-01	69949-02	69950-02	69768-01	14			
69782-16	3-1/4 to 5 (a)		Bronze Flat	69895-02	69896-02							

No Recommended Spare Parts

**NOTE:** (a) For operation on patented monorail track.

# PARTS LIST – PRODUCT SERIES 33

## 4-WHEEL GEARED TROLLEY ASSEMBLY DUAL DRIVE 5 IN. DIAMETER WHEEL – NON-SWIVELING – ONE MOUNTING STUD



### TROLLEY PARTS – 5" DIAMETER WHEELS

TROLLEY ASSEMBLY	BEAM FLANGE WIDTH (Inches)	DROP DOWN LUGS	WHEEL ASSEMBLY		SIDEPLATE	STUD	WASHER		NUT	COTTER PIN		
			4 PER TROLLEY		2 PER TROLLEY	1 PER TROLLEY			2 PER TROLLEY	2 PER TROLLEY		
			MATL.	ITEM 1	ITEM 2	ITEM 3	QTY/TRLY	ITEM 4	ITEM 5	ITEM 6		
70775-01	4 to 5	No	Steel Dual Tread	69790-01	69950-01	69768-01	14	PA5167	26-32	PA3796		
70775-02	5-1/8 to 8					69768-02					30	
70775-03	8-1/8 to 10-1/2					69785-01					69768-06	23
70775-17	10-5/8 to 12-1/2					69785-03					69768-07	
70775-18	12-5/8 to 14					69785-05					69768-08	
70775-04	4 to 5		Bronze Dual Tread	69790-02	69950-01	69768-01	14					
70775-05	5-1/8 to 8					69768-02					30	
70775-06	8-1/8 to 10-1/2					69785-01					69768-06	23
70775-19	10-5/8 to 12-1/2					69785-03					69768-07	
70775-20	12-5/8 to 14					69785-05					69768-08	
70775-07	4 to 5	Yes	Steel Dual Tread	69790-01	69950-02	69768-01	14					
70775-08	5-1/8 to 8					69768-02		30				
70775-09	8-1/8 to 10-1/2					69785-02		69768-06	23			
70775-21	10-5/8 to 12-1/2					69785-04		69768-07				
70775-22	12-5/8 to 14					69785-06		69768-08				
70775-10	4 to 5		Bronze Dual Tread	69790-02	69950-02	69768-01	14					
70775-11	5-1/8 to 8					69768-02		30				
70775-12	8-1/8 to 10-1/2					69785-02		69768-06	23			
70775-23	10-5/8 to 12-1/2					69785-04		69768-07				
70775-24	12-5/8 to 14					69785-06		69768-08				
70775-13	3-1/4 to 5 (a)	No	Steel Flat	69896-01	69950-01	69768-01	14					
70775-14	3-1/4 to 5 (a)	Bronze Flat	69896-02									
70775-15	3-1/4 to 5 (a)	Yes	Steel Flat	69896-01	69950-02							
70775-16	3-1/4 to 5 (a)	Bronze Flat	69896-02									

No Recommended Spare Parts

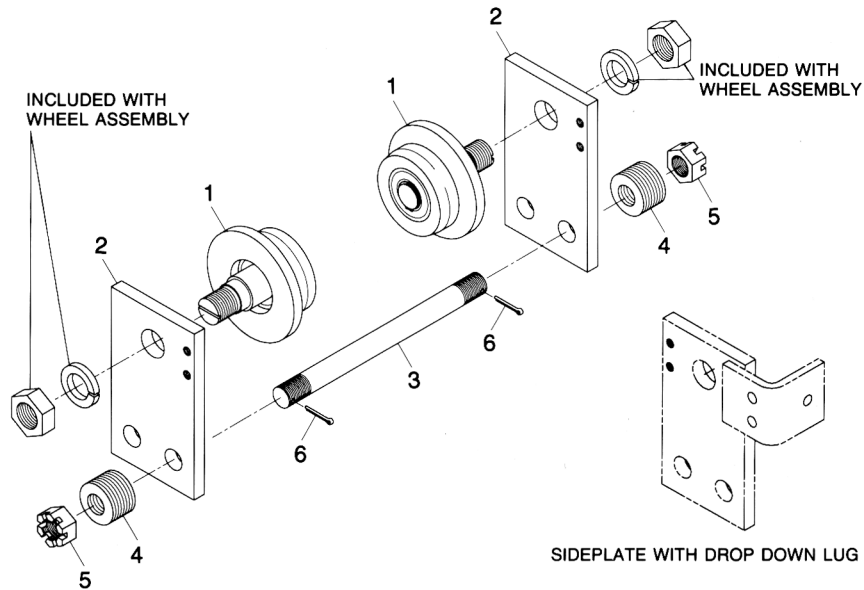
**NOTE:** (a) For operation on patented monorail track.

**THIS PAGE INTENTIONALLY  
LEFT BLANK**



# PARTS LIST – PRODUCT SERIES 33

## 2-WHEEL PLAIN TROLLEY ASSEMBLY 6 IN. DIAMETER WHEEL – NON-SWIVELING – TWO MOUNTING STUDS



### TROLLEY PARTS – 6" DIAMETER WHEELS

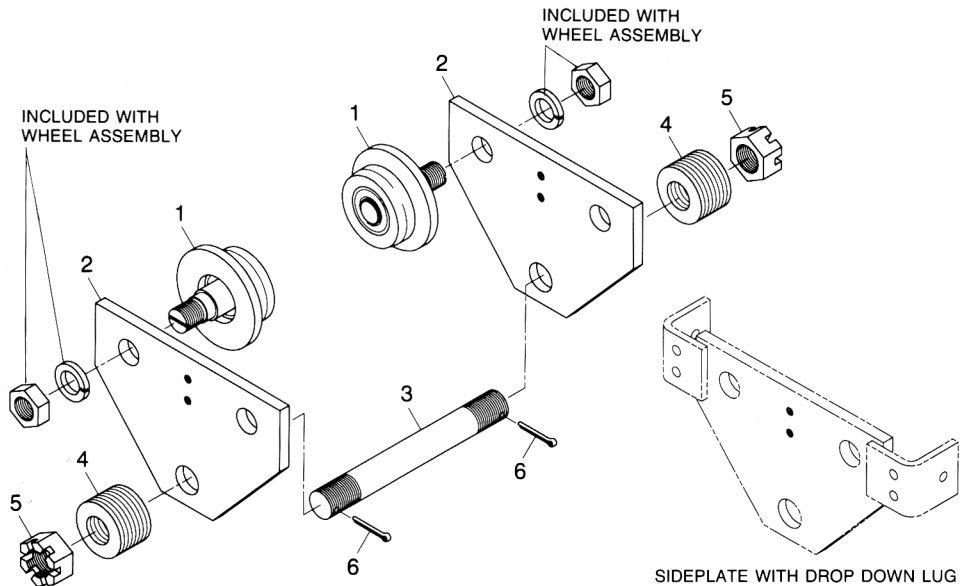
TROLLEY ASSEMBLY	BEAM FLANGE WIDTH (Inches)	DROP DOWN LUGS	WHEEL ASSEMBLY		SIDEPLATE	SIDEPLATE	STUD	WASHER		NUT	COTTER PIN
			2 PER TROLLEY		1 PER TROLLEY	1 PER TROLLEY	2 PER TROLLEY			4 PER TROLLEY	4 PER TROLLEY
			MATL.	ITEM 1	ITEM 2	ITEM 2	ITEM 3	QTY/TRLY	ITEM 4	ITEM 5	ITEM 6
69988-01	4-1/2 to 5	No	Steel Dual Tread	69974-01	69986-01	69986-01	69766-04	36	A210-03	26-20	PA1355
69988-02	5-1/8 to 8				69766-05	76					
69988-03	8-1/8 to 10-1/2				69987-01	69987-01	69766-06	40			
69988-17	10-5/8 to 12-1/2				69987-04	69987-04	69766-07				
69988-18	12-5/8 to 14				69987-07	69987-07	69766-08				
69988-04	4-1/2 to 5		Bronze Dual Tread	69974-02	69986-01	69986-01	69766-04	36			
69988-05	5-1/8 to 8				69766-05	76					
69988-06	8-1/8 to 10-1/2				69987-01	69987-01	69766-06	40			
69988-19	10-5/8 to 12-1/2				69987-04	69987-04	69766-07				
69988-20	12-5/8 to 14				69987-07	69987-07	69766-08				
69988-07	4-1/2 to 5	Yes	Steel Dual Tread	69974-01	69986-02	69986-03	69766-04	36			
69988-08	5-1/8 to 8				69766-05	76					
69988-09	8-1/8 to 10-1/2				69987-02	69987-03	69766-06	40			
69988-21	10-5/8 to 12-1/2				69987-05	69987-06	69766-07				
69988-22	12-5/8 to 14		69987-08	69987-09	69766-08						
69988-10	4-1/2 to 5		Bronze Dual Tread	69974-02	69986-02	69986-03	69766-04	36			
69988-11	5-1/8 to 8				69766-05	76					
69988-12	8-1/8 to 10-1/2				69987-02	69987-03	69766-06	40			
69988-23	10-5/8 to 12-1/2	69987-05			69987-06	69766-07					
69988-24	12-5/8 to 14	69987-08	69987-09	69766-08							
69988-13	3-1/4 to 5 (a)	No	Steel Flat	69976-01	69986-01	69986-01	69766-04	36			
69988-14	3-1/4 to 5 (a)		Bronze Flat	69976-02							
69988-15	3-1/4 to 5 (a)	Yes	Steel Flat	69976-01	69986-02	69986-03					
69988-16	3-1/4 to 5 (a)		Bronze Flat	69976-02							

No Recommended Spare Parts

**NOTE:** (a) For operation on patented monorail track.

# PARTS LIST – PRODUCT SERIES 33

## 4-WHEEL PLAIN TROLLEY ASSEMBLY 6 IN. DIAMETER WHEEL – NON-SWIVELING – ONE MOUNTING STUD



### TROLLEY PARTS – 6" DIAMETER WHEELS

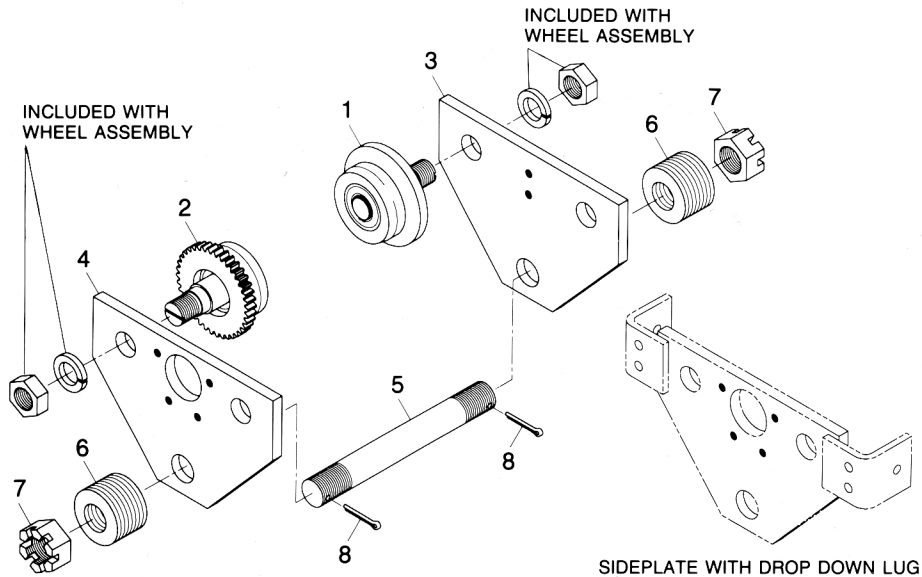
TROLLEY ASSEMBLY	BEAM FLANGE WIDTH (Inches)	DROP DOWN LUGS	WHEEL ASSEMBLY		SIDEPLATE	STUD	WASHER		NUT	COTTER PIN
			4 PER TROLLEY		2 PER TROLLEY	1 PER TROLLEY			2 PER TROLLEY	2 PER TROLLEY
			MATL.	ITEM 1	ITEM 2	ITEM 3	QTY/TRLY	ITEM 4	ITEM 5	ITEM 6
69993-01	4-1/2 to 5	No	Steel Dual Tread	69974-01	69979-01	69768-04	16	PA5167	26-32	PA3796
69993-02	5-1/8 to 8				69980-01	69768-05	18			
69993-03	8-1/8 to 10-1/2				69981-01	69768-06	20			
69993-17	10-5/8 to 12-1/2				69981-03	69768-07				
69993-18	12-5/8 to 14				69981-05	69768-08				
69993-04	4-1/2 to 5		Bronze Dual Tread	69974-02	69979-01	69768-04	16			
69993-05	5-1/8 to 8				69980-01	69768-05	18			
69993-06	8-1/8 to 10-1/2				69981-01	69768-06	20			
69993-19	10-5/8 to 12-1/2				69981-03	69768-07				
69993-20	12-5/8 to 14				69981-05	69768-08				
69993-07	4-1/2 to 5	Yes	Steel Dual Tread	69974-01	69979-02	69768-04	16			
69993-08	5-1/8 to 8				69980-02	69768-05	18			
69993-09	8-1/8 to 10-1/2				69981-02	69768-06	20			
69993-21	10-5/8 to 12-1/2		69981-04	69768-07						
69993-22	12-5/8 to 14		69981-06	69768-08						
69993-10	4-1/2 to 5		Bronze Dual Tread	69974-02	69979-02	69768-04	16			
69993-11	5-1/8 to 8	69980-02			69768-05	18				
69993-12	8-1/8 to 10-1/2	69981-02			69768-06	20				
69993-23	10-5/8 to 12-1/2	69981-04			69768-07					
69993-24	12-5/8 to 14			69981-06	69768-08					
69993-13	3-1/4 to 5 (a)	No	Steel Flat	69976-01	69979-01	69768-04	16			
69993-14	3-1/4 to 5 (a)		Bronze Flat	69976-02						
69993-15	3-1/4 to 5 (a)	Yes	Steel Flat	69976-01	69979-02					
69993-16	3-1/4 to 5 (a)		Bronze Flat	69976-02						

No Recommended Spare Parts

**NOTE:** (a) For operation on patented monorail track.

# PARTS LIST – PRODUCT SERIES 33

## 4-WHEEL GEARED TROLLEY ASSEMBLY 6 IN. DIAMETER WHEEL – NON-SWIVELING – ONE MOUNTING STUD



### TROLLEY PARTS – 6" DIAMETER WHEELS

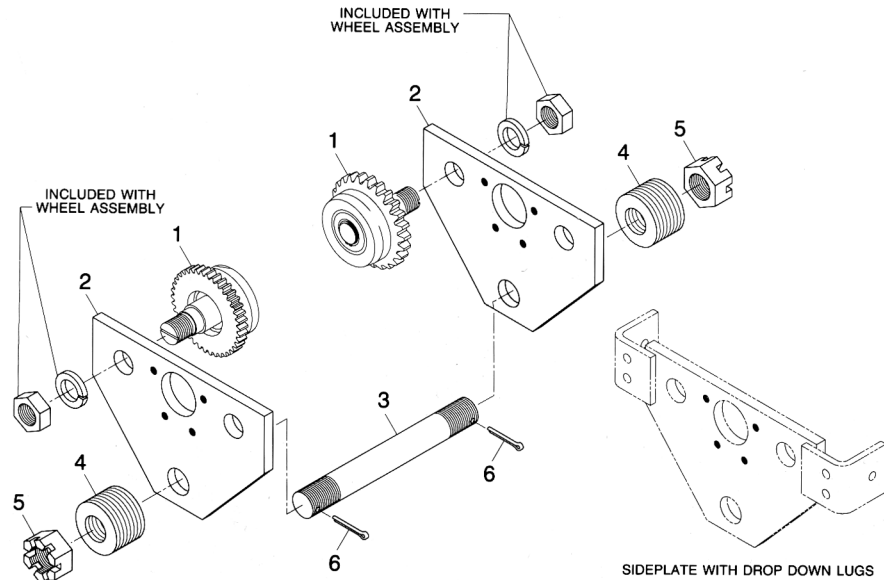
TROLLEY ASSEMBLY	BEAM FLANGE WIDTH (Inches)	DROP DOWN LUGS	WHEEL ASSEMBLY			SIDEPLATE	SIDEPLATE	STUD	WASHER		NUT	COTTER PIN
			2 EACH PER TROLLEY			1 PER TROLLEY	1 PER TROLLEY	1 PER TROLLEY			2 PER TROLLEY	2 PER TROLLEY
			MATL.	PLAIN ITEM 1	GEARED ITEM 2	ITEM 3	ITEM 4	ITEM 5	QTY/TRLY	ITEM 6	ITEM 7	ITEM 8
69994-01	4-1/2 to 5	No	Steel Dual Tread	69974-01	69975-01	69979-01	69982-01	69768-04	16	PA5167	26-32	PA3796
69994-02	5-1/8 to 8					69980-01	69983-01	69768-05	18			
69994-03	8-1/8 to 10-1/2					69981-01	69984-01	69768-06	20			
69994-17	10-5/8 to 12-1/2					69981-03	69984-03	69768-07				
69994-18	12-5/8 to 14					69981-05	69984-05	69768-08				
69994-04	4-1/2 to 5		Bronze Dual Tread	69974-02	69975-02	69979-01	69982-01	69768-04	16			
69994-05	5-1/8 to 8					69980-01	69983-01	69768-05	18			
69994-06	8-1/8 to 10-1/2					69981-01	69984-01	69768-06	20			
69994-19	10-5/8 to 12-1/2					69981-03	69984-03	69768-07				
69994-20	12-5/8 to 14					69981-05	69984-05	69768-08				
69994-07	4-1/2 to 5	Yes	Steel Dual Tread	69974-01	69975-01	69979-02	69982-02	69768-04	16			
69994-08	5-1/8 to 8					69980-02	69983-02	69768-05	18			
69994-09	8-1/8 to 10-1/2					69981-02	69984-02	69768-06	20			
69994-21	10-5/8 to 12-1/2		69981-04	69984-04	69768-07							
69994-22	12-5/8 to 14		69981-06	69984-06	69768-08							
69994-10	4-1/2 to 5		Bronze Dual Tread	69974-02	69975-02	69979-02	69982-02	69768-04	16			
69994-11	5-1/8 to 8	69980-02				69983-02	69768-05	18				
69994-12	8-1/8 to 10-1/2	69981-02				69984-02	69768-06	20				
69994-23	10-5/8 to 12-1/2	69981-04				69984-04	69768-07					
69994-24	12-5/8 to 14	69981-06	69984-06	69768-08								
69994-13	3-1/4 to 5 (a)	No	Steel Flat	69976-01	69977-01	69979-01	69982-01	69768-04	16			
69994-14	3-1/4 to 5 (a)		Bronze Flat	69976-02	69977-02							
69994-15	3-1/4 to 5 (a)	Yes	Steel Flat	69976-01	69977-01	69979-02	69982-02	69768-04	16			
69994-16	3-1/4 to 5 (a)		Bronze Flat	69976-02	69977-02							

No Recommended Spare Parts

**NOTE:** (a) For operation on patented monorail track.

# PARTS LIST – PRODUCT SERIES 33

## 4-WHEEL GEARED TROLLEY ASSEMBLY DUAL DRIVE 6 IN. DIAMETER WHEEL – NON-SWIVELING – ONE MOUNTING STUD



### TROLLEY PARTS – 6" DIAMETER WHEELS

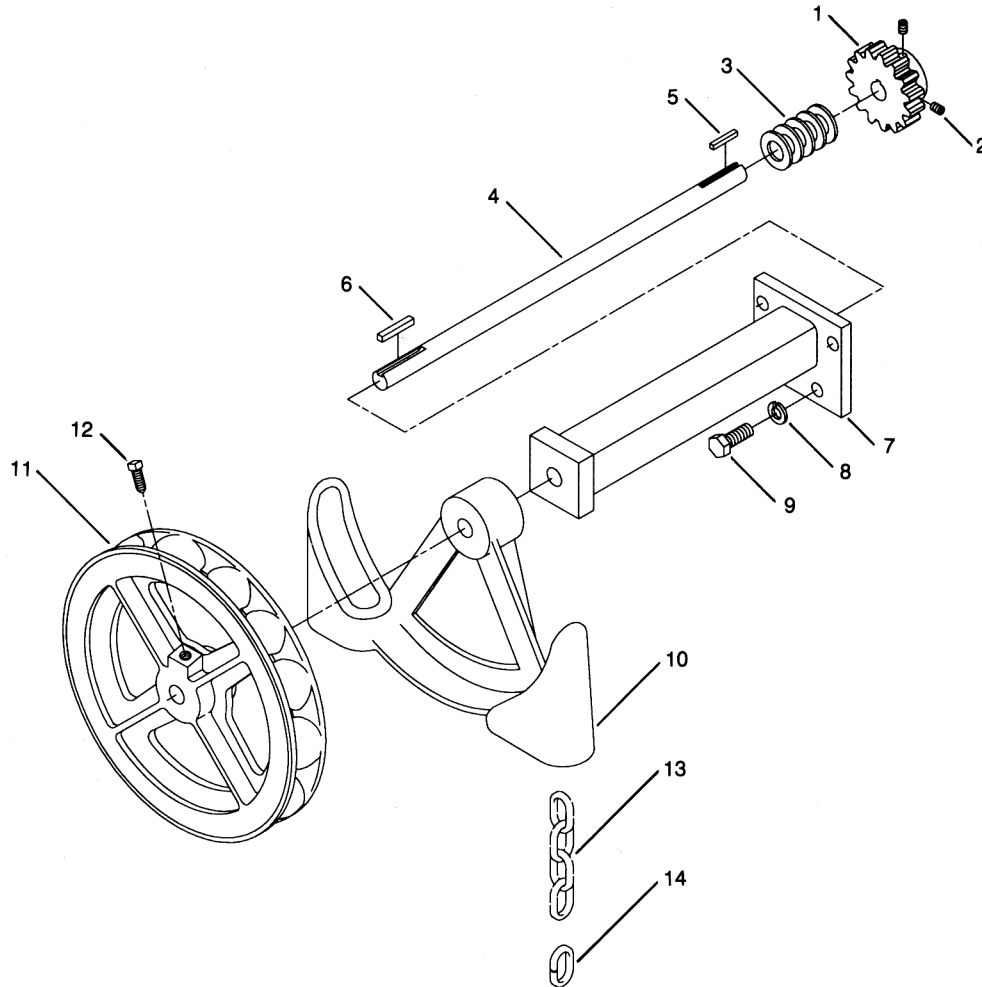
TROLLEY ASSEMBLY	BEAM FLANGE WIDTH (Inches)	DROP DOWN LUGS	WHEEL ASSEMBLY		SIDEPLATE	STUD	WASHER		NUT	COTTER PIN
			4 PER TROLLEY				ITEM 2	ITEM 3		
			MATL.	ITEM 1	ITEM 2	ITEM 3				
69997-01	4-1/2 to 5	No	Steel Dual Tread	69975-01	69982-01	69768-04	16	PA5167	26-32	PA3796
69997-02	5-1/8 to 8				69983-01	69768-05	18			
69997-03	8-1/8 to 10-1/2				69984-01	69768-06	20			
69997-17	10-5/8 to 12-1/2				69984-03	69768-07				
69997-18	12-5/8 to 14				69984-05	69768-08				
69997-04	4-1/2 to 5		Bronze Dual Tread	69975-02	69982-01	69768-04	16			
69997-05	5-1/8 to 8				69983-01	69768-05	18			
69997-06	8-1/8 to 10-1/2				69984-01	69768-06	20			
69997-19	10-5/8 to 12-1/2				69984-03	69768-07				
69997-20	12-5/8 to 14				69984-05	69768-08				
69997-07	4-1/2 to 5	Yes	Steel Dual Tread	69975-01	69982-02	69768-04	16			
69997-08	5-1/8 to 8				69983-02	69768-05	18			
69997-09	8-1/8 to 10-1/2				69984-02	69768-06	20			
69997-21	10-5/8 to 12-1/2				69984-04	69768-07				
69997-22	12-5/8 to 14				69984-06	69768-08				
69997-10	4-1/2 to 5		Bronze Dual Tread	69975-02	69982-02	69768-04	16			
69997-11	5-1/8 to 8				69983-02	69768-05	18			
69997-12	8-1/8 to 10-1/2				69984-02	69768-06	20			
69997-23	10-5/8 to 12-1/2				69984-04	69768-07				
69997-24	12-5/8 to 14				69984-06	69768-08				
69997-13	3-1/4 to 5 (a)	No	Steel Flat	69977-01	69982-01	69768-04	16			
69997-14	3-1/4 to 5 (a)		Bronze Flat	69977-02						
69997-15	3-1/4 to 5 (a)	Yes	Steel Flat	69977-01	69982-02					
69997-16	3-1/4 to 5 (a)		Bronze Flat	69977-02						

No Recommended Spare Parts

**NOTE:** (a) For operation on patented monorail track.

# PARTS LIST – PRODUCT SERIES 33

## HAND-GEARED TROLLEY DRIVE PARALLEL MOUNTED HOIST



### HAND-GEARED TROLLEY DRIVE PARTS

ITEM NO.	PART NUMBER	DESCRIPTION	QTY
1	69788	Pinion 15T	1
2	12-5-4	Set Screw 5/16-18x 1/4	2
3	15-12-1C	Washer	5
4	69798	Shaft	1
5	52674	Key 3/16 Sq. x 1-1/4	1
6	PA6956	Key 1/4 Sq. x 1-5/8	1
7	69803	Bearing	1

ITEM NO.	PART NUMBER	DESCRIPTION	QTY
8	17-8C	Lockwasher 1/2	4
9	35-8-20C	Bolt 1/2-13x 1-1/4	4
10	B2143-1	Handchain Guide	1
11	B464-4	Handwheel	1
12	14-6-16	Set Screw	1
13	(a)	Handchain	1
14	(a)	Open Link	1

No Recommended Spare Parts

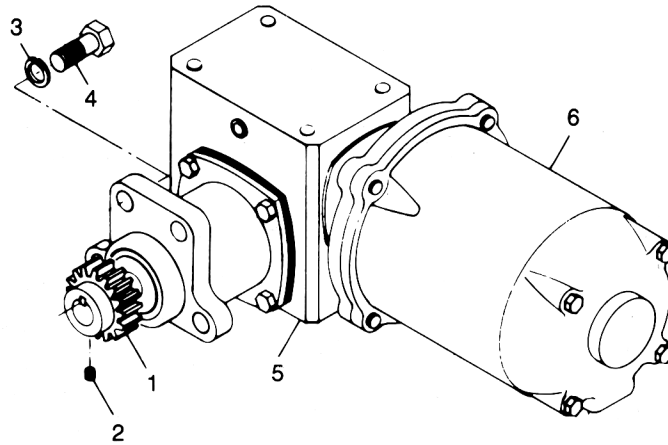
### NOTES:

- (a) When ordering handchain, order Part Number (see below) and specify length.
- (b) Federal Specification QQ-Z-325, Type I, Class 3.
- (c) Federal Specification QQ-Z-325, Type I, Class 2.

TYPE OF TROLLEY	CHAIN MATERIAL	HANDCHAIN	OPEN LINK
Steel Wheels	Steel, Zinc Electro Plated (Acco Std) (b)	48158-1	60252-01
Steel Wheels	Steel, Zinc Electro Plated (c)	48158-11	60252-11
Bronze Wheels	Aluminum	48159-1	PA3985

# PARTS LIST – PRODUCT SERIES 33

## MOTORIZED TROLLEY DRIVE



### MOTORIZED TROLLEY DRIVE PARTS

ITEM NO.	PART NO.	DESCRIPTION	MONORAIL TROLLEY QUANTITY	TOP-RUNNING TROLLEY QUANTITY
1	69788	Pinion (15 teeth)	1	0
	62214	Pinion (14 teeth)	0	1
2	12-5-4	Set Screw	2	0
	12-4-4C	Set Screw	0	2
3	17-8C	Lockwasher	4	4
4	35-8-20C	Hex Head Bolt	4	4
5	(a)	Right-Angle Gear Reducer	1	1
6	(b)	Motor	1	1
Not Shown	69807	EP Moly D Grease	(c)	(c)

No Recommended Spare Parts

#### NOTES:

(a) Select right-angle gear reducer as specified from the following:

- Part No. 71056-4X, 20:1 Reduction, 50 FPM Monorail Trolley or 32 FPM Top-Running Trolley, (standard).
- Part No. 71056-2X, 10:1 Reduction, 100 FPM Monorail Trolley or 65 FPM Top-Running Trolley, (standard).
- Part No. 71056-0X, 5:1 Reduction, 125 FPM Top-Running Trolley, (standard).
- Part No. 71056-5X, 30:1 Reduction, 33 FPM Monorail Trolley, (non-standard).
- Part No. 71056-3X, 15:1 Reduction, 65 FPM Monorail Trolley, (non-standard).
- Part No. 71056-1X, 7.5:1 Reduction, 125 FPM Monorail Trolley, (non-standard).

X = Reducer Mounting Position Number 1, 2, 3 or 4. See Serial Record for position used. Complete the part number by inserting the position number in place of the 'X'.

(b) Trolley motor brake is optional on motorized right-angle gear reducer trolley drive. Motors for monorail trolley drive without motor brake have one shaft extension. Motors for monorail trolley drive with motor brake have two shaft extensions. Motors for top-running trolley drive with or without motor brake have one shaft extension. Select motor as specified from the following:

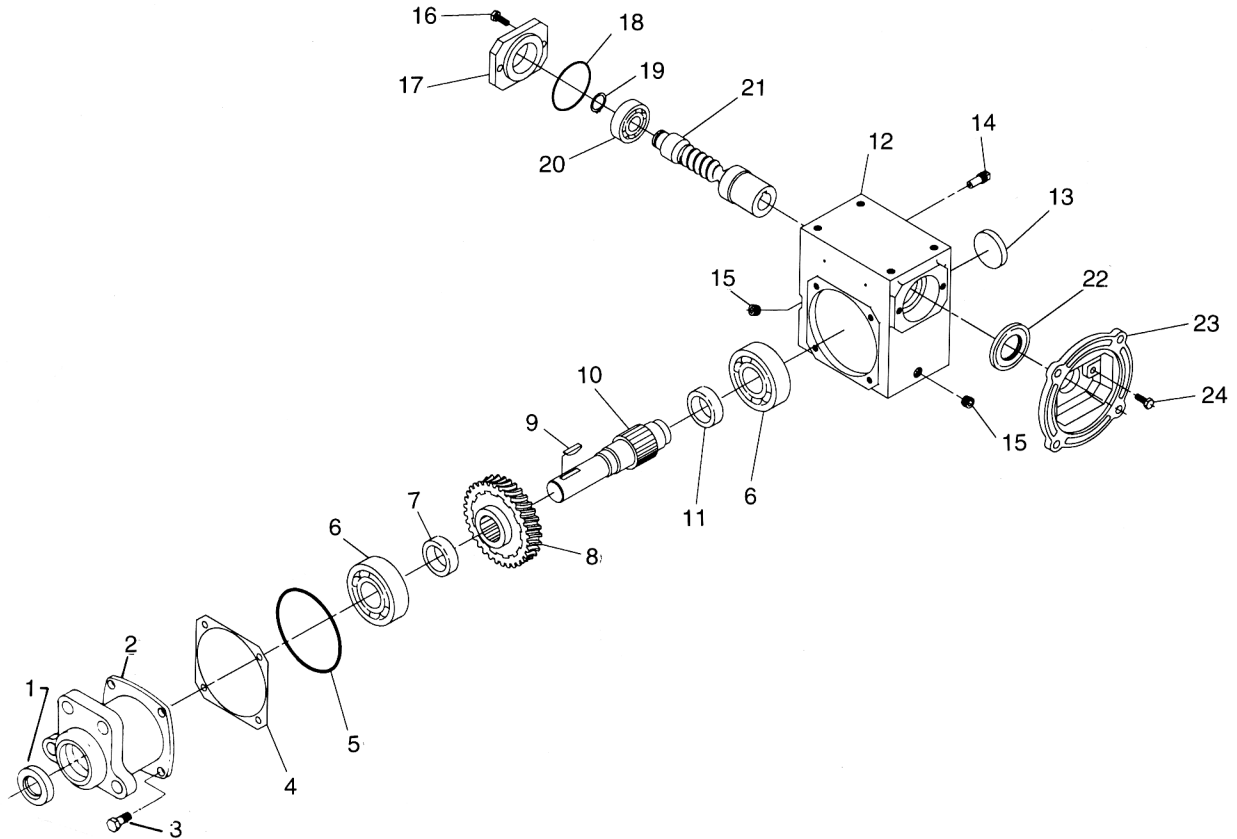
PART NO. MOTOR WITH ONE SHAFT EXT.	PART NO. MOTOR WITH TWO SHAFT EXT.	VOLTAGE	HP	RPM	SPEED	FRAME
61010-01	65818-04	200	1/2	1800	Single	56C
61010-02	65818-05	208/230/460				
61010-03	65818-06	575				
61010-04	65818-10	200	1	1800/600	Two	
61010-05	65818-11	208/230/460				
61010-06	65818-12	575				
61012-01	65819-01	200	1/2 / 1/6	1800/600	Two	
61012-02	65819-02	230				
61012-03	65819-03	460				
61012-04	65819-04	575	1 / 1/3	1800/600	Two	
61012-05	65819-09	200				
61012-06	65819-10	230				
61012-07	65819-11	460				
61012-08	65819-12	575				

For other specified special motors, refer to additional information pages supplied with manual.

(c) Exposed gears and pinions on trolleys are shipped from the factory without lubricant. Lyondell® EP Moly D Grease, packaged in a 4-ounce squeeze bottle container, is furnished with all hoists that have trolleys specified. Refer to LUBRICATION section of Manual 69833: Installation, Operation, and Maintenance Manual for WRIGHT® WORK-RATED® Wire Rope Electric Hoists. Additional containers of Lyondell® EP Moly D Grease, packaged in a 4-ounce squeeze bottle, can be obtained by ordering Acco® part no. 69807.

# PARTS LIST — PRODUCT SERIES 33

## MOTORIZED TROLLEY RIGHT-ANGLE GEAR REDUCER



### RIGHT-ANGLE GEAR REDUCER PARTS

ITEM NO.	PART NUMBER	DESCRIPTION	QTY/ ASSY
1	V93216A	Oil Seal	1 ▲
2	V28631C	Adapter	1
3	V91012A	Hex Head Cap Screw	4
4	VZ17T	Output Cover Shim	AR
5	V95769A	O-Ring	1
6	V40831	Output Bearing, Cone	2
	V40832	Output Bearing, Cup	2
7	VY17SG	Gear Spacer	1
8	VG17S05	Worm Gear 5:1	1
	VG17S07	Worm Gear 7.5:1	
	VG17S10	Worm Gear 10:1	
	VG17S15	Worm Gear 15:1	
	VG17S20	Worm Gear 20:1	
	VG17S30	Worm Gear 30:1	
9	V40267	Woodruff Key	1
10	VS17SGX01	Output Shaft	1
11	VY17SG	Gear Spacer	1
12	VH17SG	Gear Housing	1

ITEM NO.	PART NUMBER	DESCRIPTION	QTY/ ASSY
13	V93224A	Expansion Plug	1
14	V41752	Vent Plug	1
15	V40411	Pipe Plug	4
16	V91012A	Hex Head Cap Screw	2
17	VC13NB	Input Cover	1
18	V95771A	O-Ring	1
19	V41050	Retaining Ring	1
20	V40257	Input Bearing	1
21	V36086B	Quill Input Shaft 5:1	1
	V36530B	Quill Input Shaft 7.5:1	
	V36087B	Quill Input Shaft 10:1	
	V36088B	Quill Input Shaft 15:1	
	V36089B	Quill Input Shaft 20:1	
	V36091B	Quill Input Shaft 30:1	
22	V93212A	Oil Seal	1 ▲
23	VF13Q56	Quill Motor Flange	1
24	V91012A	Hex Head Cap Screw	2

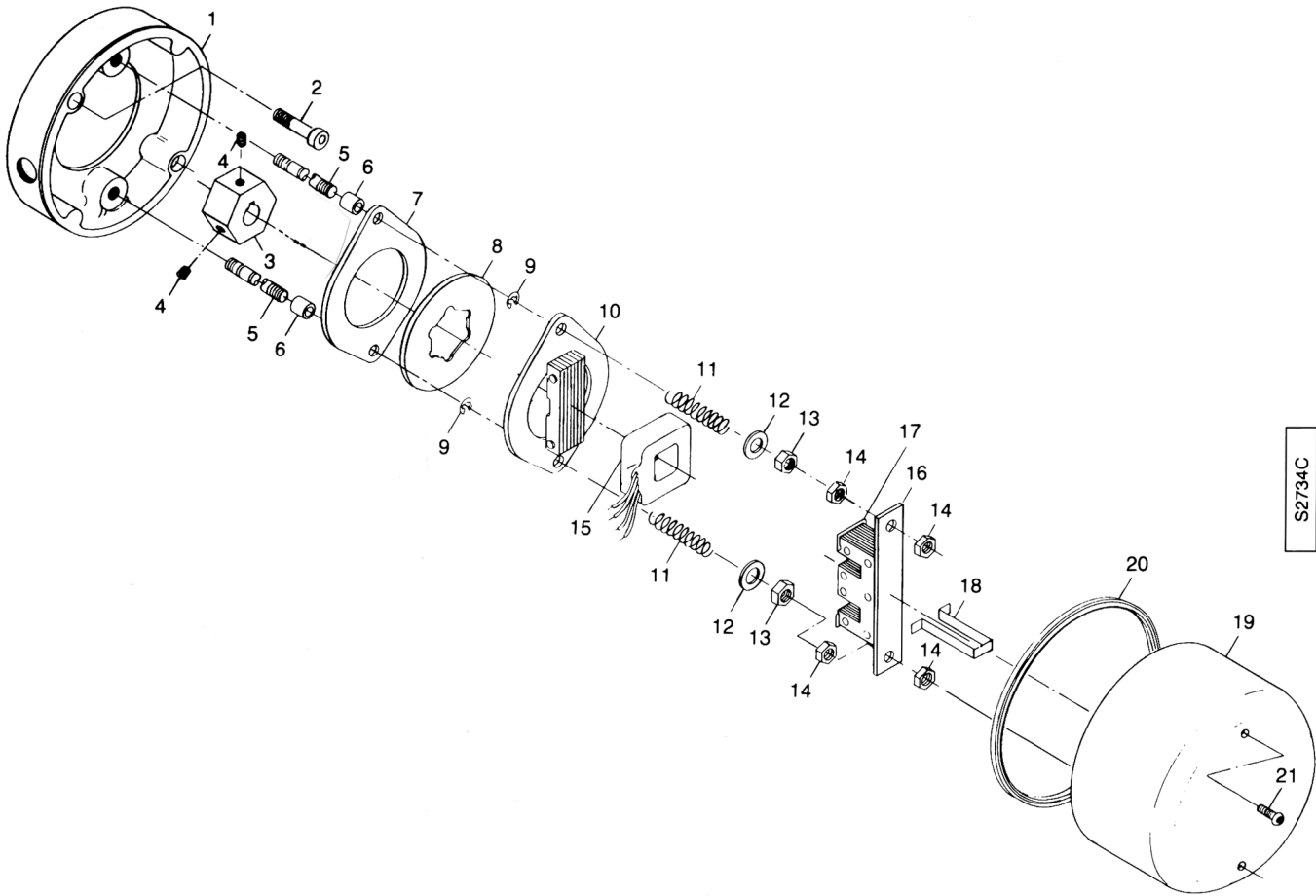
▲ Recommended Spare Parts

#### NOTE:

Approximate capacity of oil bath is 1 pint. Refer to Lubrication section of Manual 69833.

# PARTS LIST – PRODUCT SERIES 33

## TROLLEY MOTOR BRAKE ASSEMBLY



### TROLLEY MOTOR BRAKE PARTS

ITEM NO.	PART NUMBER	DESCRIPTION	QTY/ ASSY
1	65653	Adapter	1
2	1-6-24	Bolt, 3/8-16 x 1-1/2 lg	2
3	65654	Hub	1
4	12-4-6	Set Screw	2
5	65655	Stud	2
6	61459	Spacer	2
7	39794	Brake Plate	1
8▲	39649	Brake Lining	1
9	PA5623	Retaining Ring	2
10	39781	Pressure Unit	1
11	PA5823	Spring	2
12	15-6-1	Flat Washer	2

ITEM NO.	PART NUMBER	DESCRIPTION	QTY/ ASSY
13	PA2377	Locknut	2
14	24-6	Jam Nut, 3/8	4
15▲		Coil	1
	39783-2	575 VAC	
	39783-3	230/460 VAC	
	39783-6	208 VAC	
16	39780	Magnet Unit	1
17	39784	Shading Coil (a)	2
18	39877	Coil Strap	1
19	69161	Brake Cover	1
20	PA7110	Gasket	1.77 ft
21▲	PA7323	Screw, LOC-WEL, #10-24 (b)	2

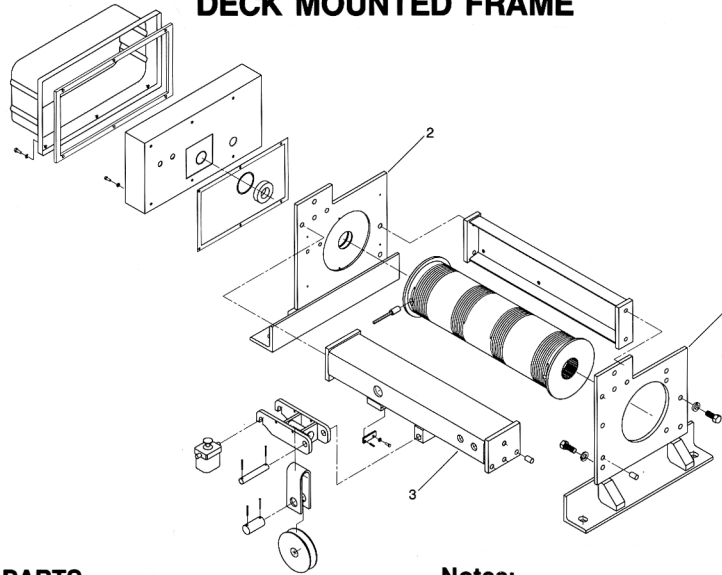
#### ▲ Recommended Spare Parts

- (a) Shading Coil is furnished with Magnet Unit, but also available as a spare.
- (b) Screw with self-locking feature must be utilized. Substitutes are not permissible.
- (c) Trolley motor brake assembly shown on this page is the optional brake used on motorized right-angle gear reducer monorail trolley drives. For the optional brake used on motorized right-angle gear reducer top-running trolley drives, refer to additional information pages supplied with manual.



# PARTS LIST – PRODUCT SERIES 33

## DECK MOUNTED FRAME



### DECK MOUNTED FRAME PARTS

ITEM NO.	DESCRIPTION	QUANTITY	PART NO.
1	End Plate, Deck Mounted Gear End	1	69998
2	End Plate, Deck Mounted Control End	1	69999
3	Frame, 2-Part Double	1	(a)
3	Frame, 4-Part Double	1	(a)
3	Frame, 2-Part & 4-Part Single	1	(a)

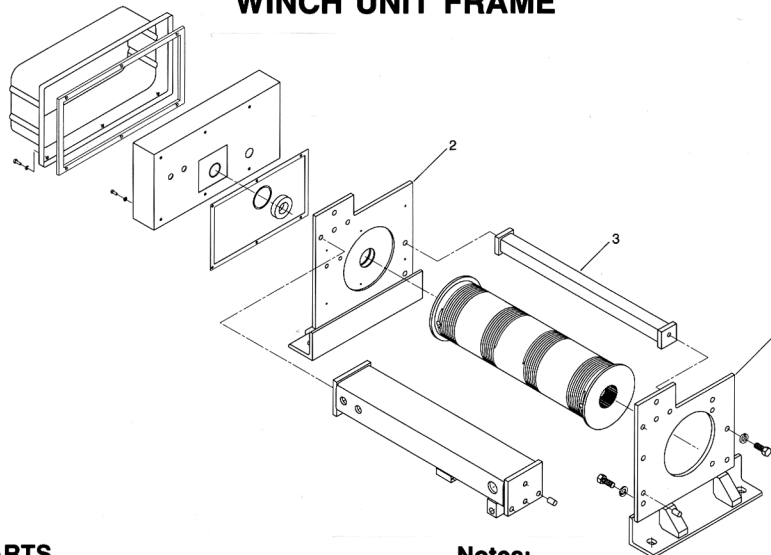
No Recommended Spare Parts

### Notes:

For part numbers of other parts shown, refer to page 11 for 2PS reeving, page 12 for 4PS reeving, page 13 for 2PD reeving, or page 14 for 4PD reeving.

(a) Frames for 2PS reeving are shown on page 11. Frames for 4PS reeving are shown on page 12. Frames for 2PD reeving for drum numbers 2, 3, 4, and 5 are shown on page 13. Frame part number for 2PD reeving for drum number 6 is 70007. Frame for 4PD reeving for drum number 4 is shown on page 14. Frame part number for 4PD reeving for drum number 5 is 70010-05. Frame part number for 4PD reeving for drum number 6 is 70010-06.

## WINCH UNIT FRAME



### WINCH UNIT FRAME PARTS

ITEM NO.	DESCRIPTION	QUANTITY	PART NO.
1	End Plate, Winch Gear End	1	70000
2	End Plate, Winch Control End	1	70001
3	Side Frame, Winch	1	(a)

No Recommended Spare Parts

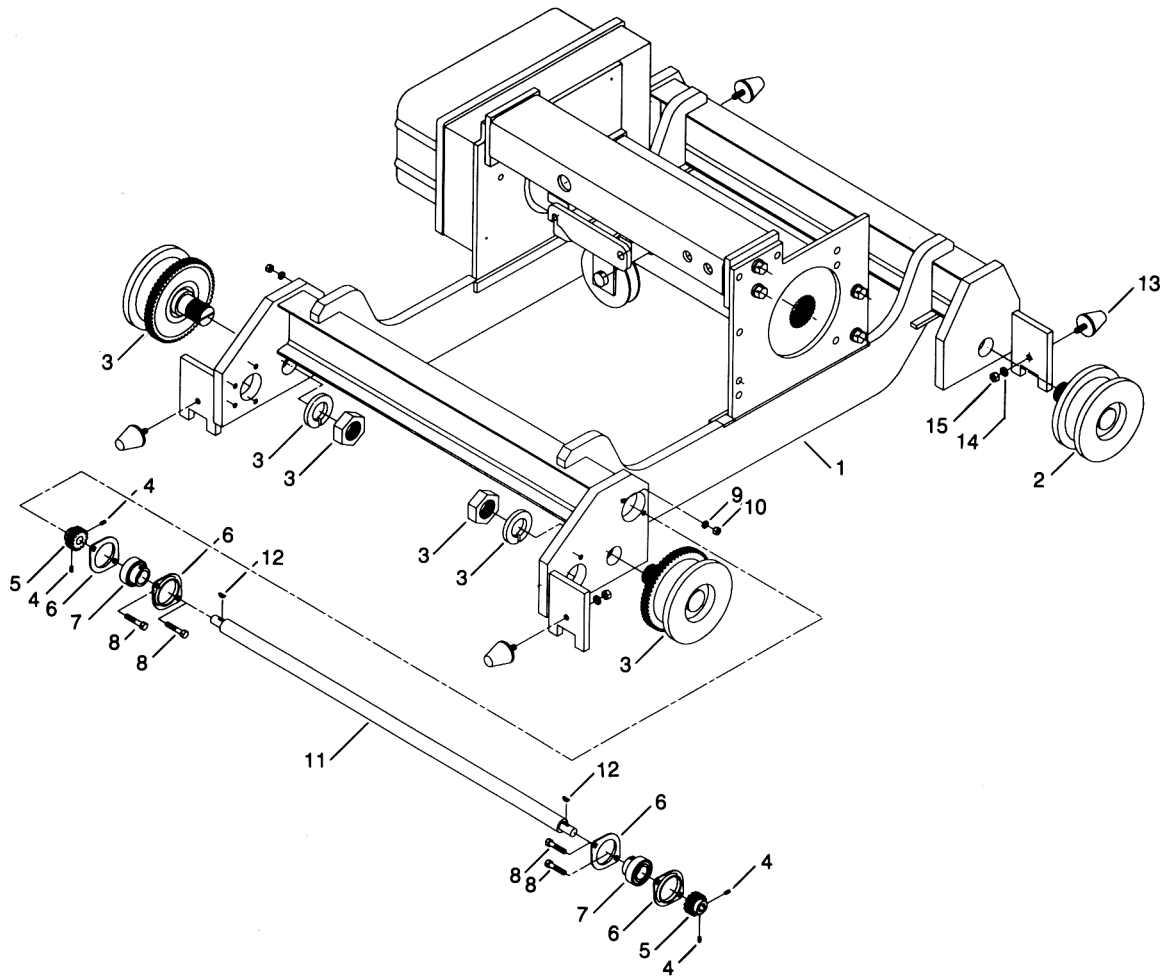
### Notes:

For part numbers of other parts shown, refer to page 11 for 2PS reeving, page 12 for 4PS reeving, page 13 for 2PD reeving, or page 14 for 4PD reeving.

(a) Winch side frame part number 70003-XX is available in various lengths. Contact Acco Chain & Lifting Products or the distributor of the hoist with hoist product number and/or hoist serial number.

# PARTS LIST – PRODUCT SERIES 33

## TOP-RUNNING TROLLEY



### TOP-RUNNING TROLLEY FRAME PARTS

ITEM NO.	DESCRIPTION	QUANTITY	PART NO.
1	Trolley Frame, Trolley End Beams, End Plates, Gear End and Control End	1	(a)
2	Plain Wheel Assembly	2	69421-02
3	Geared Wheel Assembly	2	69421-01
4	Set Screw	4	12-4-4C
5	Pinion	2	62214
6	Bearing Flange	4	PA6154
7	Bearing	2	PA6153
8	Hex Head Bolt	4	35-6-28
9	Lockwasher	4	17-6C
10	Nut	4	22-6
11	Shaft, Wheel Gage 60" (b)	1	69335
12	Woodruff Key	2	PA1357
13	Bumper (Optional)	4	65226
14	Lockwasher (Optional)	4	17-7
15	Nut (Optional)	4	22-7

### NOTES:

For part numbers of other suspension frame parts, refer to page 13 for 2PD reeving or page 14 for 4PD reeving.

(a) Trolley side frame, trolley end beams, and hoist end plates are a single welded unit. Contact Acco Chain & Lifting Products or the distributor of the hoist with hoist product number and/or hoist serial number; and wheel gage of trolley.

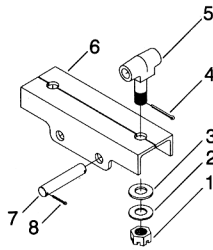
(b) When dual motorized trolley drives are used, item numbers 4, 5, 6, 7, 8, 9, 10, 11 and 12 are not used. Trolleys with a wheel gage of 78" always use dual drives.

(c) Hoist frames for 2PD reeving for drum numbers 2, 3, 4, and 5 are shown on page 13. Hoist frame part number for 2PD reeving for drum number 6 is 70007. Hoist frame for 4PD reeving for number 4 is shown on page 14. Hoist frame part number for 4PD reeving for drum number 5 is 70010-05. Hoist frame part number for 4PD reeving for drum number 6 is 70010-06.

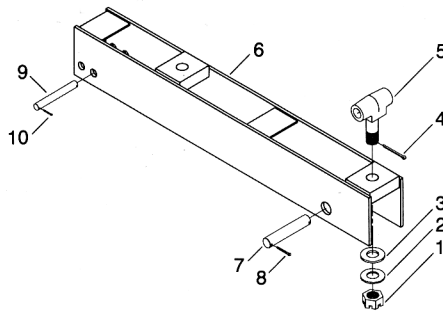
No Recommended Spare Parts

# PARTS LIST – PRODUCT SERIES 33

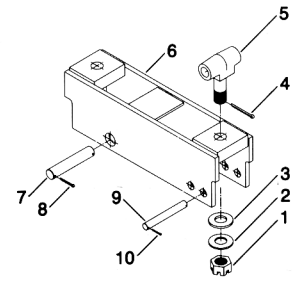
## LOADBAR ASSEMBLY – FOR SWIVELING TROLLEYS - PARALLEL MOUNTED HOIST



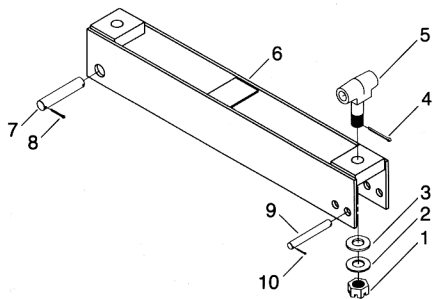
**FIGURE A**  
2 PART SINGLE DRUM NO. 1



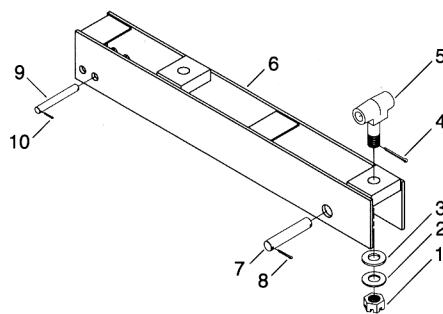
**FIGURE B**  
2 PART SINGLE DRUM NOS. 2, 3, 4, 5, 6



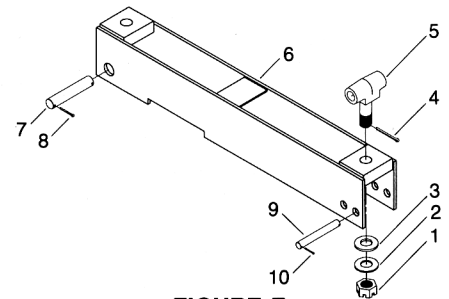
**FIGURE C**  
2 PART DOUBLE DRUM NO. 2



**FIGURE D**  
2 PART DOUBLE DRUM NOS. 3, 4, 5, 6



**FIGURE E**  
4 PART SINGLE DRUM NOS. 3, 4, 5, 6



**FIGURE F**  
4 PART DOUBLE DRUM NOS. 4, 5, 6

### LOADBAR PARTS

ITEM. NO.	REFER TO FIGURE DESCRIPTION	A		C		B, D, E & F	
		PART NUMBER	QTY	PART NUMBER	QTY	PART NUMBER	QTY
1	Hex Slotted Nut	26-28	2	26-28	2	26-28	2
2	Thrust Washer	A4421	2	A4421	2	A4421	2
3	Thrust Bearing	A4420	2	A4420	2	A4420	2
4	Cotter Pin	PA1484	2	PA1484	2	PA1484	2
5	Suspension Stud	63160	2	63161	2	63161	2
6	Loadbar	70828	1	70709	1	(a) (b)	1
7	Pin	63208-02	2	63029-03	1	63029-03	1
8	Cotter Pin	PA1932	4	PA1484	2	PA1484	2
9	Pin	-	-	63295-02	2	63295-02	2
10	Cotter Pin	-	-	PA1771	4	PA1771	4

No Recommended Spare Parts

#### NOTES:

For trolley parts, refer to pages 33, 34, 35, 38, 39, and 40.

(a) Loadbar part numbers for:

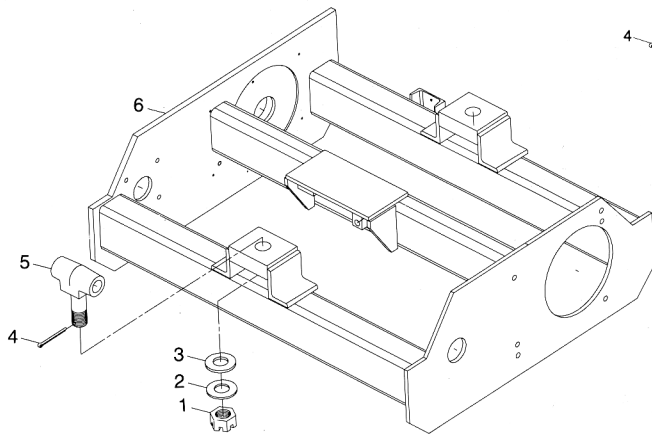
Figure B	Figure D	Figure E	Figure F
70013-02	70014-03	70015-03	70016-04
70013-03	70014-04	70015-04	70016-05
70013-04	70014-05	70015-05	70016-06
70013-05	70014-06	70015-06	
70013-06			

(b) Dash number (-03, -04, etc.) indicates corresponding hoist drum length.

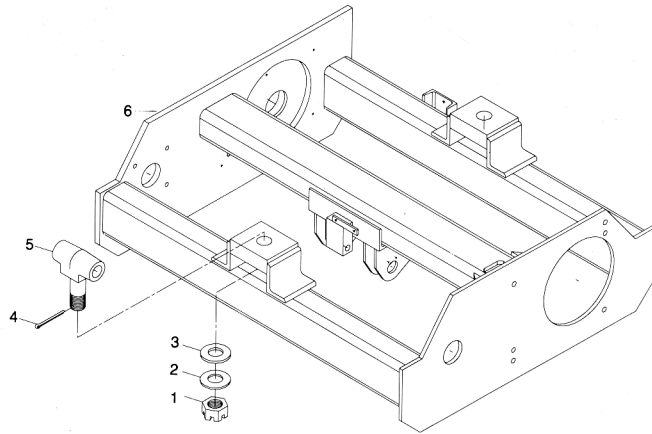
**Example:** 70013-03 for Drum No. 3, 70013-04 for Drum No. 4, etc.

# PARTS LIST – PRODUCT SERIES 33

## FRAME ASSEMBLY – FOR SWIVELING TROLLEYS – CROSS MOUNTED HOIST



**FIGURE A**  
2 PART DOUBLE



**FIGURE B**  
4 PART DOUBLE

### FRAME PARTS

ITEM. NO.	DESCRIPTION	PART NUMBER	QTY.
1	Hex Slotted Nut	26-28	2
2	Thrust Washer	A4421	2
3	Thrust Bearing	A4420	2
4	Cotter Pin	PA1484	2
5	Suspension Stud	63161	2
6	Frame Unit	(a)	1

No Recommended Spare Parts

#### Notes:

For trolley parts, refer to pages 33, 34, and 35.

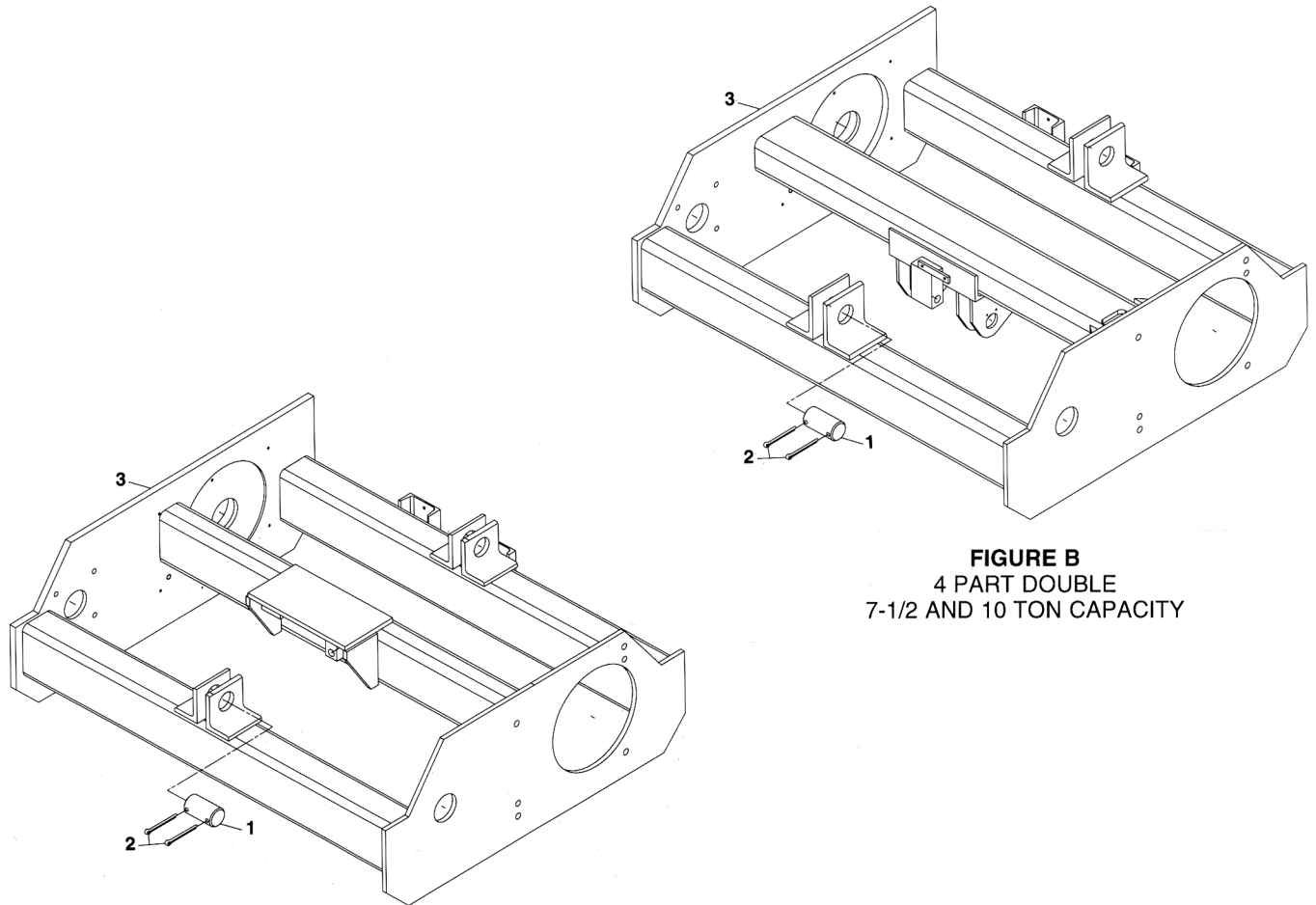
(a) Frame Unit part numbers for:

Figure A	Figure B
70851-02	70853-04
70851-03	70912-05
70851-04	
70851-05	

(b) Dash number (-03, -04, etc.) indicates corresponding hoist drum length.  
**Example:** 70851-03 for Drum No. 3, 70851-04 for Drum No. 4 etc.

# PARTS LIST — PRODUCT SERIES 33

## FRAME ASSEMBLY – FOR LOUDEN TROLLEYS – CROSS MOUNTED HOIST



**FIGURE A**  
2 PART DOUBLE  
3 AND 5 TON CAPACITY

**FIGURE B**  
4 PART DOUBLE  
7-1/2 AND 10 TON CAPACITY

### FRAME PARTS

ITEM NO.	DESCRIPTION	QTY.	3 TON HOIST CAPACITY PART NO.	5 TON HOIST CAPACITY PART NO.	7 ½ TON HOIST CAPACITY PART NO.	10 TON HOIST CAPACITY PART NO.
1	Mounting Pin	2	70870	70871	70871	70872
2	Cotter Pin	4	PA3796	PA3796	PA3796	PA3796
3	Frame Unit (a)	1	70884-02	70885-02	N/A	N/A
			70884-03	70885-03	N/A	N/A
			70884-04	70885-04	70886-04	70887-04
			70884-05	70885-05	70913-05	70914-05
Ref	Louden Trolley (b)	2	280070	280074	280074	301225

No Recommended Spare Parts

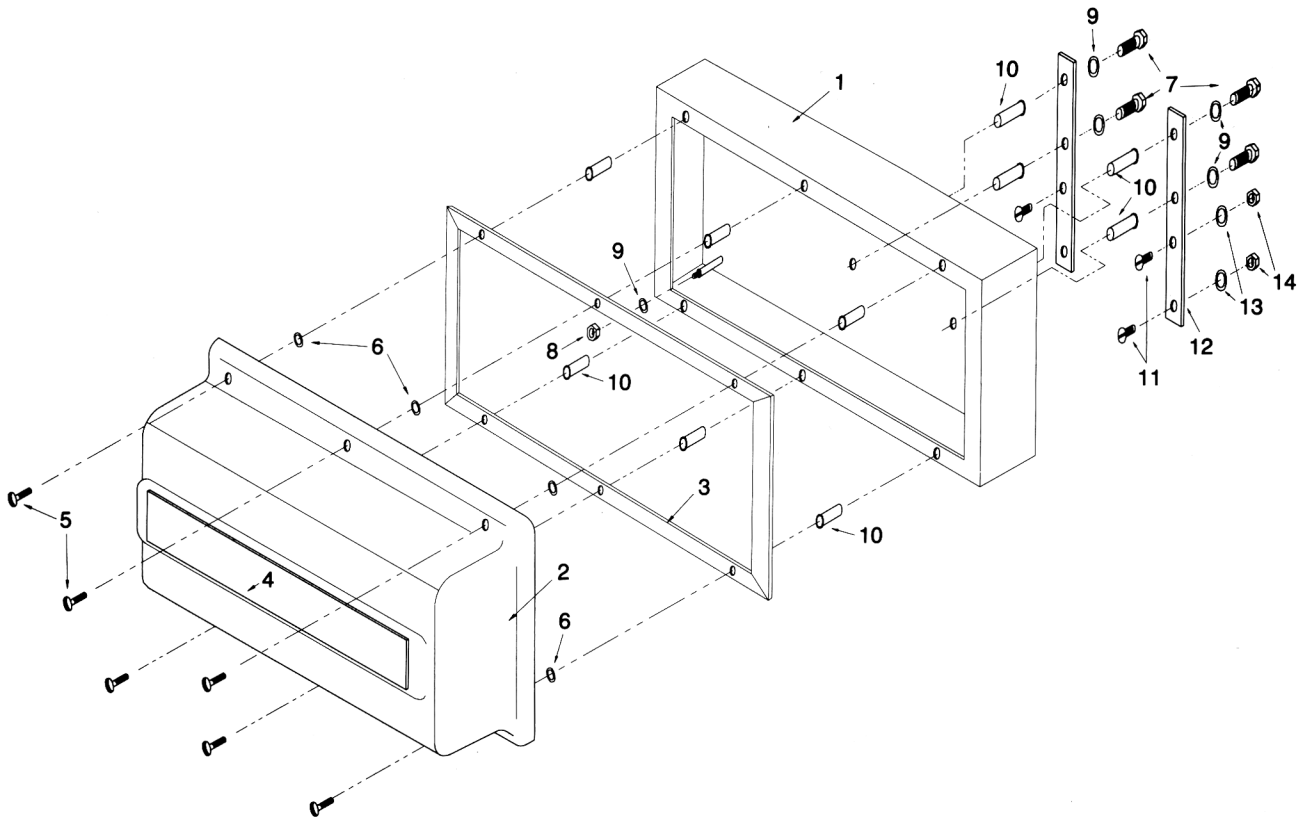
### Notes:

(a) Dash number (-03, -04, etc.) indicates corresponding hoist drum length.  
**Example:** 70884-03 for Drum No. 3, 70884-04 for Drum No. 4, etc.

(b) Louden Trolley part numbers shown for reference only. For trolley parts, refer to page 101 (280070 and 280074) or page 105 (301225) of manual 69879.

# PARTS LIST – PRODUCT SERIES 33

## OPTIONAL ELECTRICAL CONTROL ENCLOSURE



### REPLACEMENT PARTS

ITEM NO.	PART NO.	DESCRIPTION	QUANTITY BY ENCLOSURE SIZE		
			11" x 21"	15" x 21"	21" x 21"
1	69829-1	Enclosure, 11 x 21	1	N/A	N/A
	69828-1	Enclosure, 15 x 21	N/A	1	N/A
	69875-1	Enclosure, 21 x 21	N/A	N/A	1
2	52823	Cover, 11 x 21	1	N/A	N/A
	52826	Cover, 15 x 21	N/A	1	N/A
	54268	Cover, 21 x 21	N/A	N/A	1
3	58531	Gasket, 11 x 21	1	N/A	N/A
	55204	Gasket, 15 x 21	N/A	1	N/A
	55206	Gasket, 21 x 21	N/A	N/A	1
4	55224-2	Label	1	1	1
5	58597	Screw, Captive	6	6	8
6	PA6634	Ring, Retaining	6	6	8
7	35-4-12	Hex Head Bolt	4	4	4
8	22-4C	Hex Nut	4	4	4
9	17-4C	Lockwasher	8	8	8
10	PA7343	Nut Insert, Closed End	10	10	12
11	5-6-20	Flathead Screw (a)	4	4	4
12	69808	Enclosure Mounting Strap (a)	2	2	2
13	17-6C	Lockwasher (a)	4	4	4
14	22-6	Hex Nut (a)	4	4	4

#### NOTE:

(a) Item numbers 11, 12, 13 and 14 are not used on cross mounted hoists.



## GENERAL CONDITIONS OF WARRANTY

**WARRANTIES:** The Seller warrants to the original using Buyer thereof that the goods sold under this Agreement are free from defects in workmanship and materials for a period of two years from the date of shipment to the original using Buyer. No other express warranties are given and no affirmation of Seller or Seller's agents, by word or action, shall constitute a warranty. No warranty is made for components and accessories made by others when such items are warranted by their respective manufacturers.

Installation or operation of the equipment in any manner other than as recommended by Seller, shall void the warranty.

Any variations in details between the goods furnished herein and those covered in Buyer's specifications are due to standards of manufacture not to be construed as exceptions to the specifications.

### DISCLAIMER OF IMPLIED WARRANTIES:

- (a) SELLER MAKES NO WARRANTY OF MERCHANTABILITY IN RESPECT TO THE GOODS SOLD UNDER THIS AGREEMENT.
- (b) This sale is made WITHOUT ANY WARRANTY BY SELLER THAT THE GOODS ARE SUITABLE FOR ANY PARTICULAR PURPOSE.
- (c) Buyer hereby waives all other warranties, guarantees, obligations, liabilities, rights, and remedies arising by law or otherwise including any obligation or liability of the Seller arising from tort, and Buyer shall indemnify Seller from any liability, loss, damage, or claim arising from Buyer's tortious use of the goods sold hereby.

### REMEDIES:

- (a) Under no conditions shall any goods be returned to Seller without its prior written consent.
- (b) The Buyer's sole and exclusive remedy for breach of any warranty is limited to Seller furnishing, at its expense, duplicate or repaired parts F.O.B. Seller's plant with installation at Buyer's expense if discovery of a claimed defect occurs during the allowable warranty period, and if Seller's inspection determines a defect exists.
- (c) The quantity of material shown by invoice shall in all cases govern settlement for shortages, unless notice of shortage, appropriately documented, is given to the carrier and the Seller upon delivery by the Carrier.
- (d) Claims for errors, deficiencies or imperfections shall be deemed waived by the Buyer unless Seller is notified in writing of the basis of such claims within 10 days after discovery of claimed defect and such discovery occurs within the warranted period.
- (e) Neither Buyer nor User shall be entitled under this Agreement to recover from Seller any incidental or consequential damages of any nature including but not limited to the cost of any labor expended by others in connection with the goods sold hereby by reason of any alleged nonconformity or breach of warranty on the part of the Seller, nor costs of material or account thereof, nor any lost profits whether determinable or speculative.



## Acco Chain & Lifting Products Division

76 Acco Drive, Box 792, York, PA 17405-0792  
717-741-4863 800-967-7333 Fax 717-741-8572

PART OF THE  FKI GROUP OF COMPANIES

© FKI Industries, Inc. 2002 STU746 1M 10/02 Printed in U.S.A.