

# Options and Technical Data

## DECK/BASE MOUNTED ATTACHMENT POINTS—DIMENSIONS

Capacity (t)	Product Code	e1 (in)	e12 (in)	Deck/Base Mounted	
2	RHN02D-20A-20D-①	40.9	24.2		
	RHN02D-33A-20D-①	52.5	35.8		
3	RHN03D-20A-20D-①	40.9	24.2		
	RHN03D-33A-20D-①	52.5	35.8		
5	RHN05D-20B-20D-①	41.3	24.2		
	RHN05D-33B-20D-①	52.9	35.8		
7 1/2	RHN08D-20C-20D-①	48.0	26.8		
	RHN08D-33C-20D-①	60.4	39.2		
10	RHN10D-20C-20D-①	48.0	26.8		
	RHN10D-33C-20D-①	60.4	39.2		

- ① 1 = 208V - 3ph - 60Hz
- ② 2 = 230V - 3ph - 60Hz
- ③ 4 = 460V - 3ph - 60Hz
- ④ 5 = 575V - 3ph - 60Hz

\*5 - Lock washer

## Options and Technical Data

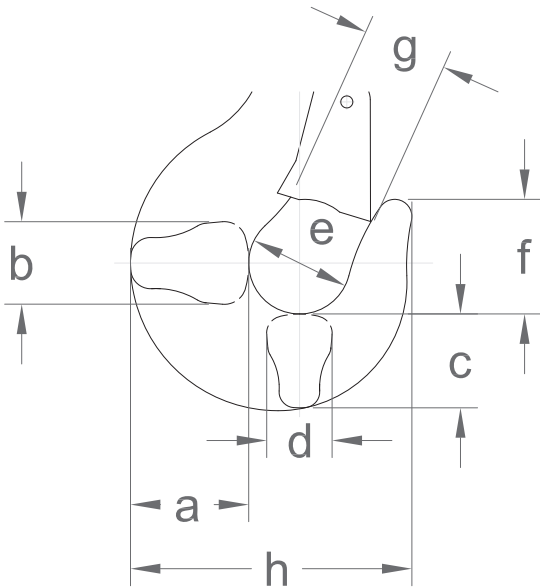
### DECK/BASE MOUNTED ATTACHMENT POINTS—DIMENSIONS

Capacity (t)	Product Code	e1 (in)	e2 (in)	e12 (in)	Deck/Base Mounted
15	RHN15D-20D-16D-①	54.4	43.7	33.7	
	RHN15D-33D-16D-①	66.6		45.9	
20	RHN20D-20D-16D-①	54.4	43.7	33.7	
	RHN20D-33D-16D-①	66.6		45.9	

- ①
- 1 = 208V - 3ph - 60Hz
  - 2 = 230V - 3ph - 60Hz
  - 4 = 460V - 3ph - 60Hz
  - 5 = 575V - 3ph - 60Hz

\*5 - Lock washer

## Options and Technical Data



### BOTTOM HOOK—DIMENSIONS

Capacity (t)	Product Code*	a (in)	b (in)	c (in)	d (in)	e (in)	f (in)	g (in)	h (in)
2	RHN02D-20A-20D-①	2.2	1.8	1.9	1.5	2.2	2.5	1.6	5.8
	RHN02D-33A-20D-①								
3	RHN03D-20A-20D-①	2.2	1.8	1.9	1.5	2.2	2.5	1.6	5.8
	RHN03D-33A-20D-①								
5	RHN05D-20B-20D-①	2.6	2.1	2.3	1.8	2.5	2.8	1.7	6.6
	RHN05D-33B-20D-①								
7 1/2	RHN08D-20C-20D-①	3.1	2.5	2.6	2.1	2.8	3.1	1.9	7.7
	RHN08D-33C-20D-①								
10	RHN10D-20C-20D-①	3.1	2.5	2.6	2.1	2.8	3.1	1.9	7.7
	RHN10D-33C-20D-①								
15	RHN15D-20D-16D-①	3.9	3.1	3.3	2.6	3.5	4.0	2.4	10.1
	RHN15D-33D-16D-①								
	RHN15U-20D-12D-①	4.9	3.9	4.2	3.3	4.4	5.0	3.2	12.0
	RHN15U-33D-12D-①								
20	RHN20D-20D-16D-①	4.9	3.9	4.2	3.3	4.4	5.0	3.2	12.0
	RHN20D-33D-16D-①								

①  
 1 = 208V - 3ph - 60Hz  
 2 = 230V - 3ph - 60Hz  
 4 = 460V - 3ph - 60Hz  
 5 = 575V - 3ph - 60Hz

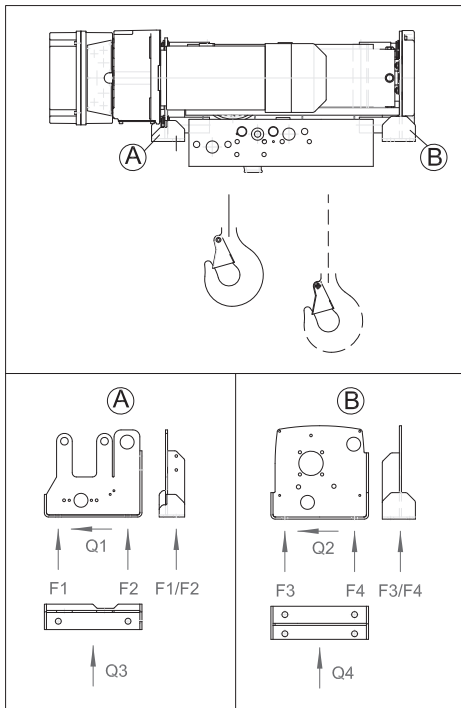
\*Product codes represent Deck/Base Mounted hoists (except RHN15U), but hook dimensions also apply to trolley hoists.

# Options and Technical Data

## REACTION FORCES AT RATED LOAD—DECK/BASE MOUNTED

Capacity (t)	Product Code	F1 (lbs)	F2 (lbs)	F3 (lbs)	F4 (lbs)	Q1 (lbs)	Q2 (lbs)	Q3 (lbs)	Q4 (lbs)	Moment Mt (ft-lbs)
2	RHN02D-20A-20D-①	1817	1902	654	1292	295	169	393	393	232*
	RHN02D-33A-20D-①	1950	2149	582	1122	328	147	393	393	
3	RHN03D-20A-20D-①	2700	3043	1038	2067	472	270	629	629	372*
	RHN03D-33A-20D-①	2906	3439	916	1795	524	235	629	629	
5	RHN05D-20B-20D-①	4171	4683	1618	3151	736	415	984	984	770*
	RHN05D-33B-20D-①	4480	5272	1435	2744	814	362	984	984	
7 1/2	RHN08D-20C-20D-①	6989	5019	3625	5051	978	741	1475	1475	1514*
	RHN08D-33C-20D-①	7758	6054	3112	4278	1129	627	1475	1475	
10	RHN10D-20C-20D-①	9041	6692	4763	6735	1304	988	1967	1967	2019*
	RHN10D-33C-20D-①	10042	8072	4076	5703	1506	836	1967	1967	
15	RHN15D-20D-16D-①	9297	14086	5835	13988	1894	1684	3147	3147	**
	RHN15D-33D-16D-①	10384	16989	4931	12154	2227	1445	3147	3147	
20	RHN20D-20D-16D-①	12088	16707	7449	17186	2367	2105	3934	3934	**
	RHN20D-33D-16D-①	13494	20243	6316	14899	2784	1807	3934	3934	

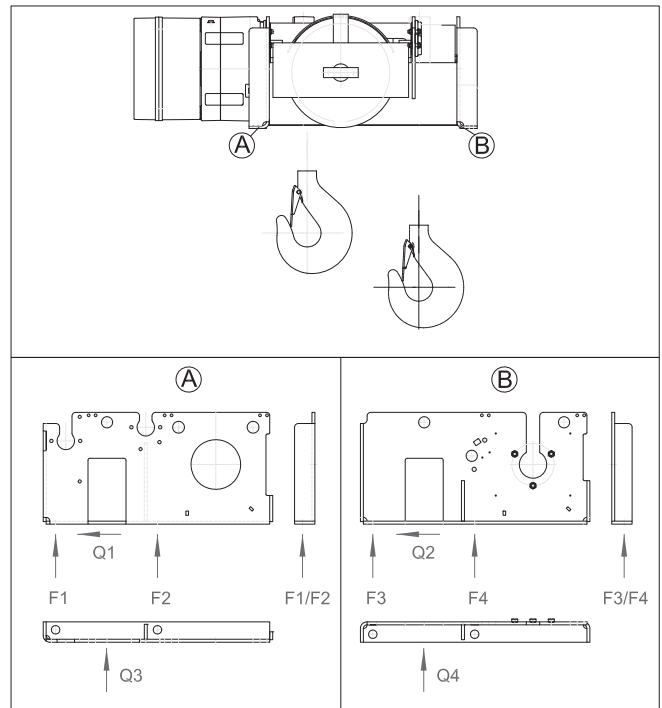
①  
1 = 208V - 3ph - 60Hz  
2 = 230V - 3ph - 60Hz  
4 = 460V - 3ph - 60Hz  
5 = 575V - 3ph - 60Hz



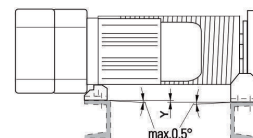
Deck/Base Mounted Hoist (2-10 Ton)

\*For 2-10t capacities, the customer's substructure must take up the moment MT from the rope drum. Therefore it must be torsion resistant and level, (max permissible offset, Y = .0787)

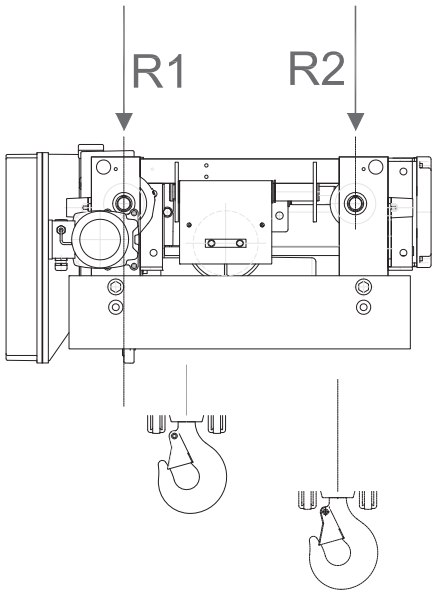
\*\*For 15-20t capacities, the design structure compensates for the moment, and the forces are diverted to the fixation points.



Deck/Base Mounted Hoist (15-20 Ton)



## Options and Technical Data



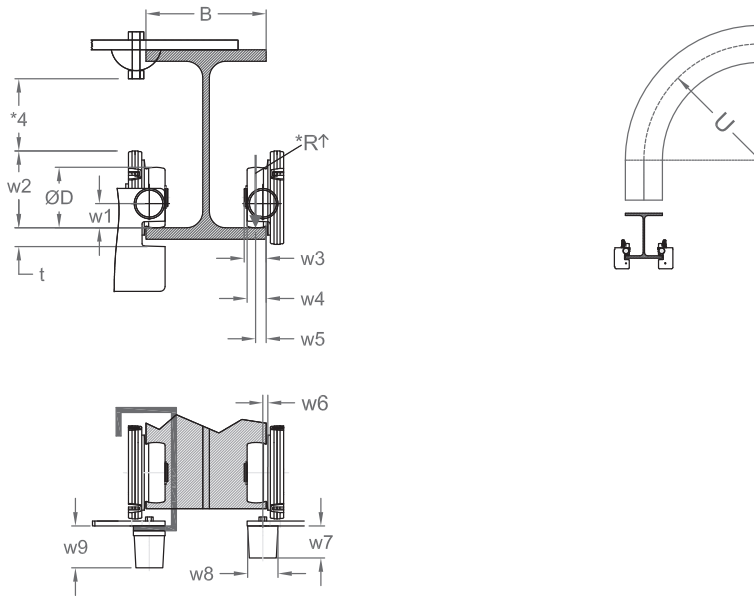
Ultra-Low Headroom  
Trolley Hoist

### REACTION FORCES AT RATED LOAD—ULTRA-LOW HEADROOM TROLLEY HOISTS

Capacity (t)	Ultra-Low Headroom Trolley Wheel Pair Reaction Forces		
	Product Code	R1 (lbs)	R2 (lbs)
2	RHN02U-20A-20DD-①	2985	2939
	RHN02U-33A-20DD-①	3632	2411
3	RHN03U-20A-20DD-①	4292	4285
	RHN03U-33A-20DD-①	5253	3487
5	RHN05U-20B-20DD-①	6629	7288
	RHN05U-33B-20DD-①	7167	6675
7 1/2	RHN08U-20C-20DD-①	9102	12320
	RHN08U-33C-20DD-①	12011	9860
10	RHN10U-20C-20DD-①	11783	16192
	RHN10U-33C-20DD-①	15641	12898
15	RHN15U-28D-12DD-①	22045	17881
	RHN15U-46D-12DD-①	22226	18478
20	N/A		
	N/A		

①  
 1 = 208V - 3ph - 60Hz  
 2 = 230V - 3ph - 60Hz  
 4 = 460V - 3ph - 60Hz  
 5 = 575V - 3ph - 60Hz

## Options and Technical Data



### TROLLEY WHEEL—DIMENSIONS

Capacity (t)	Product Code	Wheel Dia. Ø D (in)	w1 (in)	w2 (in)	w3 (in)	w4 (in)	w5 (in)	w6 (in)	w7 (in)	w8 (in)	w9 (in)	U*2 (ft)	Maximum Flange Thickness t (in)
2	RHN02U-20A-20DD-①	3.1	1.6	4.1	1.2	1.1	0.5 (0.6)**	0.2	2.1	2.0	2.5	37.4	0.96
	RHN02U-33A-20DD-①											56.8	
3	RHN03U-20A-20DD-①	3.1	1.6	4.1	1.2	1.1	0.5 (0.6)**	0.2	2.1	2.0	2.5	37.4	0.96
	RHN03U-33A-20DD-①											56.8	
5	RHN05U-20B-20DD-①	3.9	1.6	5.1	1.5	1.2	0.7 (0.9)**	0.2	2.1	2.0	2.5	37.4	1.04
	RHN05U-33B-20DD-①											56.8	
7 1/2	RHN08U-20C-20DD-①	5.5	1.5	6.9	N/A	1.8	0.9 (1.3)**	0.5	2.1	2.5	2.5	41.0	1.46
	RHN08U-33C-20DD-①											61.7	
10	RHN10U-20C-20DD-①	5.5	1.5	6.9	N/A	1.8	0.9 (1.3)**	0.5	2.1	2.5	2.5	41.0	1.46
	RHN10U-33C-20DD-①											61.7	
15	RHN15U-28D-12DD-①	7.9	1.7	10.5	N/A	1.8	0.9 (1.3)**	0.5	2.1	2.5	2.5	N/A	1.81
	RHN15U-46D-12DD-①											N/A	

①  
 1 = 208V - 3ph - 60Hz  
 2 = 230V - 3ph - 60Hz  
 4 = 460V - 3ph - 60Hz  
 5 = 575V - 3ph - 60Hz

\*\* - ( ) with sloping flange.  
 \*R - See page 19 for reaction forces R1 and R2.  
 \*2 - only up to B ≤ 7.9 inches.  
 \*4 - Observe clearance dimensions.

## Options and Technical Data

### VARIABLE FREQUENCY DRIVE (VFD)

Consult Customer Service

### DUTY CLASSIFICATIONS

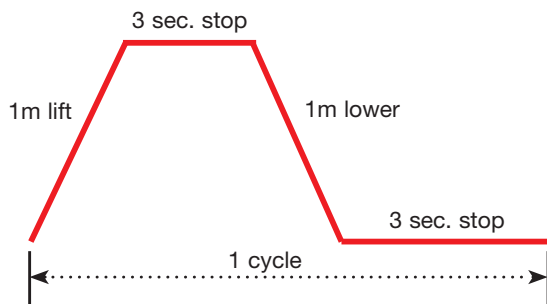
Hoist Duty Class	Typical Areas of Application	Operation Time Ratings at K = 0.65*			
		Uniformly Distributed Work Periods		Infrequent Work Periods	
		Max. Time (min/hr)	Max. No. of Starts/hr	Max. Time From Cold Start (min)	Max. No. of starts
H2	Light machine shop fabricating, service and maintenance; loads and utilization randomly distributed; rated loads infrequently handled	7.5 (12.5%)	75	15	100
H3	General machine shop fabricating, assembly, storage, and warehousing; loads and utilization randomly distributed	7.5 (25%)	150	30	200
H4	High volume handling in steel warehouses, machine shops, fabricating plants and mills, and foundries; manual or automatic cycling operations in heat treating and plating; loads at or near rated load frequently handled	30 (50%)	300	30	300

\*K = Mean effective load factor.

### LIFTING MOTOR RATINGS

#### Short Time Rating

This rating indicates how long the hoist can be operated continuously at the rated capacity on the cycle below, assuming continued operation for a short time span.

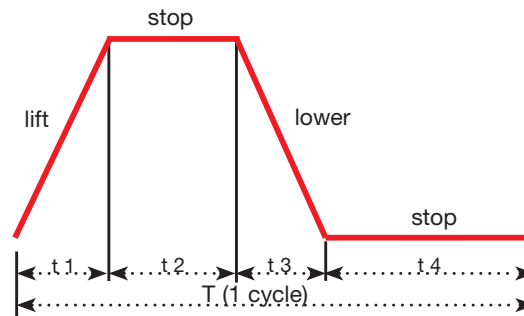


• Dual speed: 30/10 min

#### Intermittent Rating (Percent ED)

##### Max. Number of Starts Per Hour

This rating indicates the allowable ratio of motor ON time to motor OFF time, and starts per hour for a hoist operated continuously at 63% of rated capacity on the cycle below, assuming continued operation or repeated starting over a long time span.



$$\text{Example (single speed): \%ED} = \frac{\text{Motor ON time (t1 + t3)}}{T \text{ (1 cycle)}} \times 100$$

(Where T = 1 cycle (t1 + t2 + t3 + t4) and is not more than 10 minutes.)

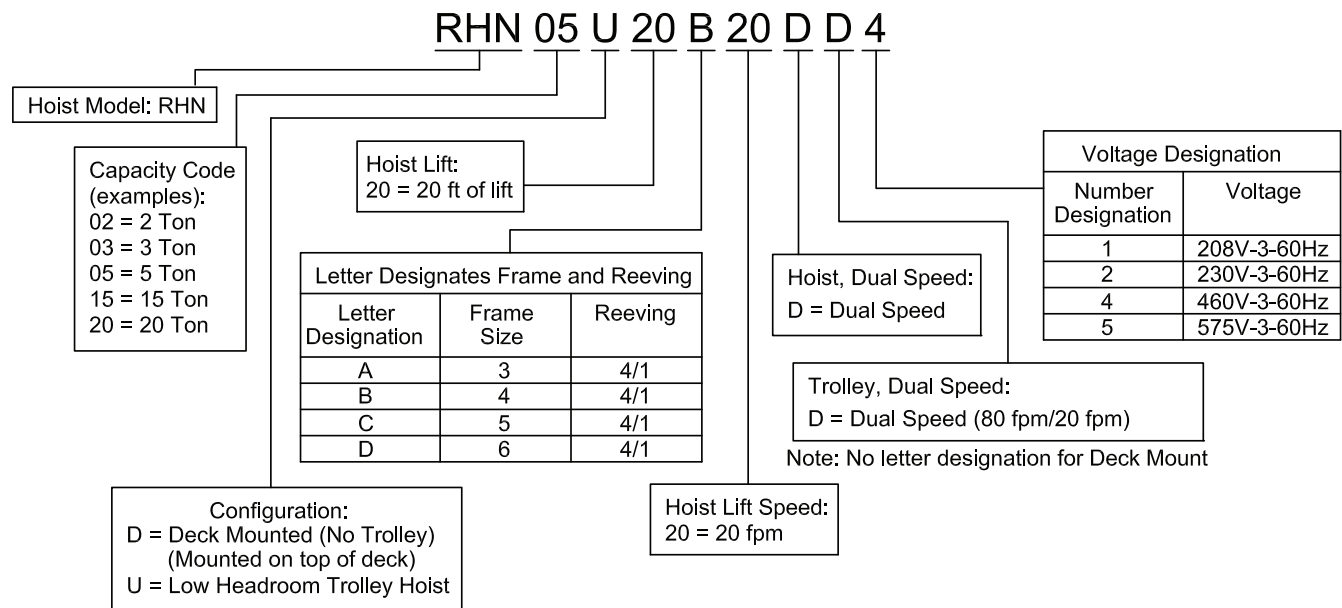
## Options and Technical Data

### COMPLIANCE

Harrington's electric wire rope hoists are produced to comply with:

- ASME B30.16 ("Safety Standard – Overhead Hoists (Underhung)")
- CMAA
- UL508A
- CSA 22.2 NO.14

## Product Code For RHN Series Hoists and Trolley Hoists

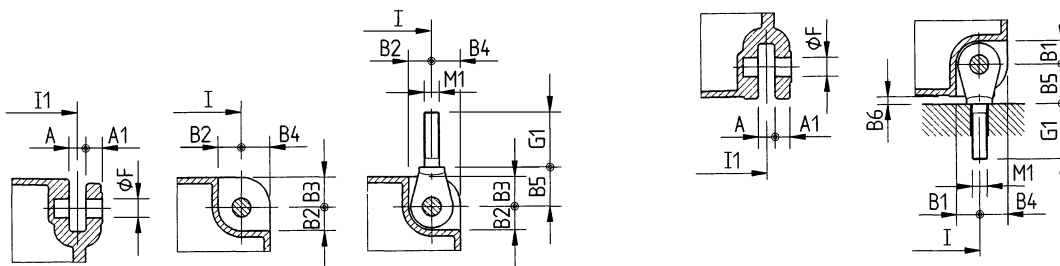




▪ Refer to page 10 for flange range B and headroom E dimension.

### Eye Bolt and Attachment Point Dimensions For Deck/Base Mounted or Lug Suspended Hoists

Capacity (Tons)	Product Code	A (in)	A1 (in)	B1 (in)	B2 (in)	B3 (in)	B4 (in)	B5 (in)	ØF (mm)	G1 (in)	M1 (mm x pitch)
2	RH02D-20①4C-②	0.79	0.79	0.83	0.83	1.38	1.38	1.85	20	2.64	M16x2.0
	RH02D-29①4C-②										
	RH02D-20①4D-②										
	RH02D-29①4D-②										
	RH02D-39①3A-②										
RH02D-79①3A-②											
3	RH03D-20①4C-②	0.79	0.79	0.83	0.83	1.38	1.38	1.85	20	2.64	M16x2.0
	RH03D-29①4C-②										
	RH03D-23①4H-②										
	RH03D-33①4H-②										
	RH03D-46①3E-②										
RH03D-85①3E-②											
5	RH05D-23①4G-②	0.87	0.87	1.22	1.22	1.57	1.57	2.05	25	2.87	M20x2.5
	RH05D-33①4G-②	1.26	1.26	1.42	1.42	2.17	2.17	2.83	35	3.82	M24x3.0
	RH05D-23①4M-②										
	RH05D-33①4M-②	1.65	1.65	1.50	1.81	2.76	2.76	3.35	45	4.41	M30x3.5
	RH05D-46①4J-②										
	RH05D-92①4J-②										
RH05D-52①4P-②											
RH05D-X5①4P-②											
7 1/2	RH08D-23①4L-②	1.26	1.26	1.42	1.42	2.17	2.17	2.83	35	3.82	M24x3.0
	RH08D-33①4L-②										
	RH08D-23①3M-②	1.65	1.65	1.50	1.81	2.76	2.76	3.35	45	4.41	M30x3.5
	RH08D-33①3M-②										
	RH08D-52①4N-②										
RH08D-X5①4N-②											
10	RH10D-23①4L-②	1.26	1.26	1.42	1.42	2.17	2.17	2.83	35	3.82	M24x3.0
	RH10D-33①4L-②	1.65	1.65	1.50	1.81	2.76	2.76	3.35	45	4.41	M30x3.5
	RH10D-26①4R-②										
	RH10D-36①4R-②										
	RH10D-52①3N-②										
RH10D-X5①3N-②											
15	RH15D-26①4Q-②	1.65	1.65	1.50	1.81	2.76	2.76	3.35	45	4.41	M30x3.5
	RH15D-36①4Q-②										
20	RH20D-26①3Q-②	1.65	1.65	1.50	1.81	2.76	2.76	3.35	45	4.41	M30x3.5
	RH20D-36①3Q-②										

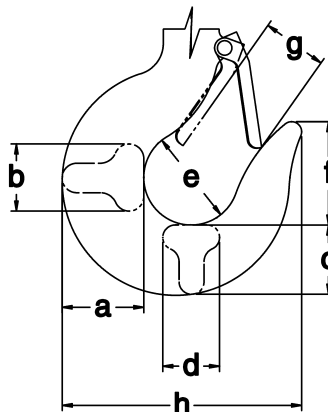


**Note:**

- Eye bolts are suitable for deck/base mounted or lug suspended applications.
- Eye bolt kits include four eyebolts and all necessary hardware.
- See page 5 for dimensions I and I1.

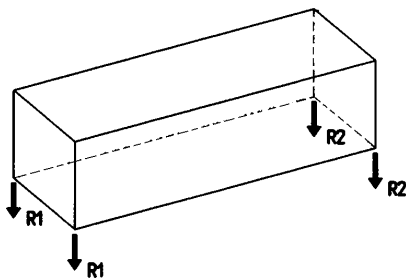
Bottom Hook Dimensions

Capacity (Tons)	Product Code	a (in)	b (in)	c (in)	d (in)	e (in)	f (in)	g (in)	h (in)
2	RH02D-20①4C-②	2.2	1.8	1.9	1.5	2.2	2.5	1.5	5.7
	RH02D-29①4C-②								
	RH02D-20①4D-②								
	RH02D-29①4D-②								
	RH02D-39①3A-②	1.7	1.4	1.5	1.1	1.9	2.1	1.3	4.7
	RH02D-79①3A-②								
3	RH03D-20①4C-②	2.2	1.8	1.9	1.5	2.2	2.5	1.5	5.7
	RH03D-29①4C-②								
	RH03D-23①4H-②	2.6	2.1	2.3	1.8	2.5	2.8	1.7	6.7
	RH03D-33①4H-②								
	RH03D-46①3E-②	2.2	1.8	1.9	1.5	2.2	2.5	1.5	5.7
	RH03D-85①3E-②								
5	RH05D-23①4G-②	2.6	2.1	2.3	1.8	2.5	2.8	1.7	6.7
	RH05D-33①4G-②								
	RH05D-23①4M-②	3.5	2.8	3.0	2.4	3.1	3.5	2.0	8.9
	RH05D-33①4M-②								
	RH05D-46①4J-②	2.6	2.1	2.3	1.8	2.5	2.8	1.7	6.7
	RH05D-92①4J-②								
	RH05D-52①4P-②	3.5	2.8	3.0	2.4	3.1	3.5	2.0	8.9
	RH05D-X5①4P-②								
7 1/2	RH08D-23①4L-②	3.5	2.8	3.0	2.4	3.1	3.5	2.0	8.9
	RH08D-33①4L-②								
	RH08D-23①3M-②								
	RH08D-33①3M-②								
	RH08D-52①4N-②								
	RH08D-X5①4N-②								
10	RH10D-23①4L-②	3.5	2.8	3.0	2.4	3.1	3.5	2.0	8.9
	RH10D-33①4L-②								
	RH10D-26①4R-②	4.9	3.9	4.2	3.3	4.4	5.0	3.0	12.7
	RH10D-36①4R-②								
	RH10D-52①3N-②	3.5	2.8	3.0	2.4	3.1	3.5	2.0	8.9
	RH10D-X5①3N-②								
15	RH15D-26①4Q-②	4.9	3.9	4.2	3.3	4.4	5.0	3.0	12.7
	RH15D-36①4Q-②								
20	RH20D-26①3Q-②	4.9	3.9	4.2	3.3	4.4	5.0	3.0	12.7
	RH20D-36①3Q-②								

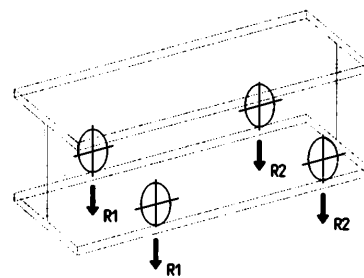


Reaction Forces at Rated Load

Capacity (Tons)	Deck/Base Mounted or Lug Suspended Attachment Point Reaction Forces			Standard Headroom Trolley Reaction Forces			Wheel	Ultra- Low Headroom Trolley Reaction Forces			Wheel
	Product Code	R1 (lbs)	R2 (lbs)	Product Code	R1 (lbs)	R2 (lbs)		Product Code	R1 (lbs)	R2 (lbs)	
2	RH02D-20①4C-②	1483	683	RH02S-20①4C-②-③	1600	665		RH02U-20①4C-②-③	1659	694	
	RH02D-29①4C-②	1734	454	RH02S-29①4C-②-③	1826	461		RH02U-29①4C-②-③	1887	487	
	RH02D-20①4D-②	1483	683	RH02S-20①4D-②-③	1600	665		RH02U-20①4D-②-③	1659	694	
	RH02D-29①4D-②	1734	454	RH02S-29①4D-②-③	1826	461		RH02U-29①4D-②-③	1887	487	
	RH02D-39①3A-②	1758	398	RH02S-39①3A-②-③	1854	401		RH02U-39①3A-②-③	1931	411	
	RH02D-79①3A-②	1928	248	RH02S-79①3A-②-③	2025	250		RH02U-79①3A-②-③	2104	259	
3	RH03D-20①4C-②	2183	983	RH03S-20①4C-②-③	2334	931		RH03U-20①4C-②-③	2400	953	
	RH03D-29①4C-②	2554	634	RH03S-29①4C-②-③	2667	620		RH03U-29①4C-②-③	2737	637	
	RH03D-23①4H-②	2213	1013	RH03S-23①4H-②-③	2297	1067		RH03U-23①4H-②-③	2405	1113	
	RH03D-33①4H-②	2589	669	RH03S-33①4H-②-③	2650	747		RH03U-33①4H-②-③	2760	791	
	RH03D-46①3E-②	5627	587	RH03S-46①3E-②-③	2652	656		RH03U-46①3E-②-③	2881	565	
	RH03D-85①3E-②	2878	358	RH03S-85①3E-②-③	2896	440		RH03U-85①3E-②-③	3105	369	
5	RH05D-23①4G-②	3613	1613	RH05S-23①4G-②-③	3707	1657		RH05U-23①4G-②-③	3836	1682	
	RH05D-33①4G-②	4229	1029	RH05S-33①4G-②-③	4284	1112		RH05U-33①4G-②-③	4417	1135	
	RH05D-23①4M-②	3798	1798	RH05S-23①4M-②-③	4004	1954		RH05U-23①4M-②-③	4233	2079	
	RH05D-33①4M-②	4444	1244	RH05S-33①4M-②-③	4607	1435		RH05U-33①4M-②-③	4844	1562	
	RH05D-46①4J-②	4470	1070	RH05S-46①4J-②-③	4671	1017		RH05U-46①4J-②-③	4929	1079	
	RH05D-92①4J-②	4911	711	RH05S-92①4J-②-③	5102	670		RH05U-92①4J-②-③	5345	745	
	RH05D-52①4P-②	4690	1290	RH05S-52①4P-②-③	4937	1407		RH05U-52①4P-②-③	5345	1589	
	RH05D-X5①4P-②	5157	957	RH05S-X5①4P-②-③	5418	1058		RH05U-X5①4P-②-③	5861	1261	
7.5	RH08D-23①4L-②	5548	2548	RH08S-23①4L-②-③	5767	2692		RH08U-23①4L-②-③	6022	2791	
	RH08D-33①4L-②	6494	1694	RH08S-33①4L-②-③	6650	1892		RH08U-33①4L-②-③	6915	1992	
	RH08D-23①3M-②	5548	2548	RH08S-23①3M-②-③	5767	2692		RH08U-23①3M-②-③	6022	2791	
	RH08D-33①3M-②	6494	1694	RH08S-33①3M-②-③	6650	1892		RH08U-33①3M-②-③	6915	1992	
	RH08D-52①4N-②	6790	1690	RH08S-52①4N-②-③	7070	1910		RH08U-52①4N-②-③	7534	1900	
	RH08D-X5①4N-②	7457	1157	RH08S-X5①4N-②-③	7758	1218		RH08U-X5①4N-②-③	8261	1361	
10	RH10D-23①4L-②	7298	3298	RH10S-23①4L-②-③	7529	3429		RH10U-23①4L-②-③	7810	3502	
	RH10D-33①4L-②	8544	2144	RH10S-33①4L-②-③	8693	2349		RH10U-33①4L-②-③	8985	2421	
	RH10D-26①4R-②	7551	3551	RH10S-26①4R-②-③	7666	4010		RH10U-26①4R-②-③	8132	4220	
	RH10D-36①4R-②	8828	2428	RH10S-36①4R-②-③	9147	2683		RH10U-36①4R-②-③	9666	2918	
	RH10D-52①3N-②	8890	2090	RH10S-52①3N-②-③	9202	2412		RH10U-52①3N-②-③	9723	2211	
	RH10D-X5①3N-②	9757	1357	RH10S-X5①3N-②-③	10098	1378		RH10U-X5①3N-②-③	10661	1461	
15	RH15D-26①4Q-②	11051	5051	RH15S-26①4Q-②-③	11080	5596		RH15U-26①4Q-②-③	11610	5742	
	RH15D-36①4Q-②	12928	3328	RH15S-36①4Q-②-③	13263	3567		RH15U-36①4Q-②-③	13853	3731	
20	RH20D-26①3Q-②	14551	6551	RH20S-26①3Q-②-③	14494	7182		RH20U-26①3Q-②-③	15088	7264	
	RH20D-36①3Q-②	17028	4228	RH20S-36①3Q-②-③	17379	4451		RH20U-36①3Q-②-③	18040	4544	



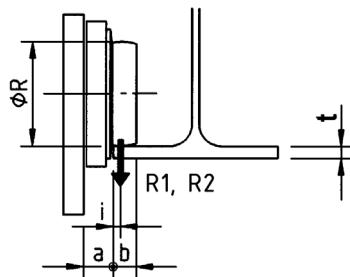
Deck/Base Mounted or Lug Suspended Hoists



Standard or Ultra-Low Headroom Trolley Hoist

Trolley Wheel Dimensions

Capacity (Tons)	Product Code		a (in)	b (in)	i (in)	Wheel Dia. Ø R (in)	Maximum Flange Thickness t (in)
	Standard Headroom	Ultra-Low Headroom					
2	RH02S-20①4C-②-③	RH02U-20①4C-②-③	1.38	0.71	0.31	3.94	0.79
	RH02S-29①4C-②-③	RH02U-29①4C-②-③					
	RH02S-20①4D-②-③	RH02U-20①4D-②-③					
	RH02S-29①4D-②-③	RH02U-29①4D-②-③					
	RH02S-39①3A-②-③	RH02U-39①3A-②-③					
RH02S-79①3A-②-③	RH02U-79①3A-②-③						
3	RH03S-20①4C-②-③	RH03U-20①4C-②-③	1.38	0.71	0.31	3.94	0.79
	RH03S-29①4C-②-③	RH03U-29①4C-②-③					
	RH03S-23①4H-②-③	RH03U-23①4H-②-③	1.38	1.14	0.47	4.92	0.91
	RH03S-33①4H-②-③	RH03U-33①4H-②-③					
	RH03S-46①3E-②-③	RH03U-46①3E-②-③	1.38	0.71	0.31	3.94	0.79
RH03S-85①3E-②-③	RH03U-85①3E-②-③						
5	RH05S-23①4G-②-③	RH05U-23①4G-②-③	1.38	1.14	0.47	4.92	0.91
	RH05S-33①4G-②-③	RH05U-33①4G-②-③					
	RH05S-23①4M-②-③	RH05U-23①4M-②-③	1.77	1.50	0.75	7.87	1.50
	RH05S-33①4M-②-③	RH05U-33①4M-②-③					
	RH05S-46①4J-②-③	RH05U-46①4J-②-③	1.38	1.14	0.47	4.92	0.91
	RH05S-92①4J-②-③	RH05U-92①4J-②-③					
	RH05S-52①4P-②-③	RH05U-52①4P-②-③	1.77	1.50	0.75	7.87	1.50
RH05S-X5①4P-②-③	RH05U-X5①4P-②-③						
7 1/2	RH08S-23①4L-②-③	RH08U-23①4L-②-③	1.77	1.50	0.75	7.87	1.50
	RH08S-33①4L-②-③	RH08U-33①4L-②-③					
	RH08S-23①3M-②-③	RH08U-23①3M-②-③					
	RH08S-33①3M-②-③	RH08U-33①3M-②-③					
	RH08S-52①4N-②-③	RH08U-52①4N-②-③					
RH08S-X5①4N-②-③	RH08U-X5①4N-②-③						
10	RH10S-23①4L-②-③	RH10U-23①4L-②-③	1.77	1.50	0.75	7.87	1.50
	RH10S-33①4L-②-③	RH10U-33①4L-②-③					
	RH10S-26①4R-②-③	RH10U-26①4R-②-③	1.97	1.69	0.87	9.84	1.69
	RH10S-36①4R-②-③	RH10U-36①4R-②-③					
	RH10S-52①3N-②-③	RH10U-52①3N-②-③	1.77	1.50	0.75	7.87	1.50
RH10S-X5①3N-②-③	RH10U-X5①3N-②-③						
15	RH15S-26①4Q-②-③	RH15U-26①4Q-②-③	1.97	1.69	0.87	9.84	1.69
	RH15S-36①4Q-②-③	RH15U-36①4Q-②-③					
20	RH20S-26①3Q-②-③	RH20U-26①3Q-②-③	1.97	1.69	0.87	9.84	1.69
	RH20S-36①3Q-②-③	RH20U-36①3Q-②-③					



Note:  
 ▪ See page 14 for reaction forces R1 and R2.