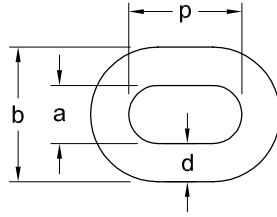


## Technical Data

### AH CHAIN—DIMENSIONS

| Product Code | a (in) | b (in) | d (in) | p (in) |
|--------------|--------|--------|--------|--------|
| AH250C/P/M   | 0.20   | 0.53   | 0.16   | 0.48   |
| AH500C/P/M   |        |        |        |        |



### TCR CHAIN—DIMENSIONS

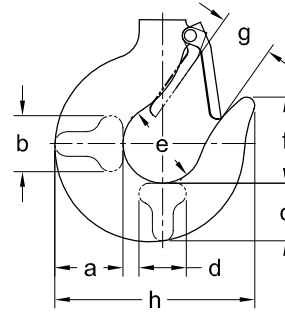
| Product Code  | a (in) | b (in) | d (in) | p (in) |
|---------------|--------|--------|--------|--------|
| TCR250C/P     | 0.31   | 0.87   | 0.25   | 0.75   |
| TCR500C/P     |        |        |        |        |
| TCR1000C2/P2  |        |        |        |        |
| TCR1000C/P    | 0.35   | 0.98   | 0.28   | 0.83   |
| TCR2000C2/P2  |        |        |        |        |
| TCR3000C/P    | 0.55   | 1.54   | 0.44   | 1.34   |
| TCR6000C2/P2  |        |        |        |        |
| TCR10000C2/P2 | 0.88   | 2.14   | 0.63   | 1.77   |
| TCR25000C2/P2 | 1.22   | 2.95   | 0.87   | 2.60   |

### TCS CHAIN—DIMENSIONS

| Product Code | a (in) | b (in) | d (in) | p (in) |
|--------------|--------|--------|--------|--------|
| TCS250C/P    | 0.31   | 0.87   | 0.25   | 0.75   |
| TCS500C/P    |        |        |        |        |
| TCS1000C2/P2 |        |        |        |        |

### AH TOP AND BOTTOM HOOK—DIMENSIONS

| Product Code | a (in) | b (in) | c (in) | d (in) | e (in) | f (in) | g (in) | h (in) |
|--------------|--------|--------|--------|--------|--------|--------|--------|--------|
| AH250C/P/M   | 0.7    | 0.8    | 0.6    | 0.8    | 1.4    | 1.3    | 0.9    | 2.9    |
| AH500C/P/M   | 0.7    | 0.8    | 0.6    | 0.8    | 1.4    | 1.3    | 0.9    | 2.9    |



### TCS TOP AND BOTTOM HOOK—DIMENSIONS

| Product Code | a (in) | b (in) | c (in) | d (in) | e (in) | f (in) | g (in) | h (in) |
|--------------|--------|--------|--------|--------|--------|--------|--------|--------|
| TCS250C/P    | 0.6    | 0.8    | 0.6    | 0.8    | 1.4    | 1.3    | 1.0    | 2.9    |
| TCS500C/P    | 0.6    | 0.8    | 0.6    | 0.8    | 1.4    | 1.3    | 1.0    | 2.9    |
| TCS1000C2/P2 | 1.4    | 0.9    | 1.1    | 0.9    | 1.6    | 1.6    | 1.1    | 4.2    |

### TCR TOP AND BOTTOM HOOK—DIMENSIONS

| Product Code  | a (in) | b (in) | c (in) | d (in) | e (in) | f (in) | g (in) | h (in) |
|---------------|--------|--------|--------|--------|--------|--------|--------|--------|
| TCR250C/P     | 1.4    | 0.9    | 1.1    | 0.9    | 1.6    | 1.6    | 1.1    | 4.2    |
| TCR500C/P     | 1.4    | 0.9    | 1.1    | 0.9    | 1.6    | 1.6    | 1.1    | 4.2    |
| TCR1000C2/P2  | 1.4    | 0.9    | 1.1    | 0.9    | 1.6    | 1.6    | 1.1    | 4.2    |
| TCR1000C/P    | 1.4    | 0.9    | 1.1    | 0.9    | 1.6    | 1.6    | 1.1    | 4.2    |
| TCR2000C2/P2  | 1.8    | 1.2    | 1.5    | 1.2    | 1.8    | 2.0    | 1.1    | 4.9    |
| TCR3000C/P    | 2.0    | 1.5    | 1.7    | 1.3    | 2.0    | 2.4    | 1.3    | 5.9    |
| TCR6000C2/P2  | 2.3    | 1.6    | 1.9    | 1.6    | 2.6    | 2.8    | 1.7    | 6.8    |
| TCR10000C2/P2 | 2.8    | 2.4    | 2.4    | 2.2    | 2.4    | 2.6    | 1.6    | 7.1    |
| TCR25000C2/P2 | 4.9    | 3.5    | 3.9    | 3.5    | 4.9    | 4.9    | 3.1    | 13.1   |

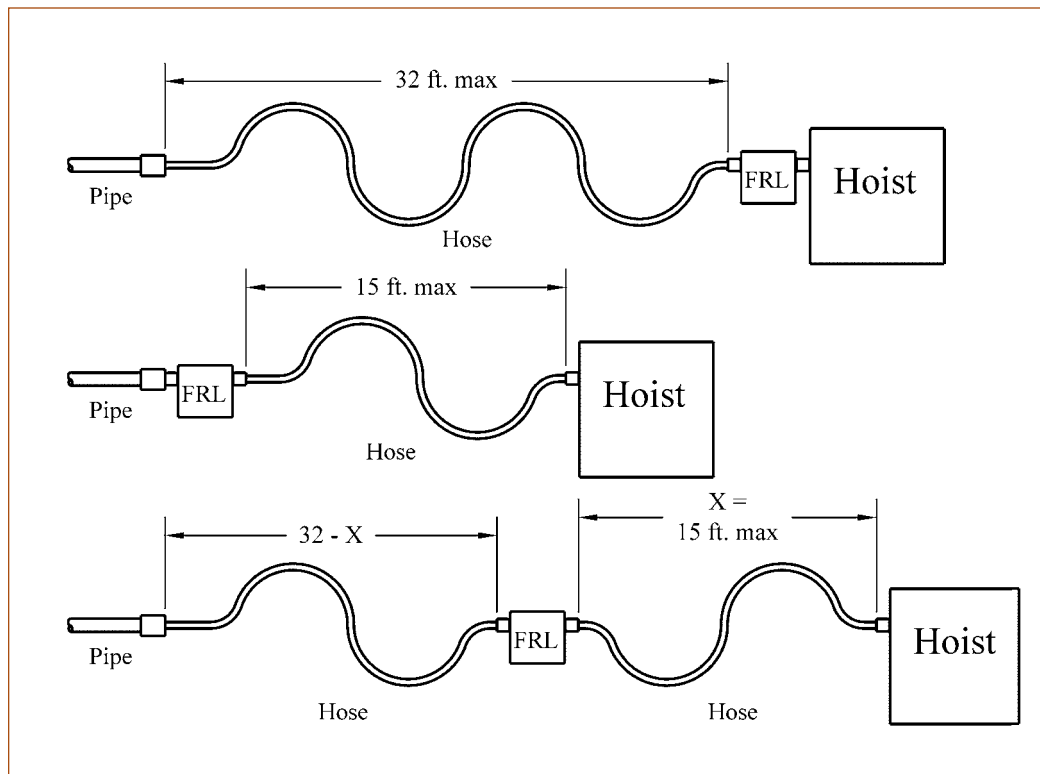
## Technical Data

### TYPICAL ARRANGEMENTS OF FRL AND AIR SUPPLY HOSE LENGTHS

The connection from the air supply system piping to the hoist must be made with a flexible pressure hose. Due to normal losses in air supply lines:

- Do not use hose smaller than specified.
- Limit the length of the hose to that specified below.

If your application exceeds these requirements, consult Customer Service.



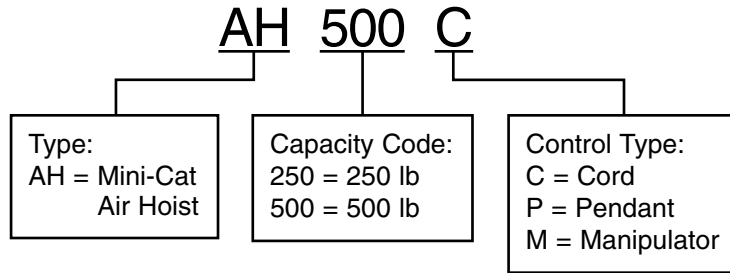
FRL = Filter, Regulator and Lubricator

### BULLARD® AND SHUR-LOC® HOOKS

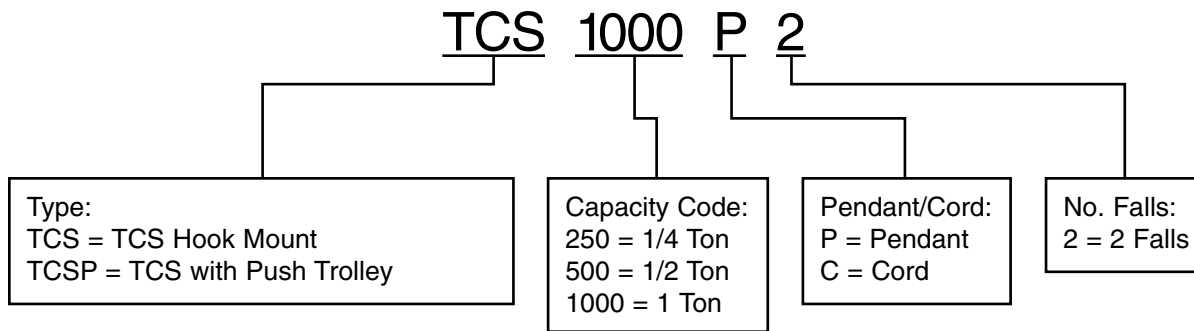
These hooks offer a positive locking latch feature. Consult Customer Service for full details.

## Product Code

### AH MINI-CAT SERIES



### TCS CHEETAH SERIES



### TCR SERIES

