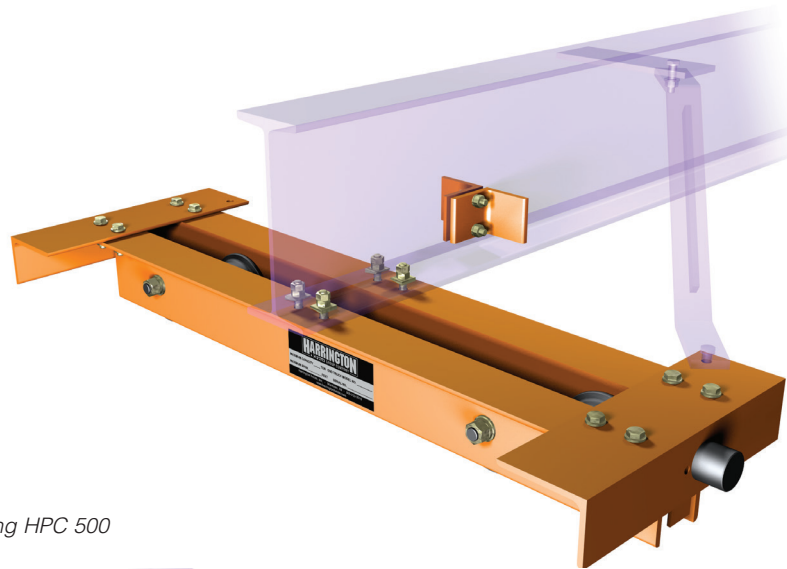


Convertible Push End Trucks HPC 500 Series

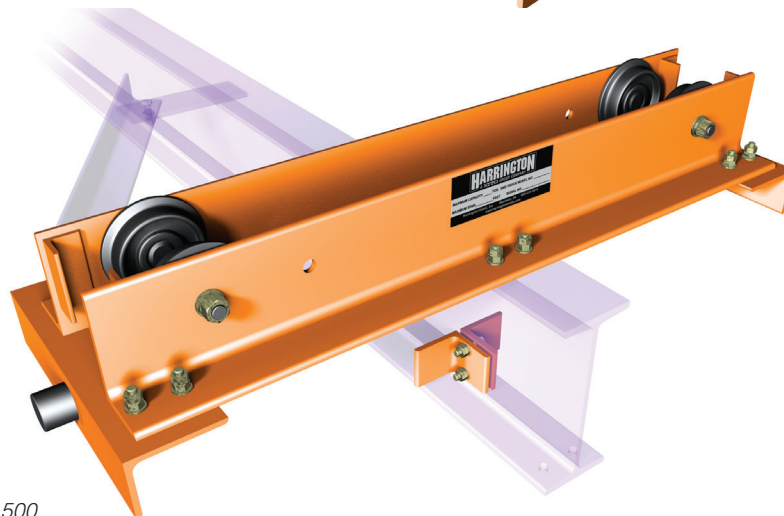
For assembly, maintenance, machining or general industrial operations, HPC 500 series end truck kits offer a medium duty, push end truck design that can be assembled for either top running or underhung cranes. Kits include: two end trucks; rubber bumpers; bridge beam fastener set; trolley stops; beam fabrication instructions; and assembly and installation guide.

Benefits to count on:

- Fully machined frames are convertible for either top running or underhung use.
- Frames are fabricated from structural steel for optimal strength and rigidity.
- Wheels are cast iron and precision machined to roll smoothly on either flat or tapered flanges. Each wheel features a sealed deep groove ball bearing.
- All-bolted for ease of assembly.
- Drop stops and rail sweeps standard.
- Longer or shorter end truck lengths are available—consult factory.



Top Running HPC 500



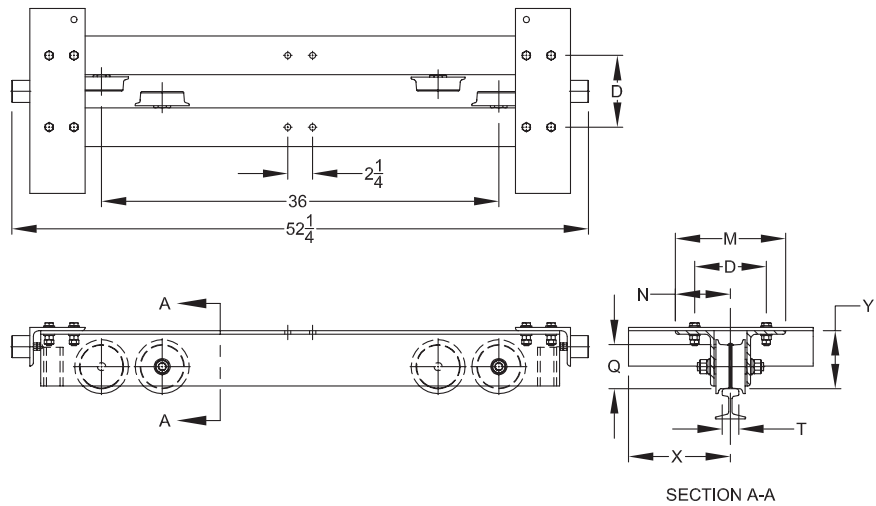
Underhung HPC 500

HPC 500 — CONVERTIBLE PUSH END TRUCK — SPECIFICATIONS AND DIMENSIONS

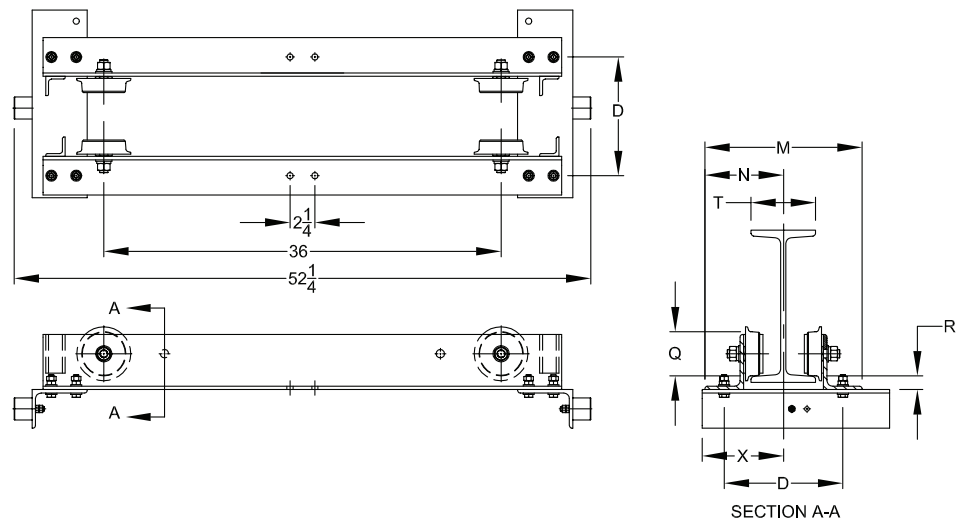
| Cap. (Tons) | Max. Span (ft) | End Truck Product Code | T* Flange or Rail Head Width (in) | | D** (in) | M** End Truck Frame Width (in) | N Runway Ctr. Line to Outer Edge of ET (in) | Q Wheel Tread Dia. (in) | X Width Beyond Span (in) | Y Wheel Running Surface to Bridge Beam (in) | R Wheel Running Surface to Bridge Beam (in) | End Truck Weight (lbs/pr) |
|-------------|----------------|------------------------|-----------------------------------|-----------|-----------|--------------------------------|---|-------------------------|--------------------------|---|---|---------------------------|
| | | | Top Running | Underhung | | | | | | | | |
| 1/2 | 24 | HPC505 | 1.5-6 | 3-6 | T + 4-3/4 | T + 7.3 | M/2 | 3.12 | 10 1/8 - T/2 | 4.3 | 1.2 | 156 |
| 1 | | HPC510 | | T + 8.3 | | 4.00 | | 5.3 | | 1.2 | 214 | |
| 2 | | HPC520 | 3.3-6 | 4.88 | | 5.9 | | 1.1 | | 270 | | |

*Consult customer service for widths or flanges greater than 6 inches.

**Formula shown is for S beams & ASCE rail—add 1/4 inch for W beams and rectangular bar.



HPC 500 Top Running End Trucks
Dimensions in inches



HPC 500 Underhung End Trucks
Dimensions in inches