
Owner's Manual

WASH DOWN AIR POWERED CHAIN HOIST TCW SERIES

½ Ton and 1 Ton Capacity

Code, Lot and Serial Number

WARNING

This equipment should not be installed, operated or maintained by any person who has not read and understood all the contents of this manual. Failure to read and comply with the contents of this manual can result in serious bodily injury or death, and/or property damage.

HARRINGTON
A KITO GROUP COMPANY

Table of Contents

Section	Page Number
1.0 Important Information and Warnings.....	4
1.1 Terms and Summary	
1.2 Warning Tags and Labels	
2.0 Technical Information.....	8
2.1 Specifications	
2.2 Dimensions	
2.3 Part Names	
3.0 Pre-operational Procedures.....	12
3.1 Air Supply System Requirements	
3.2 Air Supply Capacity And Regulation	
3.3 Lubrication	
3.4 Air Filtration	
3.5 Air Dryer	
3.6 Piping, Hoses And Fittings	
3.7 Exhaust Control	
3.8 Mounting Location	
3.9 Connecting Hoist to Air Supply	
3.10 Mounting the Hoist	
3.11 Optional Chain Container	
3.12 Non-Stationary Application	
3.13 Preoperational Checks and Trial Operation	
4.0 Operation.....	23
4.1 Introduction	
4.2 Shall's and Shall Not's for Operation	
4.3 Hoist Controls	
4.4 Adjusting the Controls	
4.5 Speed Adjustment Controls	
4.6 Pendant Controllability Adjustment	

Section	Page Number
5.0	29
5.1	General
5.2	Inspection Classification
5.3	Preoperation Inspection
5.4	Frequent Inspection
5.5	Periodic Inspection
5.6	Occasionally Used Hoists
5.7	Inspection Records
5.8	Inspection Methods and Criteria
6.0	38
6.1	Air Hoist Lubrication
6.2	Load Chain Lubrication
6.3	Hooks and Suspension Components
7.0	40
7.1	Brake
7.2	Load Chain
7.3	Pendant
7.4	Pull Cord
7.5	Load Sheave Inspection
7.6	Storage
7.7	Outdoor Installation
7.8	Operational Environment
8.0	48
9.0	50
10.0	51

1.0 Important Information and Warnings

1.1 Terms and Summary

This manual provides important information for personnel involved with the installation, operation and maintenance of this product. Although you may be familiar with this or similar equipment, it is strongly recommended that you read this manual before installing, operating or maintaining the product.

Danger, Warning, Caution and Notice - Throughout this manual there are steps and procedures that can present hazardous situations. The following signal words are used to identify the degree or level of hazard seriousness.

⚠ DANGER Danger indicates an imminently hazardous situation which, if not avoided, **will** result in **death or serious injury**, and property damage.

⚠ WARNING Warning indicates an imminently hazardous situation which, if not avoided, **could** result in **death or serious injury**, and property damage.

⚠ CAUTION Caution indicates a potentially hazardous situation which, if not avoided, **may** result **minor or moderate injury** or property damage.

NOTICE Notice is used to notify people of installation, operation, or maintenance information which is important but not directly hazard-related.

NOTICE

These general instructions deal with the normal installation, operation, and maintenance situations encountered with the equipment described herein. The instructions should not be interpreted to anticipate every possible contingency or to anticipate the final system, crane, or configuration that uses this equipment. For systems using the equipment covered by this manual, the supplier and owner of the system are responsible for the system's compliance with all applicable industry standards, and with all applicable federal, state and local regulations/codes.

This manual includes instructions and parts information for a variety of hoist types. Therefore, all instructions and parts information may not apply to any one type or size of specific hoist. Disregard those portions of the instructions that do not apply.

Record your hoist's Code and Serial Number (see Section 3.13.8 and Figure 10-1) on the front cover of this manual for identification and future reference to avoid referring to the wrong manual for information or instructions on installation, operation, inspection, maintenance, or parts.

Use only Harrington authorized replacement parts in the service and maintenance of this hoist.

WARNING

Equipment described herein is not designed for and **MUST NOT** be used for lifting, supporting, or transporting people, or for lifting or supporting loads over people.

Equipment described herein should not be used in conjunction with other equipment unless necessary and/or required safety devices applicable to the system, crane, or application are installed by the system designer, system manufacturer, crane manufacturer, installer, or user.

Modifications to upgrade, rerate, or otherwise alter this equipment shall be authorized only by the original equipment manufacturer.

Equipment described herein may be used in the design and manufacture of cranes or monorails. Additional equipment or devices may be required for the crane and monorail to comply with applicable crane design and safety standards. The crane designer, crane manufacturer, or user is responsible to furnish these additional items for compliance. Refer to ANSI/ASME B30.17, "Safety Standard for Top-Running Single Girder Cranes"; ANSI/ASME B30.2 "Safety Standard for Top-Running Double-Girder Cranes"; and ANSI/ASME B30.11 "Safety Standard for Underhung Cranes and Monorails".

If a below-the-hook lifting device or sling is used with a hoist, refer to ANSI/ASME B30.9, "Safety Standard for Slings" or ANSI/ASME B30.20, "Safety Standard for Below-the-Hook Lifting Devices".

Hoists, trolleys and cranes, used to handle hot molten material may require additional equipment or devices. Refer to ASTM-E-2349, "Standard for Safety Requirements in Metal Casting: Sand Preparation, Molding, and Core Making; Melting and Pouring; and Cleaning and Finishing".

Failure to read and comply with any one of the limitations noted herein can result in serious bodily injury or death, and/or property damage.

DANGER

HAZARDOUS AIR PRESSURE IS PRESENT IN THE HOIST, IN THE SUPPLY OF COMPRESSED AIR TO THE HOIST, AND IN THE CONNECTIONS BETWEEN COMPONENTS.

Before performing ANY maintenance on the equipment, de-energize the supply of compressed air to the equipment, and lock and tag the supply device in the de-energized position. Refer to ANSI Z244.1, "Personnel Protection - Lockout/Tagout of Energy Sources."

Only trained and competent personnel should inspect and repair this equipment.

NOTICE

It is the responsibility of the owner/user to install, inspect, test, maintain, and operate a hoist in accordance with ANSI/ASME B30.16, "Safety Standard for Overhead Hoists", OSHA Regulations. If the hoist is installed as part of a total lifting system, such as an overhead crane or monorail, it is also the responsibility of the owner/user to comply with the applicable ANSI/ASME B30 volume that addresses that type of equipment.

It is the responsibility of the owner/user to have all personnel that will install, inspect, test, maintain, and operate a hoist read the contents of this manual and applicable portions of ANSI/ASME B30.16, "Safety Standard for Overhead Hoists" and OSHA Regulations. If the hoist is installed as part of a total lifting system, such as an overhead crane, the applicable ANSI/ASME B30 volume that addresses that type of equipment must also be read by all personnel.

If the hoist owner/user requires additional information, or if any information in the manual is not clear, contact Harrington or the distributor of the hoist. Do not install, inspect, test, maintain, or operate this hoist unless this information is fully understood.

A regular schedule of inspection of the hoist in accordance with the requirements of ANSI/ASME B30.16 should be established and records maintained.

NOTICE

Harrington TCW wash down hoists are designed for applications which require regular washing of lifting equipment. All products should be tested for suitability on a particular application prior to actual use. The Occupational Safety and Health Act of 1970 places the burden of compliance with the owner/employer, not the manufacturer. Many OSHA requirements are not concerned or connected with the manufactured product but are associated with the final installation. It is the owner's and user's responsibility to determine the suitability of a product for any particular use. It is recommended that all applicable industry, trade association, federal, state and local regulations be checked.

Read all operating instructions and warnings before operation.

1.2 Warning Tags and Labels

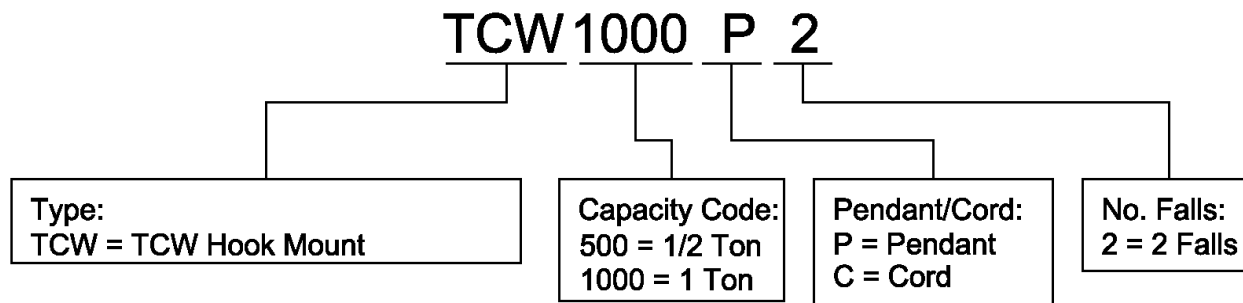
The warning tag illustrated below in Figure 1-1 is supplied with each hoist shipped from the factory. If the tag is not attached to your hoist (for pendant control, the warning tag is attached to the pendant hose; for the pull cord control, the warning tag is attached to the up cord), order a tag from your dealer and install it. See parts list in the parts section of this manual. Read and obey all warnings attached to this hoist. Tag is not shown actual size.



2.0 Technical Information

2.1 Specifications

2.1.1 Product Code



2.1.2 Operating Conditions and Environment

Temperature range: +14° to +140°F (-10° to +60°C)

Relative Humidity: 85% or less

Noise Level: 83 dba maximum @ 1 meter when lifting rated load
93 dba maximum @ 1 meter when lowering rated load

Supply Air: 60 to 90 psi (0.4 to 0.6 MPa)

Air Consumption: 60 to 75 cfm (1.7 to 2.1 m³/min)

Air Filtration Requirements: Maximum 5 micron air filter or finer

Optional:

Air Lubrication Requirements: Minimum 10 to 15 drops per minute (0.2-0.3 cc/min) of oil

2.1.3 TCW Features and Compliances for Wash Down Application

- 1.) Unpainted cast aluminum body
- 2.) Stainless steel and electroplated external components
- 3.) The formulation of NEVASTANE HT/AW WHITE chain lubrication complies with Title 21 CFR 178.3570 by the Food and Drug Administration for lubricants with incidental food contact.
- 4.) Zinc plated hooks
- 5.) The formulation of Mobil SHC Polyrex 222 gearbox grease complies with Title 21 CFR 178.3570 by the Food and Drug Administration for lubricants with incidental food contact.

	Cap. (Tons)	Product Code	Standard Lift (ft)	Push Button Hose L (ft)	Up/Down Speeds (ft/min @ 90 psi)		Up/Down Air Consumption Rates (cubic ft/min @ 90 psi)		Load Chain Diameter (mm) x Chain Fall Lines	Net Weight (lbs)	Weight for Additional One foot of Lift (lbs)
					No Load	w/Full Load	No Load	w/Full Load			
Pendant Model	1/2	TCW500P	10	8.1	79 / 53	43 / 79	64 / 57	57 / 64	6.3 x 1	46	0.6
	1	TCW1000P2	10	8.1	39 / 26	21 / 39	64 / 57	57 / 64	6.3 x 2	60	1.2
Cord Model	1/2	TCW500C	10	7.3	79 / 52	43 / 79	64 / 57	57 / 64	6.3 x 1	44	0.6
	1	TCW1000C2	10	7.3	39 / 26	21 / 39	64 / 57	57 / 64	6.3 x 2	58	1.2

2.2 Dimensions

Cap. (Tons)	Product Code	Headroom C (in)	a (in)	b (in)	d (in)	e (in)	g (in)	h (in)	i (in)	j (in)
1/2	TCW500P	16.3	14.4	6.6	6.4	8.0	1.0	4.4	2.2	1.0
1	TCW1000P2	18.0	14.4	9.0	6.4	8.0	1.1	6.3	2.7	1.9

Table 2-3 TCW with Cord Control Dimensions

Cap. (Tons)	Product Code	Headroom C (in)	a (in)	b (in)	d (in)	e (in)	g (in)	h (in)	i (in)	j (in)
1/2	TCW500C	16.3	14.4	8.7	6.4	8.0	1.0	5.3	3.3	1.0
1	TCW1000C2	18.0	14.4	9.0	6.4	8.0	1.1	6.3	2.7	1.9

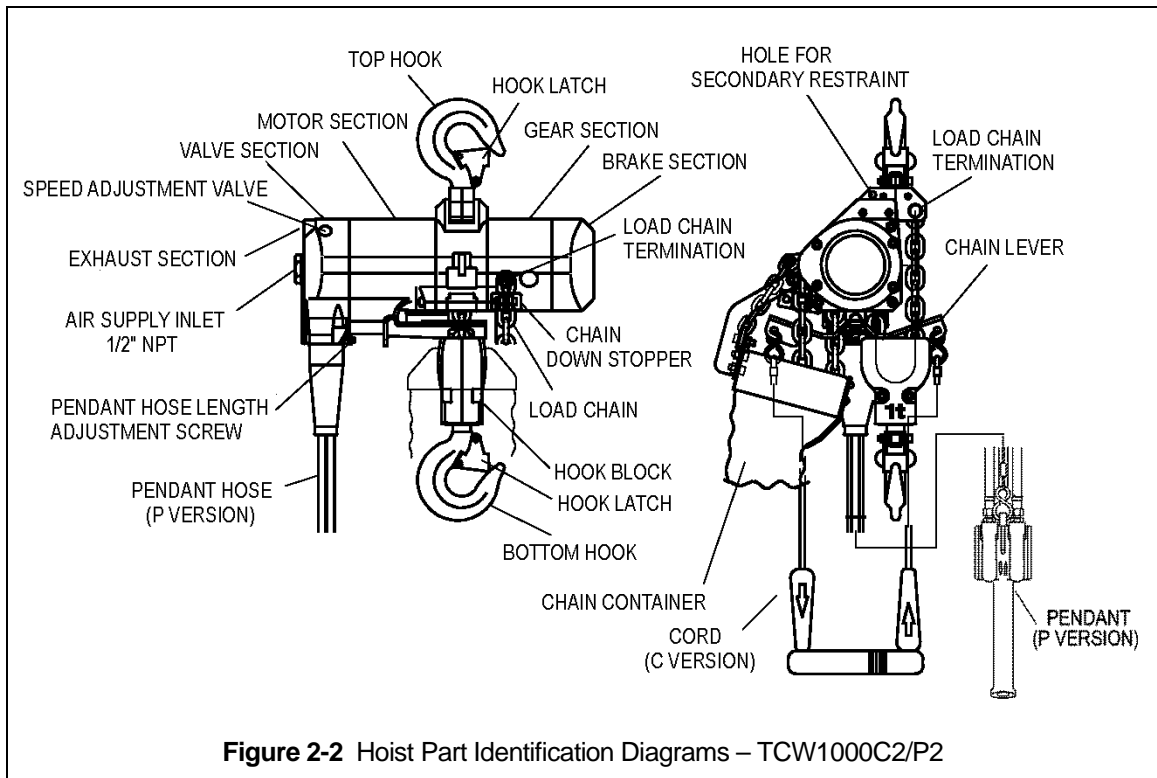
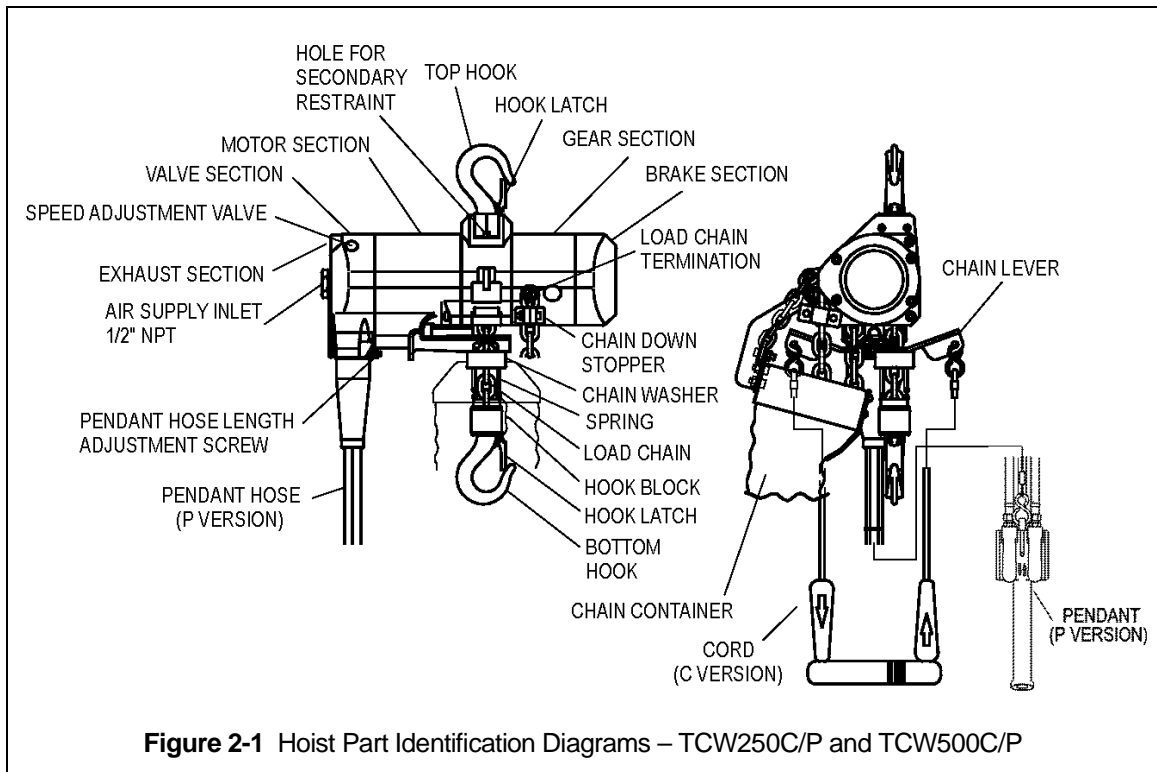
Table 2-4 Top and Bottom Hook Dimension*

Units = inch

Product Code	a	b	c	d	e	f	g	h
TCW500C/P	0.6	0.8	0.6	0.8	1.4	1.3	1.0	2.9
TCW1000C2/P2	1.4	0.9	1.1	0.9	1.6	1.6	1.1	4.2

*Refer to **Section 5.7** for inspection dimensions and limits.

2.3 Part Names



3.0 Preoperational Procedures

3.1 Air Supply System Requirements

- 3.1.1 **NOTICE** Pressure and Flow - Verify that the air supply system has capacity to supply your air hoist with required pressure and flow. Otherwise the hoist may operate poorly or may fail to operate. See Section 3.2.
- 3.1.2 **CAUTION** Lubrication – The hoist requires lubrication for proper operation. The oil in the air supply is the primary source of lubrication to the hoist. Therefore, a dedicated air supply lubricator must be used with the hoist. Refer to Section 3.3.
- 3.1.3 **CAUTION** Air Quality - Good air quality is essential to prevent damage to your hoist and to ensure its proper operation. The air must be clean and free of debris such as dirt and rust. Refer to Section 3.4 for filtration requirements. The air must also be dry; free of moisture and water. Refer to Section 3.5.

3.2 Air Supply Capacity And Regulation

- 3.2.1 Capacity - The air supply system must be capable of delivering the required airflow volume (cfm) to the hoist inlet port. Without the required airflow volume the hoist will not operate properly or may not operate at all. See Section 2.0 for your hoists air consumption requirements. In determining if your system is capable of supplying the required airflow, consider the following:
- Capacity of compressor(s) and tank
 - Other air consuming equipment
 - Flow restrictions such as pipes, hoses, valves and fittings
- Inadequate capacity will cause a significant drop in pressure when the hoist is operated, and could cause poor performance or failure to operate.
- 3.2.2 Regulation - The hoist requires a constant supply of air at a pressure of between 60 and 90 psi. If the air supply is not regulated or is regulated at a pressure greater than 90 psi, then a regulator must be used. The regulator may be located anywhere upline of the air supply to the hoist (or lubricator if installed).

3.3 Lubrication

- 3.3.1 TCW hoists do not require supply air lubrication for safe operation; however, if the hoist supply air is lubricated, there is no disadvantage.
- 3.3.2 If using lubrication, follow the guidelines below for the best results. The lubricator must be located as follows:
- 1) **Best location** - At the hoist inlet. In this case the lubricator can be either the mist type or drop type.
 - 2) **Second best location** - No more than 15 feet away from the hoist, at the same elevation or above the hoist inlet. In this case the mist type lubricator must be used.
 - 3) **Third best location** - No more than 15 feet away below the hoist. In this case the mist type lubricator must be used.
- 3.3.3 **CAUTION** The lubricator must be set to deliver the equivalent of 10 to 15 drops of oil per minute (0.2-0.3 cc/minute). The hoist's exhaust will emit a fine oil mist when properly lubricated.

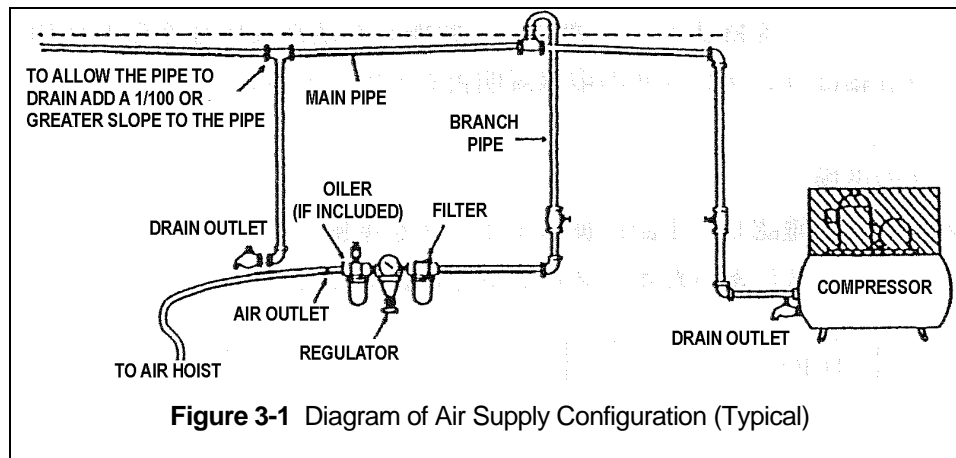
3.4 Air Filtration

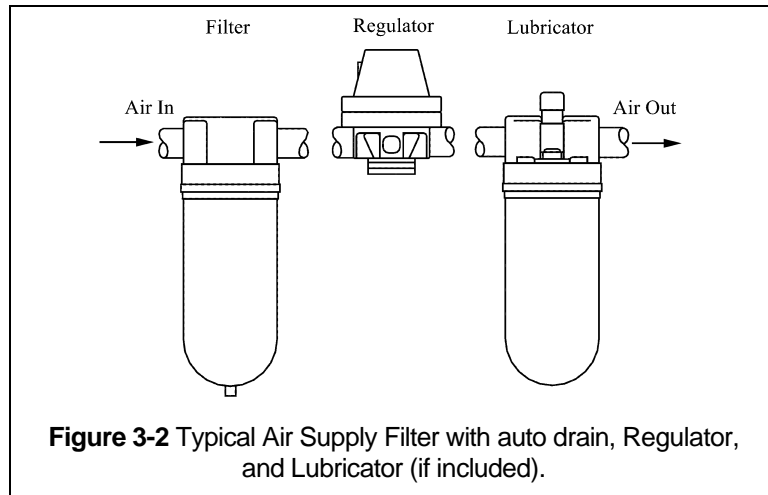
- 3.4.1 **⚠ CAUTION** The air entering the hoist inlet must not contain any particulate greater than 5 microns in size. Therefore, the hoist must have a 5 micron filter in its air supply. The filter must be upstream of the lubricator.
- 3.4.2 The filter servicing the hoist can also service other hoists and air consuming equipment. In this case, the air filter must be in sized for the total air consumption of the equipment it is servicing.
- 3.4.3 It is highly recommended to use a filter with automatic draining capability, to prevent excessive moisture accumulation.

3.5 **Air Dryer - ⚠ CAUTION** To prevent corrosion and hoist malfunction, employ an air dryer in the air supply system to ensure that dry air is supplied to the hoist. If there is moisture in the air supplied to the hoist, this moisture will cause corrosion on internal hoist components during periods when the hoist is idle leading to hoist malfunction.

3.6 Piping, Hoses And Fittings

- 3.6.1 **⚠ CAUTION** System Configuration - The system should be configured as shown in Figure 3-1. Since moisture tends to accumulate in compressed air systems, corrosion may result if the system is not periodically drained.
- Arrange for a drain in the air supply piping at the lowest point in the piping, and
 - Periodically drain the system to remove moisture/water from the system and to prevent corrosion.
 - Filter, regulator (if equipped), and lubricator must be arranged in the order shown in Figure 3-2.



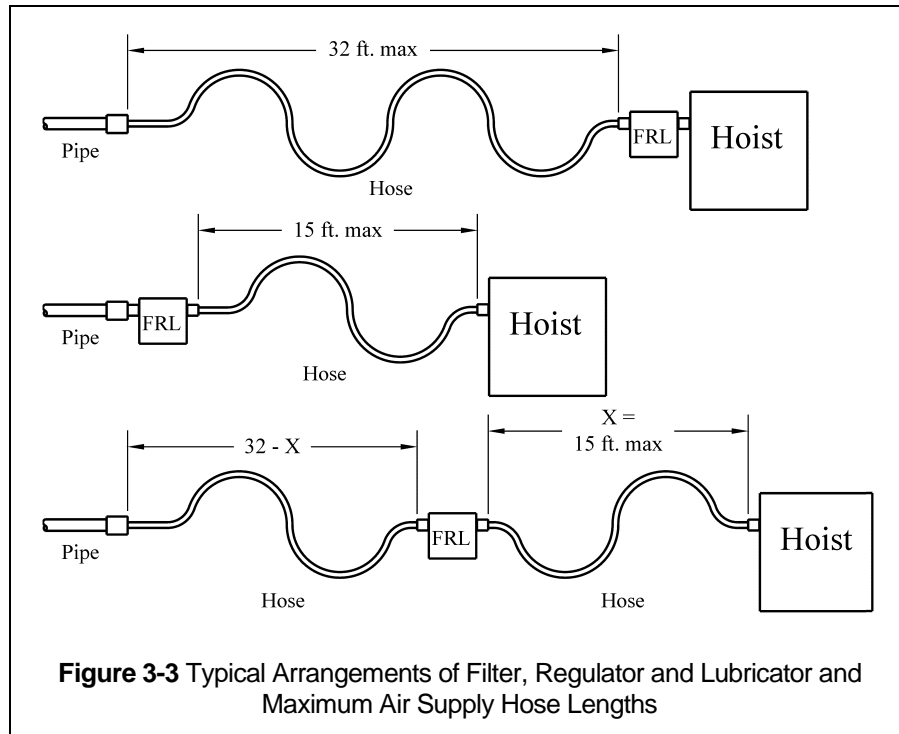


3.6.2 **NOTICE** Piping - Pipe should be sized to accommodate the hoist airflow requirements. **Table 3-1** gives recommended pipe sizes.

Model	Diameter of Supply Pipe	Diameter of Supply Hose
TCW500C/P TCW1000C2/P2	Inside diameter 3/4" or larger	Inside diameter 1/2" or larger

3.6.3 **NOTICE** Hoses - The connection from the air supply system piping to the hoist must be made with a flexible pressure hose. Due to normal line losses in air supply lines:

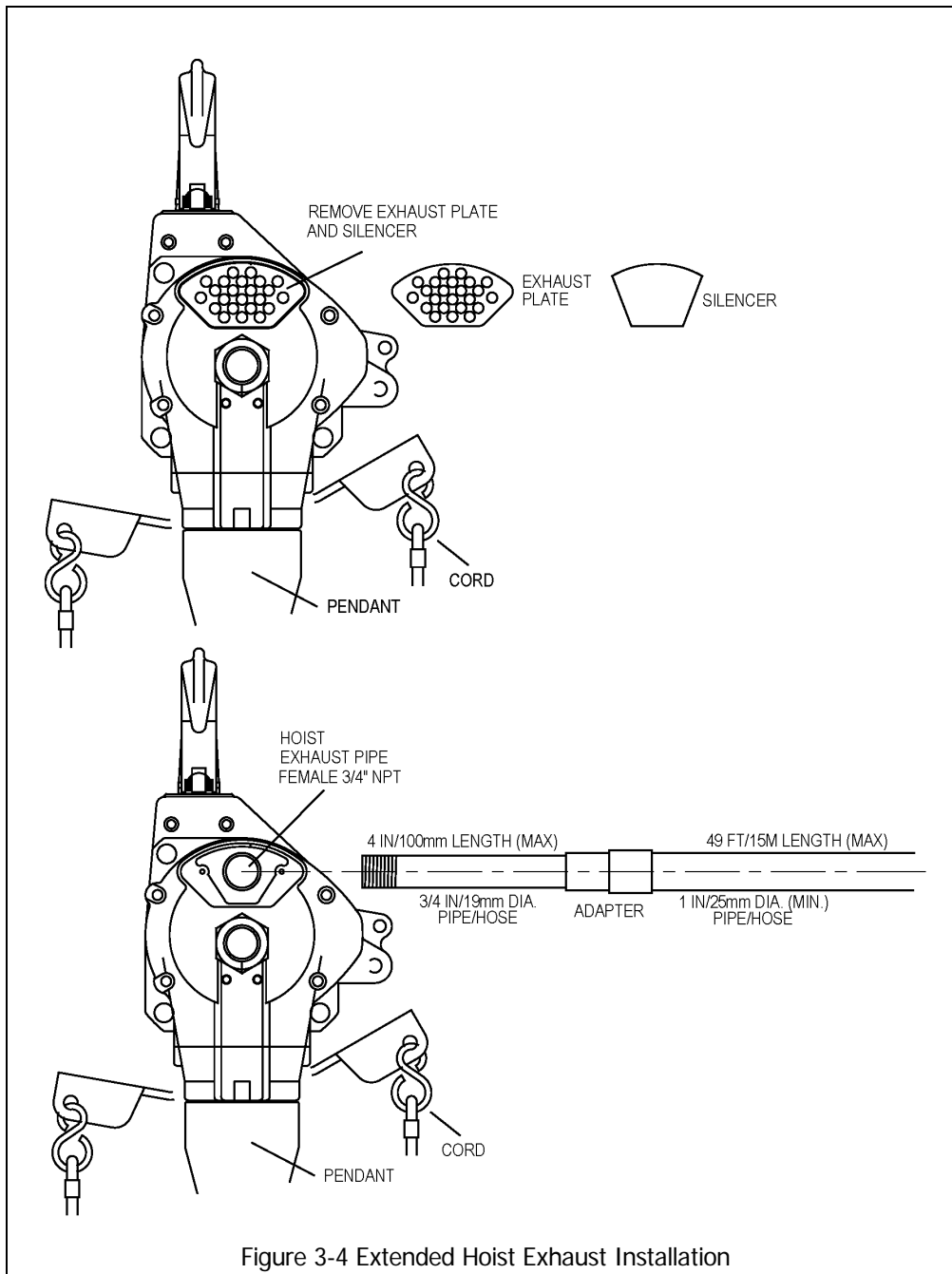
- Do not use hose smaller than specified in Table 3-1, and
- Limit the length of the hose to that specified in Figure 3-3.
- If your application exceeds these requirements consult factory.
- The use of "Quick Couplers" is to be avoided. Quick Couplers restrict the air flow that will affect hoist performance.



- 3.6.4 **⚠ CAUTION** Fittings - Important considerations regarding fittings in the hoist's air supply include:
- When connecting air supply components, remove all dirt or debris from the connecting surfaces of the hoses, pipes, fittings, or threaded fasteners to prevent contaminants from entering the hoist.
 - Keep airflow restrictions such as quick disconnect fittings, bends, elbows, and adapters to a minimum.
- 3.6.5 **⚠ CAUTION** Before connecting the hoist to its air supply line; perform the proper draining and purging procedures to prevent contaminants or moisture from entering the hoist.

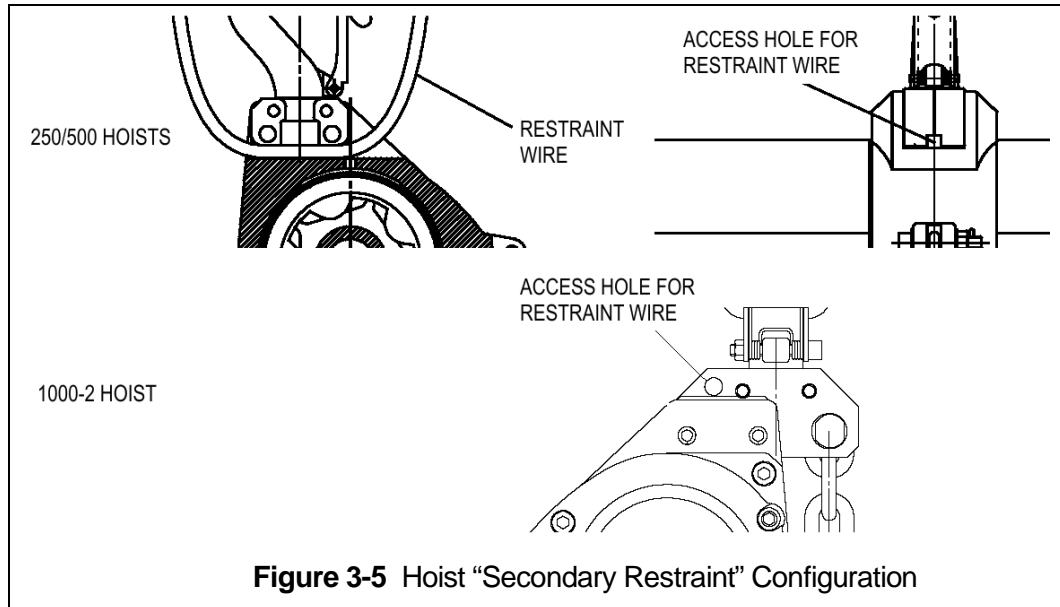
3.7 Exhaust Control

3.7.1 Some hoist applications require the hoist exhaust to be expelled outside the immediate environment. To accommodate this need it is possible to extend the hoist exhaust to another area. Figure 3-4 describes the method to extend the hoist exhaust.



3.8 Mounting Location

- 3.8.1 **⚠ WARNING** Prior to mounting the hoist ensure that the suspension and its supporting structure are adequate to support the hoist and its loads. If necessary consult a professional that is qualified to evaluate the adequacy of the suspension location and its supporting structure.
- 3.8.2 For applications requiring a “Secondary Restraint” a “hole” has been provided in the hoist Top Hook Yoke. Reference Figure 3-5.

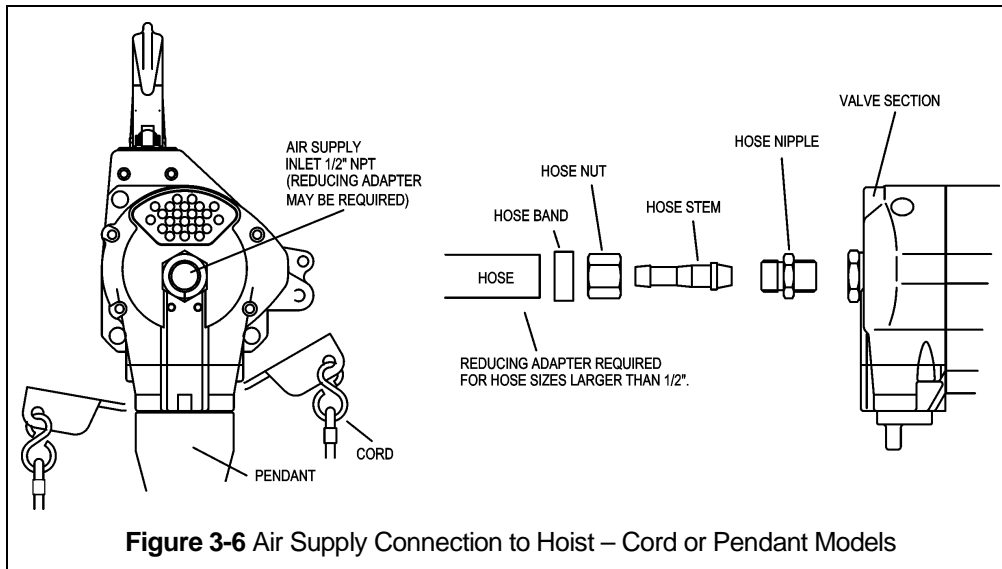


- 3.8.3 **NOTICE** See Section 7.7 for outdoor installation considerations.

3.9 Connecting Hoist to Air Supply

3.9.1 **⚠ WARNING** HAZARDOUS AIR PRESSURE IS PRESENT IN THE HOIST, IN THE SUPPLY OF COMPRESSED AIR TO THE HOIST, AND IN THE CONNECTIONS BETWEEN COMPONENTS.

3.9.2 Shut off the air supply and stop the airflow completely. Lock out and tag out in accordance with ANSI Z244.1 "Personnel Protection - Lockout/Tagout of Energy Sources".



3.9.3 **⚠ CAUTION** Before connecting the air supply hose to the hoist, always purge the air hose to clear any debris and water.

3.9.4 Make connections to air supply; reference Figure 3-6. Use a reducing adapter at the hoist valve section for hose sizes larger than 1/2".

3.9.5 **NOTICE** Where conditions dictate, the installation sequence can be reversed by mounting the hoist first (Section 3.10) followed by connecting the air supply.

3.10 Mounting the Hoist

3.10.1 Hook Mounted to a Fixed Location - Attach the hoist's top hook to the fixed suspension point.

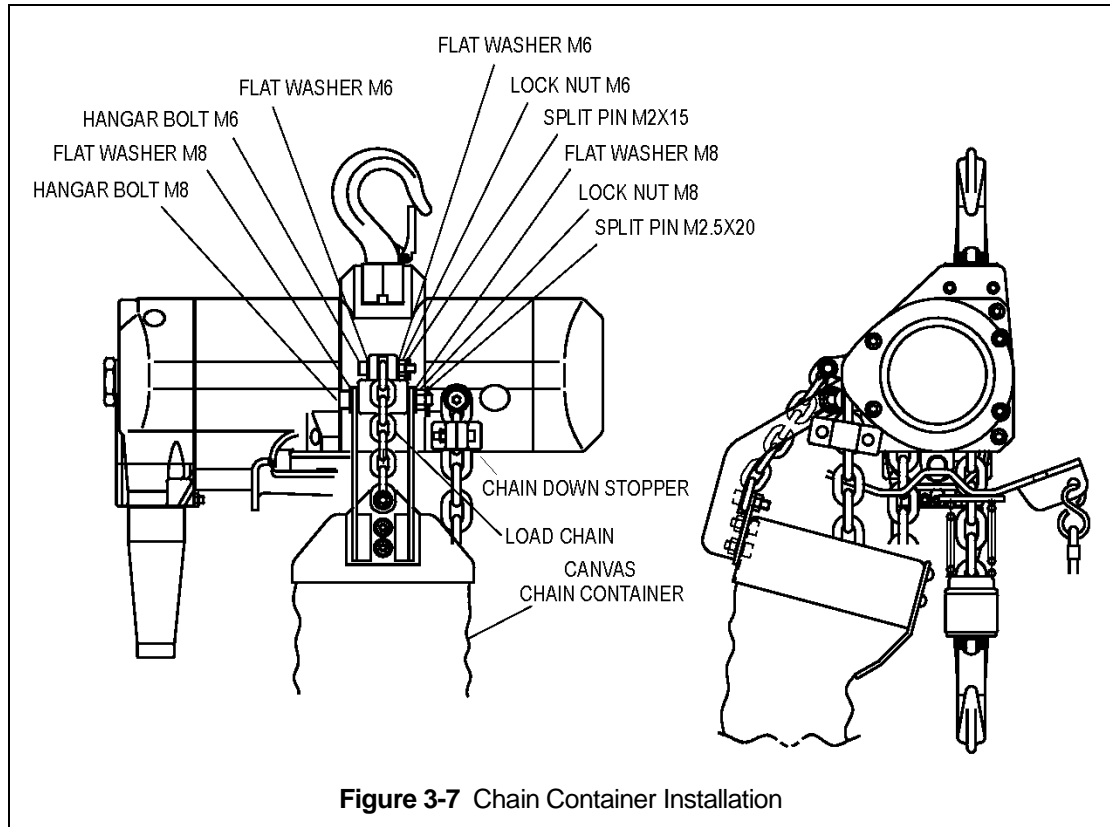
3.10.2 **⚠ WARNING** Ensure that the fixed suspension point rests on the center of the hook's saddle and that the hook's latch is engaged.

3.11 Optional Chain Container

3.11.1 Follow instructions below to install the optional chain container. Refer to Figure 3-7.

- 1) Attach the metal bracket on top of the chain container to the lower boss on the side of the hoist body using the M8 Socket Bolt, Washers, Nut and Split Pin provided.
- 2) Attach the support chain to the upper boss on the side of the hoist body using the M6 Socket Bolt, Washers, Nut and Split Pin provided.

- 3) Make sure all fasteners on the chain container and chain attachment points are secure and that the split pins are sufficiently bent.
- 4) Feed the Chain into the Chain Container beginning with the no-load end. Take care to avoid twisting or tangling the Chain.
- 5) **⚠ CAUTION** Do not use the Chain Container if any parts are damaged or if any fasteners/hardware are missing.



3.12 Non-Stationary Application

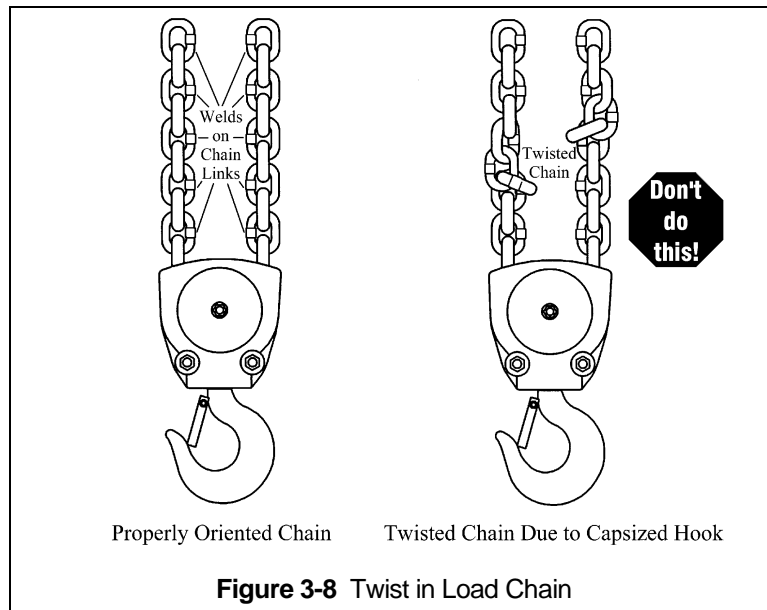
- 3.12.1 For applications such as rental fleets or construction sites where the hoist is moved from place-to-place, a filter and lubricator are still required. Consult factory for recommended methods.
- 3.12.2 Connections and fittings must be kept clean and care taken to prevent dirt, debris and moisture from entering the hoist.
- 3.12.3 Recommended practice for removing the hoist from an installation:
 - 1) Verify the hoist operates correctly by running the hoist briefly (with well lubricated air, if desired), noting any malfunctions or abnormal noises.
 - 2) Shut off the air supply to the hoist, bleed off any pressure in the system then disconnect the air supply line.
 - 3) Inject a small quantity (approximately 20 drops) of turbine oil (see Section 6.0) into the hoist's inlet port
 - 4) Plug the inlet port.

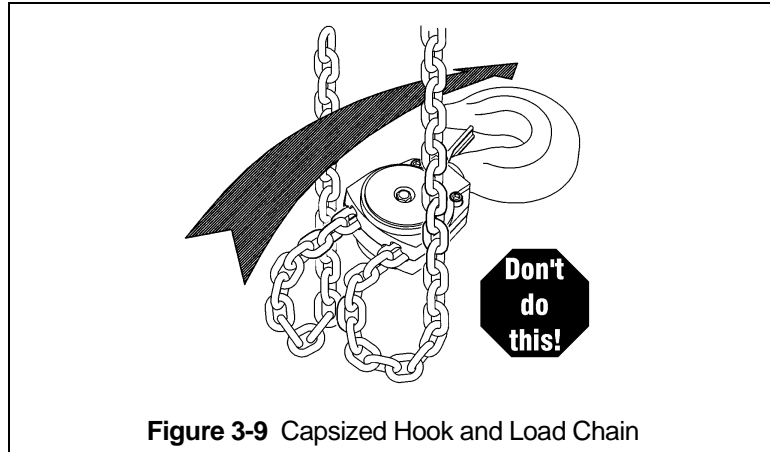
3.13 Preoperational Checks and Trial Operation

3.13.1 **⚠ CAUTION** Check for the availability of required operating air pressure of between 60 psi to 90 psi at the hoist's inlet port before trying to operate the hoist.

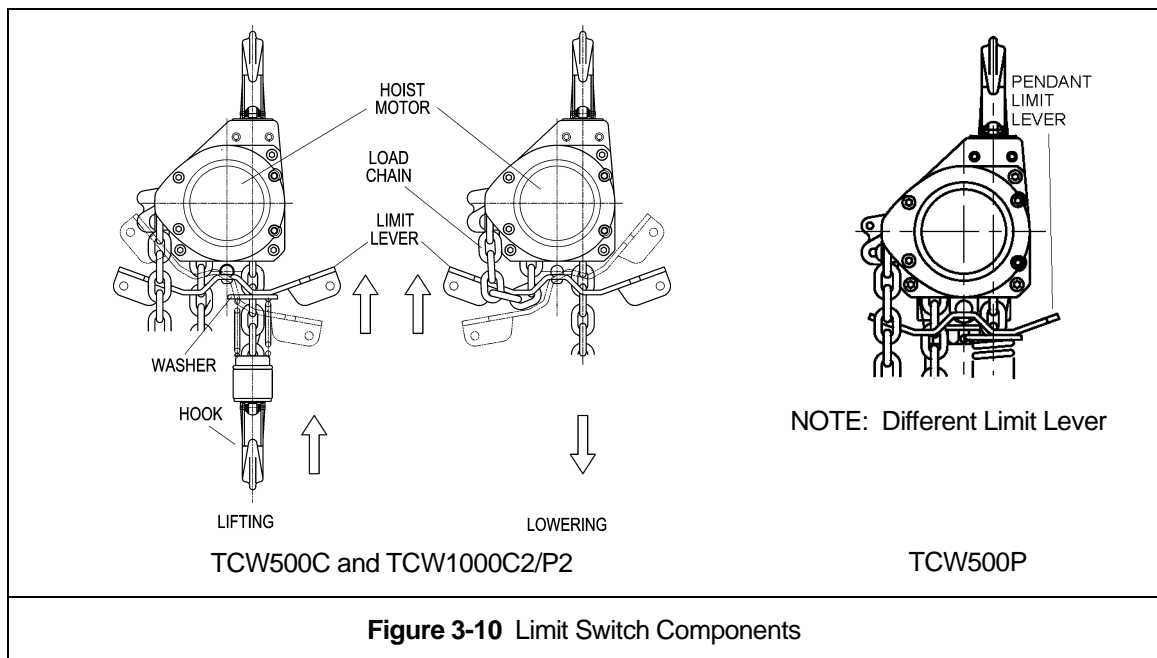
3.13.2 **⚠ WARNING** In the event of loss of air supply, be aware that a load can be lowered by intentionally or unintentionally performing any of the following: pulling on the control cord in the down direction, manually operating the control yoke in the down direction, or operating the twist rod control in the down direction. Releasing the control cord, or moving the control yoke back to its center/neutral position will stop and hold the load. Only a qualified person should perform a load lowering operation in this manner because with loss of air supply the load cannot be raised. Failure to follow safe operating procedures outlined in this manual when performing this operation could result in serious injury or death. See Section 4.6 "Special Operation – Lowering the load without air supply".

3.13.3 **⚠ WARNING** Verify that the load chain is not twisted or tangled and that the bottom hook is not capsized prior to operating the hoist. Correct all load chain irregularities before conducting the first hoist operation. See Figures 3-8 and 3-9.





- 3.13.4 **⚠ WARNING** Ensure the load chain is adequately lubricated according to Section 6.2.
- 3.13.5 **⚠ WARNING** Confirm the adequacy of the rated capacity for all slings, chains, wire ropes and all other lifting attachments before use. Inspect all load suspension members for damage prior to use and replace or repair all damaged parts.
- 3.13.6 **⚠ WARNING** Verify that the Chain/Limit Lever is operational and can move freely in both the up and down directions. For reference see Figure 3-10.



- 3.13.7 Measure and record the "K" dimension of all hooks on hoist. See Table 5-7 under Section 5, "Inspection". Always use the same side of the hook to measure and record the "K" dimension.
- 3.13.8 Record the hoist Code Number and Serial Number (from the nameplate on the hoist – see Section 10) in the space provided on the cover of this manual.
- 3.13.9 Ensure that the hoist is properly installed to either a fixed point, or trolley, whichever applies.
- 3.13.10 If hoist is installed on a trolley, ensure that

- trolley is properly installed on the beam, and
 - stops for the trolley are correctly positioned and securely installed on the beam.
- 3.13.11 Ensure that all nuts, bolts and split (cotter) pins are sufficiently fastened.
- 3.13.12 For hoists with pendant controls, ensure that the Pendant Hoses and Strain Relief wire are properly attached to the hoist. See Section 7.3
- 3.13.13 For hoists with cord controls, ensure that the Cords are properly attached to the hoist. See Section 7.4
- 3.13.14 **⚠ CAUTION** Check Air Supply - Check air supply before everyday use. Ensure proper air quality and air pressure.
- 3.13.15 **⚠ CAUTION** If using an air lubricator, check the lubricator for proper function and adequate oil level.
- 3.13.16 Confirm proper operation.
- Before operating read and become familiar with Section 4 - Operation.
 - Before operating ensure that the hoist (and trolley) meets the Inspection, Testing and Maintenance requirements of ANSI/ASME B30.16.
 - Before operating ensure that nothing will interfere with the full range of the hoist's (and trolley's) operation.
- 3.13.17 Proceed with trial operation to confirm proper operation.
- **⚠ CAUTION** Make sure hook travel is in the same direction as shown on controls.
 - Initially operate slowly under no load in both directions. Verify controls agree with hoist direction.
 - Perform inspections per Section 5.4, "Frequent Inspections".

4.0 Operation

4.1 Introduction

DANGER

DO NOT WALK UNDER A SUSPENDED LOAD

WARNING

HOIST OPERATORS SHALL BE REQUIRED TO READ THE OPERATION SECTION OF THIS MANUAL, THE WARNINGS CONTAINED IN THIS MANUAL, INSTRUCTION AND WARNING LABELS ON THE HOIST OR LIFTING SYSTEM, AND THE OPERATION SECTIONS OF ANSI/ASME B30.16 and ANSI/ASME B30.10. THE OPERATOR SHALL ALSO BE REQUIRED TO BE FAMILIAR WITH THE HOIST AND HOIST CONTROLS BEFORE BEING AUTHORIZED TO OPERATE THE HOIST OR LIFTING SYSTEM.

HOIST OPERATORS SHOULD BE TRAINED IN PROPER RIGGING PROCEDURES FOR THE ATTACHMENT OF LOADS TO THE HOIST HOOK.

HOIST OPERATORS SHOULD BE TRAINED TO BE AWARE OF POTENTIAL MALFUNCTIONS OF THE EQUIPMENT THAT REQUIRE ADJUSTMENT OR REPAIR, AND TO BE INSTRUCTED TO STOP OPERATION IF SUCH MALFUNCTIONS OCCUR, AND TO IMMEDIATELY ADVISE THEIR SUPERVISOR SO CORRECTIVE ACTION CAN BE TAKEN.

HOIST OPERATORS SHOULD HAVE NORMAL DEPTH PERCEPTION, FIELD OF VISION, REACTION TIME, MANUAL DEXTERITY, AND COORDINATION.

HOIST OPERATORS SHOULD **NOT** HAVE A HISTORY OF OR BE PRONE TO SEIZURES, LOSS OF PHYSICAL CONTROL, PHYSICAL DEFECTS, OR EMOTIONAL INSTABILITY THAT COULD RESULT IN ACTIONS OF THE OPERATOR BEING A HAZARD TO THE OPERATOR OR TO OTHERS.

HOIST OPERATORS SHOULD **NOT** OPERATE A HOIST OR LIFTING SYSTEM WHEN UNDER THE INFLUENCE OF ALCOHOL, DRUGS, OR MEDICATION.

OVERHEAD HOISTS ARE INTENDED ONLY FOR VERTICAL LIFTING SERVICE OF FREELY SUSPENDED UNGUIDED LOADS. DO **NOT** USE HOIST FOR LOADS THAT ARE NOT LIFTED VERTICALLY, LOADS THAT ARE NOT FREELY SUSPENDED, OR LOADS THAT ARE GUIDED.

NOTICE

- Read ANSI/ASME B30.16 and ANSI/ASME B30.10.
- Read the hoist manufacturer's Operating and Maintenance Instructions.
- Read all labels attached to equipment.

The operation of an overhead hoist involves more than activating the hoist's controls. Per the ANSI/ASME B30 standards, the use of an overhead hoist is subject to certain hazards that cannot be mitigated by engineered features, but only by the exercise of intelligence, care, common sense, and experience in anticipating the effects and results of activating the hoist's controls. Use this guidance in conjunction with other warnings, cautions, and notices in this manual to govern the operation and use of your overhead hoist.

4.2 Shall's and Shall Not's for Operation

WARNING

Improper operation of a hoist can create a potentially hazardous situation which, if not avoided, could result in death or serious injury, and substantial property damage. To avoid such a potentially hazardous situation **THE OPERATOR SHALL:**

- **NOT** operate a damaged, malfunctioning or unusually performing hoist.
- **NOT** operate a hoist until you have thoroughly read and understood Manufacturer's Operating and Maintenance Instructions or Manuals.
- Be familiar with operating controls, procedures, and warnings.
- **NOT** operate a hoist that has been modified without the manufacturer's approval or without certification that it is in conformity with ANSI/ASME B30 volumes.
- **NOT** lift more than rated load for the hoist.
- **NOT** use hoist with twisted, kinked, damaged, or worn chain.
- **NOT** use the hoist to lift, support, or transport people.
- **NOT** lift loads over people.
- **NOT** operate a hoist unless all persons are and remain clear of the supported load.
- **NOT** operate unless load is centered under hoist.
- **NOT** attempt to lengthen the load chain or repair damaged load chain.
- Protect the hoist's load chain from weld splatter or other damaging contaminants.
- **NOT** operate hoist when it is restricted from forming a straight line from hook to support in the direction of loading.
- **NOT** use load chain as a sling or wrap load chain around load.
- **NOT** apply the load to the tip of the hook or to the hook latch.
- **NOT** apply load unless the load chain is properly seated in the load sheave (and idle sheave for hoist with two chain falls).
- **NOT** apply load if bearing prevents equal loading on all load-supporting chain.
- **NOT** operate beyond the limits of the load chain travel.
- **NOT** leave load supported by the hoist unattended unless specific precautions have been taken.
- **NOT** allow the load chain or hook to be used as an electrical or welding ground.
- **NOT** allow the load chain or hook to be touched by a live welding electrode.
- **NOT** remove or obscure the warnings on the hoist.
- **NOT** operate a hoist on which the safety placards or decals are missing or illegible
- **NOT** operate a hoist unless it has been securely attached to a suitable support.
- **NOT** operate a hoist unless load slings or other approved single attachments are properly sized, and seated in the hook saddle.
- **NOT** use the hoist in such a way that could result in shock or impact loads being applied to the hoist.
- Take up slack carefully – make sure load is balanced and load-holding action is secure before continuing.
- Shut down a hoist that malfunctions or performs unusually and report such malfunction.
- Make sure hoist limit lever functions properly.
- Warn personnel before lifting or moving a load.
- Warn personnel of an approaching load.

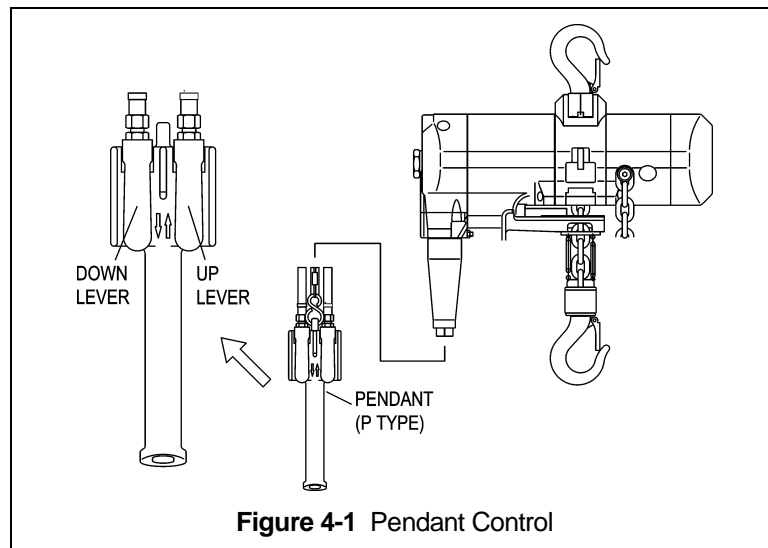
⚠ CAUTION

Improper operation of a hoist can create a potentially hazardous situation which, if not avoided, could result in minor or moderate injury, or property damage. To avoid such a potentially hazardous situation **THE OPERATOR SHALL:**

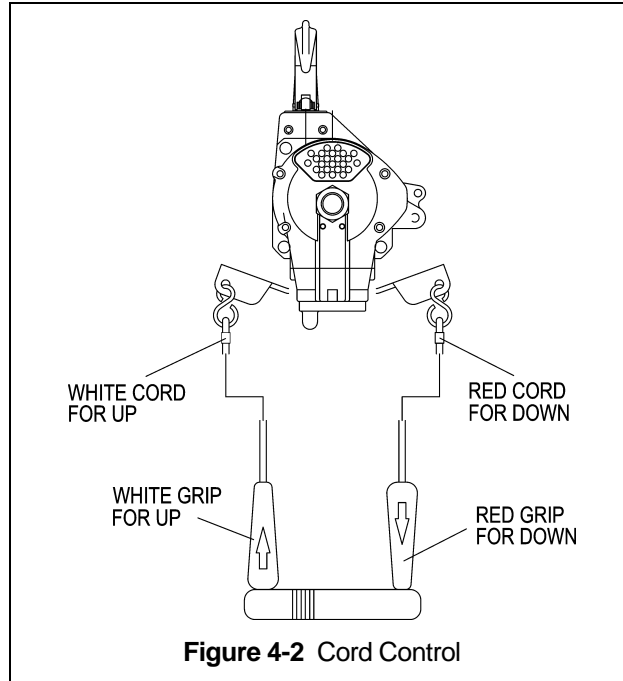
- Maintain a firm footing or be otherwise secured when operating the hoist.
- Check brake function by tensioning the hoist prior to each lift operation.
- Use hook latches. Latches are to retain slings, chains, etc. under slack conditions only.
- Make sure the hook latches are closed and not supporting any parts of the load.
- Make sure the load is free to move and will clear all obstructions.
- Avoid swinging the load or hook.
- Make sure hook travel is in the same direction as shown on controls.
- Inspect the hoist regularly, replace damaged or worn parts, and keep appropriate records of maintenance.
- Use the hoist manufacturer's recommended parts when repairing the unit.
- Lubricate load chain per hoist manufacturer's recommendations.
- **NOT** use the hoist load limiting or warning device to measure load.
- **NOT** use limit lever as a routine operating stop. It is an emergency device only.
- **NOT** allow your attention to be diverted from operating the hoist.
- **NOT** allow the hoist to be subjected to sharp contact with other hoists, structures, or objects through misuse.
- **NOT** adjust or repair the hoist unless qualified to perform such adjustments or repairs.

4.3 Hoist Controls

- 4.3.1 For hoists mounted to motorized trolleys follow the control instruction included in the trolley's Owner's Manual.
- 4.3.2 Pendant Control - When using the pendant control depress the up lever to raise the hoist or the down lever to lower the hoist as shown in Figure 4-1 below. To stop motion release the lever switches.



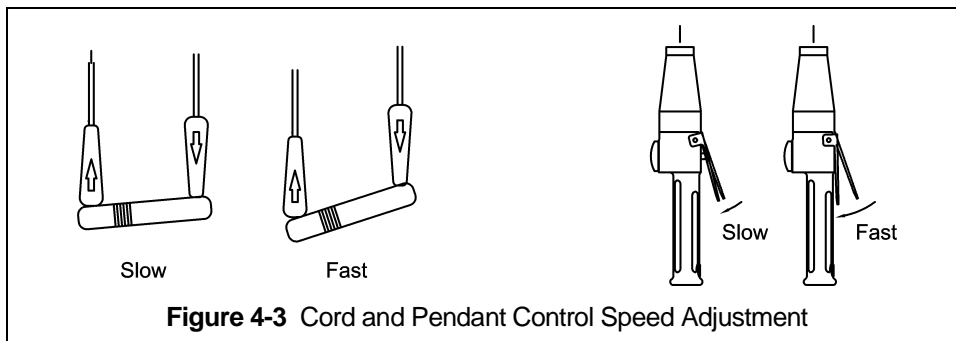
- 4.3.3 Cord Control - When using a hoist with cord control, pull down on the appropriate colored cord to raise or lower the hoist. White indicates the raise control and red indicates lowering control. Release the cords to stop the hoist. Refer to Figure 4-2 below.



- 4.3.4 **⚠ CAUTION** Make sure the motor completely stops before reversing direction.

4.4 Adjusting the Controls

- 4.4.1 For pendant control, the speed can be adjusted by the amount the lever is depressed. As shown below in Figure 4-3, by depressing the lever slightly, you will be able to control the hoist's motions slowly and with more precision. By depressing the lever further, the speed of the hoist will be increased until the lever is fully depressed. Refer to Figure 4-3.
- 4.4.2 For the cord type control, adjust the speed by varying the amount of pull on the cord. Refer to Figure 4-3.



4.5 Speed Adjustment Controls

- 4.5.1 The hoist is equipped with speed adjustment controls. The controls allow the hoist lifting and lowering speeds to be reduced for those applications requiring slower speeds or better speed control. The speed adjustment controls are set for the highest speed from the factory. The speed adjustment controls are located on top of the valve section of the hoist as shown in Figure 4-4.
- 4.5.2 **⚠ CAUTION** The hoist must be stopped when adjusting the lifting and lowering speeds.
- 4.5.3 To reduce the lifting/lowering speeds remove the speed adjustment covers to gain access to the speed adjustment screws as shown in Figure 4-4. The covers may be plastic or aluminum. Viewed from the valve side of the hoist, the lowering adjustment screw is on the left and the lifting adjustment screw is on the right. The lifting and lowering adjustment mechanisms are not connected, allowing separate adjustments for lifting and lowering speeds.
- 4.5.4 Referring to Figure 4-4 the hoist is at the highest speed when the screw is in the “vertical” position and at the lowest speed when in the “horizontal” position. Speed adjustment can be made between these positions.

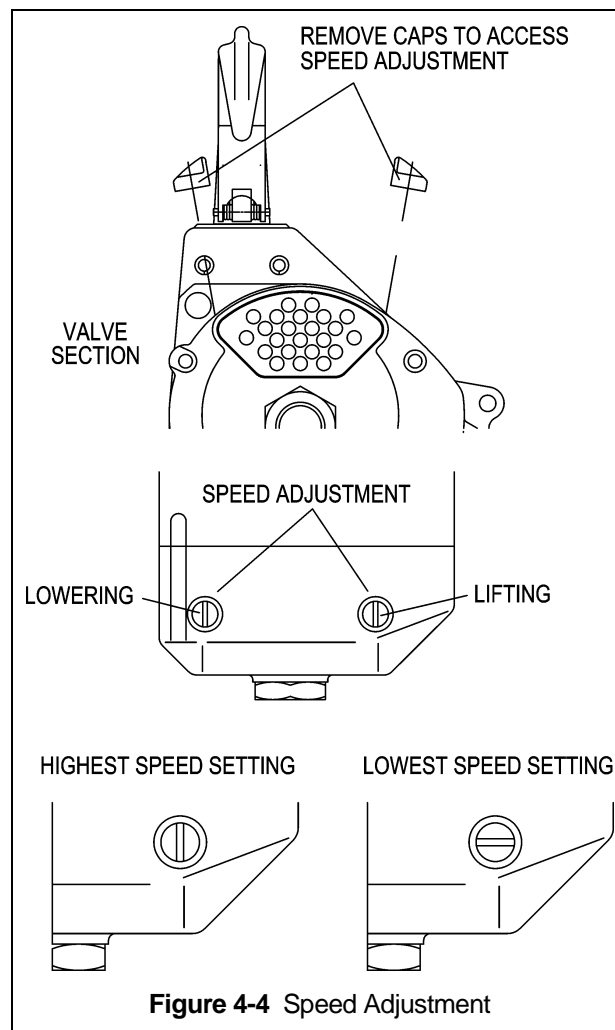
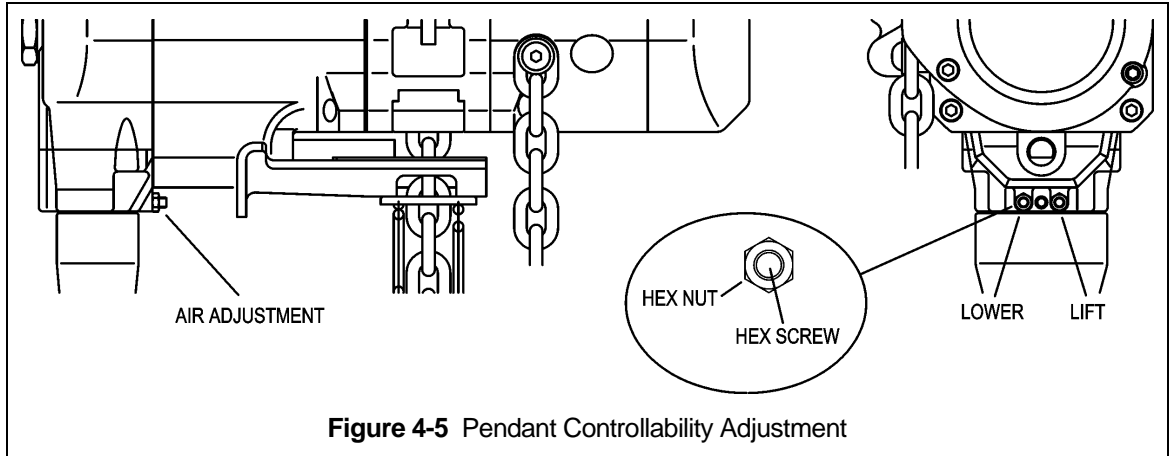


Figure 4-4 Speed Adjustment

4.6 Pendant Controllability Adjustment

- 4.6.1 The standard pendant hose length is 8.1 feet. For longer pendant hose lengths the speed controllability from the pendant may be diminished. Pendant hose length should not be more than 16.5 ft/5m. Consult Factory if longer lengths are needed. The reduction in speed control is a result of pressure loss due to the longer pendant hose. The pendant hose extension adjustment control provides a screw adjustment method to reduce the air pressure loss to provide normal pendant/hoist operation. The adjustment screw is set fully open from the factory for normal operation and to allow the fine feathering feature.
- 4.6.2 To adjust the pendant air pressure locate the hex nut and hex screw as shown in Figure 4-5. The adjustment screw on the left is for adjusting the lowering speed and the adjustment screw on the right is for adjusting the lifting speed.
- 4.6.3 Adjustment is accomplished by loosening the hex nut with a 2.5mm wrench and turning the hex head screw clockwise. Once correct operation is obtained securely tighten the hex nut.
- 4.6.4 **⚠ CAUTION** If the adjustment screw is tightened too tight the fine feathering feature will be reduced or lost.



5.0 Inspection

5.1 General

- 5.1.1 The inspection procedure herein is based on ANSI/ASME B30.16. The following definitions are from ANSI/ASME B30.16 and pertain to the inspection procedure below.
- **Designated Person** - a person selected or assigned as being competent to perform the specific duties to which he/she is assigned.
 - **Qualified Person** - a person who, by possession of a recognized degree or certificate of professional standing, or who, by extensive knowledge, training, and experience, has successfully demonstrated the ability to solve or resolve problems relating to the subject matter and work.

The inspection frequency is based on ANSI/ASME B30.16 and shall be determined by a qualified person based on the intended operation conditions and their effects on critical hoist components.

- **Normal Service** - that distributed service which involves operation with randomly distributed loads within the rated load limit, or uniform loads less than 65% of rated load for not more than 25% of the time.
- **Heavy Service** - that service which involves operation within the rated load limit which exceeds normal service.
- **Severe Service** - that service which involves normal or heavy service with abnormal operating conditions.

5.2 Inspection Classification

- 5.2.1 Initial Inspection - prior to initial use, all new, altered, or modified hoists shall be inspected by a designated person to ensure compliance with the applicable provisions of this manual.
- 5.2.2 Inspection Classification - the inspection procedure for hoists in regular service is divided into three general classifications based upon the intervals at which inspection should be performed. The intervals in turn are dependent upon the nature of the critical components of the hoist and the degree of their exposure to wear, deterioration, or malfunction. The three general classifications are herein designated as PREOPERATION, FREQUENT and PERIODIC, with respective intervals between inspections as defined below.
- 5.2.3 PREOPERATION Inspection - visual inspection with records not required, performed before the first use of each shift.
- 5.2.4 FREQUENT Inspection - visual examinations with records not required, by the operator or other designated personnel with intervals per the following criteria:
- Normal service - monthly
 - Heavy service - weekly to monthly
 - Severe service - daily to weekly
 - Special or infrequent service - as recommended by a qualified person before and after each occurrence.
- 5.2.5 PERIODIC Inspection - visual inspection with records of external conditions to provide the basis for a continuing evaluation. An external coded mark on the hoist is an acceptable identification in lieu of records. This inspection is to be performed by a designated person with intervals per the following criteria:
- Normal service - yearly

- Heavy service - semiannually
- Severe service - quarterly
- Special or infrequent service - as recommended by a qualified person before the first such occurrence and as directed by the qualified person for any subsequent occurrences.

5.3 Preoperation Inspection

5.3.1 The preoperational inspection shall be performed before the first use of each shift in accordance with Table 5-1, "Preoperation Inspection". Included in these PREOPERATION Inspections are visual observations of the hoist.

Table 5-1 Preoperational Inspection
All functional operating mechanisms for maladjustment and unusual sounds.
Operation of limit switch and associated components
Hooks for gross damage, that may be an immediate hazard
Hook latch operation
Load chain for gross damage, that may be an immediate hazard
Presence of Chain Down Stopper

5.4 Frequent Inspection

5.4.1 Inspections should be made on a FREQUENT basis in accordance with Table 5-2, "Frequent Inspection." Included in these FREQUENT Inspections are observations made during operation for any defects or damage that might appear between Periodic Inspections. Evaluation and resolution of the results of FREQUENT Inspections shall be made by a designated person such that the hoist is maintained in safe working condition.

Table 5-2 Frequent Inspection
All functional operating mechanisms for maladjustment and unusual sounds.
Operation of limit switch and associated components
Hoist braking system for proper operation
Air valves and components for leakage or damage
Hooks in accordance with ANSI/ASME B30.10
Hook latch operation
Load chain in accordance with Section 5.7
Load chain reeving for compliance with Section 3.13 and 7.2

5.5 Periodic Inspection

5.5.1 Inspections should be made on a PERIODIC basis in accordance with Table 5-3, "Periodic Inspection." Evaluation and resolution of the results of PERIODIC Inspections shall be made by a designated person such that the hoist is maintained in safe working condition.

- 5.5.2 For inspections where load suspension parts of the hoist are disassembled, a load test per ANSI/ASME B30.16 must be performed on the hoist after it is re-assembled and prior to its return to service.

Table 5-3 Periodic Inspection
Requirements of frequent inspection.
Evidence of loose bolts, nuts, or rivets.
Evidence of worn, corroded, cracked, or distorted parts such as load blocks, suspension housing, chain attachments, clevises, yokes, suspension bolts, shafts, gears, bearings and pins.
Evidence of damage to hook retaining nuts or collars and pins, and welds or rivets used to secure the retaining members.
Evidence of damage or excessive wear of load and idler sheaves.
Top Hook/Yoke Gap excessive wear
Evidence of excessive wear on motor vanes or on load brake.
Evidence of damage of supporting structure or trolley, if used.
Function labels on pendant control stations for legibility.
Warning label properly attached to the hoist and legible (see Section 1.2).
End connections of load chain, including presence of chain down stopper.

5.6 Occasionally Used Hoists

5.6.1 Hoists that are used infrequently shall be inspected as follows prior to placing in service:

- Hoist Idle More Than 1 Month, Less Than 1 Year: Inspect per FREQUENT Inspection criteria of Section 5.3 above.
- Hoist Idle More Than 1 Year: Inspect per PERIODIC Inspection criteria of Section 5.5 above.

5.7 Inspection Records

- 5.7.1 Dated inspection reports and records should be maintained at time intervals corresponding to those that apply for the hoist's PERIODIC interval per Section 5.2.5. These records should be stored where they are available to personnel involved with the inspection, maintenance, or operation of the hoist.
- 5.7.2 A long range chain inspection program should be established and should include records of examination of chains removed from service so a relationship can be established between visual observation and actual condition of the chain.

5.8 Inspection Methods and Criteria

- 5.8.1 This section covers the inspection of specific items. The list of items in this section is based on those listed in ANSI/ASME B30.16 for the Frequent and Periodic Inspection. In accordance with ANSI/ASME B30.16, these inspections are not intended to involve disassembly of the hoist. Rather, disassembly for further inspection would be required if frequent or periodic inspection results so indicate. Such disassembly and further inspection should only be performed by a qualified person trained in the disassembly and re-assembly of the hoist.

Table 5-4 Hoist Inspection Methods and Criteria

Item	Method	Criteria	Action
Functional operating mechanisms.	Visual, Auditory	Mechanisms should be properly adjusted and should not produce unusual sounds when operated.	Repair or replace as required.
Limit Lever	Function	Proper operation. Actuation of limit lever should stop hoist.	Repair or replace as required.
Chain Lever/Limit Lever Assembly	Visual, Function	Lever should not be bent or significantly worn and should be able to move freely.	Replace.
Braking System	Function	Braking distance should not exceed approximately five chain links.	Repair or replace as required.
Hooks - Surface Condition	Visual	Should be free of significant rust, weld splatter, deep nicks, or gouges.	Replace.
Hooks - Fretting wear	Measure	The "u" dimension should not be less than minimum value listed in Table 5-7.	Replace.
Hooks - Stretch	Measure	The "K" dimension should not exceed the maximum value for replacement from Table 5-7 (See Section 3.12).	Replace.
Hooks - Bent Shank or Neck	Visual	Shank and neck portions of hook should be free of deformations	Replace.
Hooks - Yoke Assembly	Visual	Should be free of significant rust, weld splatter, nicks, gouges. Holes should not be elongated, fasteners should not be loose, and there should be no gap between mating parts.	Clean/Lubricate, or replace as required.
Top Hook/Yoke Gap	Measure	Should not be less than the Minimum Value for Replacement listed in Table 5-8.	Replace Top Hook and Yoke.
Hooks - Swivel Bearing	Visual, Function	Bearing parts and surfaces should not show significant wear, and should be free of dirt, grime and deformations. Hook should rotate freely with no roughness.	Clean/lubricate, or replace as required.
Hooks - Idle Sheave and Axle (Bottom Hook on Double Fall Hoist)	Visual, Function	Pockets of Idle Sheave should be free of significant wear. Idle Sheave surfaces should be free of nicks, gouges, dirt and grime. Bearing parts and surfaces of Idle Sheave and Axle should not show significant wear. Idle Sheave should rotate freely with no roughness or significant free play.	Clean/lubricate, or replace as required.
Hooks - Hook Latches	Visual, Function	Latch should not be deformed. Attachment of latch to hook should not be loose. Latch spring should not be missing and should not be weak. Latch movement should not be stiff - when depressed and released latch should snap smartly to its closed position.	Replace.

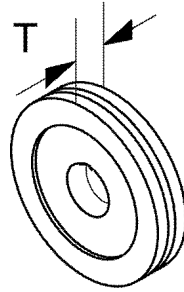
Table 5-4 Hoist Inspection Methods and Criteria

Item	Method	Criteria	Action
Load Chain - Surface Condition	Visual	Should be free of rust, nicks, gouges, dents, and weld splatter. Links should not be deformed, and should not show signs of abrasion. Surfaces where links bear on one another should be free of significant wear.	Replace.
Load Chain - Pitch and Wire Diameter	Measure	The "P" dimension should not be greater than discard value listed in Table 5-9. The "d" dimension should not be less than discard value listed in Table 5-9.	Replace. Inspect Load Sheave (and Idle Sheave for multiple fall hoists).
Load Chain - Lubrication	Visual, Auditory	Entire surface of each chain link should be coated with lubricant and should be free of dirt and grime. Chain should not emit cracking noise when hoisting a load. Maintaining proper load chain lubrication is critical to the operation of hoists with hoists that experience frequent wash downs. Failure to keep the chain lubricated will significantly decrease its life.	Clean/lubricate (see Sections 6.0).
Load Chain - Reeving	Visual	Chain should be reeved properly through Load Sheave (and Idle Sheave for double fall hoist) - refer to Section 3.13. Chain should be installed properly, including chain down stopper - refer to Section 7.2.	Reeve/Install chain properly. Insure presence of chain down stopper.
Chain Container	Visual	For hoists being used in moist environments, check for water accumulation in the chain container. Moisture can remove lubrication from the load chain and accelerate wear and corrosion of the load chain.	Clean/lubricate (see Section 6.0).
Chain Spring -	Visual	Chain springs should not be deformed or compressed.	Replace
Bolts, Nuts and Rivets	Visual, Check with Proper Tool	Bolts, nuts and rivets should not be loose.	Tighten or replace as required.
Housing and Mechanical Components	Visual, Auditory, Vibration, Function	Hoist components including load blocks, suspension housing, chain attachments, clevises, yokes, suspension bolts, shafts, gears, bearings, pins and rollers should be free of cracks, distortion, significant wear and corrosion. Evidence of same can be detected visually or via detection of unusual sounds or vibration during operation.	Replace
Chain Separator	Visual, Measure	The Chain Separator should be free of cracks, distortion and significant wear and corrosion. The "L" and "W" dimension should not be greater than maximum value listed in Table 5-6.	Replace

Table 5-4 Hoist Inspection Methods and Criteria			
Item	Method	Criteria	Action
Motor Brake	Measure, Visual	Motor brake dimension should be within the allowable limits of Table 5-5. See Section 7.1 for gaining access to motor brake. Braking surfaces should be clean, free of grease/oil and should not be glazed.	Replace
Load Sheave	Visual	Pockets of Load Sheave should be free of significant wear. See Section 7.5 to gain visual access to the load sheave.	Replace.
Pendant Control Levers	Visual, Function	Depressing and releasing pendant control levers should cause hoist to operate.	Repair or replace as necessary.

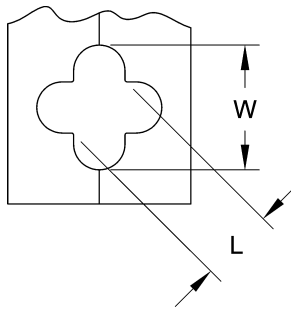
Table 5-4 Hoist Inspection Methods and Criteria			
Item	Method	Criteria	Action
Pendant - Housing	Visual	Pendant housing should be free of cracks and mating surfaces of parts should seal without gaps.	Replace.
Pendant - Tubing	Visual, auditory	Tubing to pendant control switches should not be loose or be leaking air.	Repair or replace as necessary.
Pendant - Labels	Visual	Labels denoting functions should be legible.	Replace.
Warning Labels	Visual	Warning Labels should be affixed to the hoist (see Section 1.2) and they should be legible.	Replace
Hoist Capacity Label	Visual	The label that indicates the capacity of the hoist should be legible and securely attached to the hoist.	Replace.

Table 5-5 Brake Disc Dimension



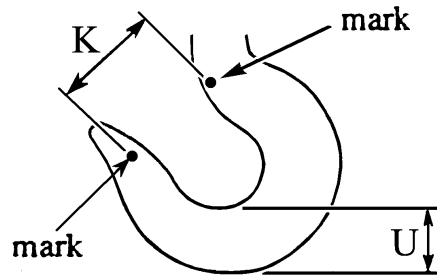
Hoists	Parts View Figure No.	Std Dimension Inch (mm)	Minimum Value for Replacement Inch (mm)
TCW500C/P TCW1000C2/P2	152	T = 0.31 (8)	T = 0.29 (7.3)

Table 5-6 Chain Separator Dimensions



Hoists	Parts View Figure No.	Std Dimension Inch (mm)	Maximum Value for Replacement Inch (mm)
TCW500C/P TCW1000C2/P2	104	L = 0.51 (13) W = 0.95 (24)	L = 0.63 (16) W = 1.04 (26.5)

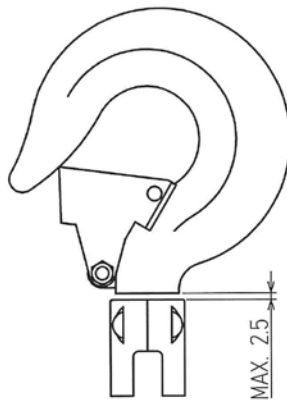
Table 5-7 Top Hook & Bottom Hook Dimensions



Dimensions K and U should be measured and recorded below prior to any use when the hook is first placed into service.

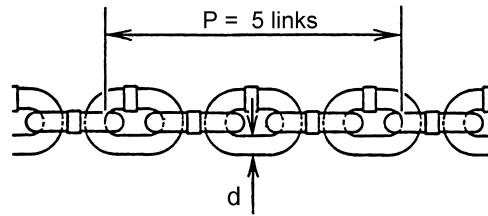
Hoists	Parts View Figure No.	Recorded Dimension When New	Maximum/Minimum Value for Replacement
TCW500C/P	2-1	Top Hook K = _____ Top Hook U = _____	For K if the measured dimension exceeds 1.05 times the recorded new dimension, the hook should be replaced. For U if the measured dimension is less than .9 times the recorded new dimension, the hook should be replaced.
	2-1	Bottom Hook K = _____ Bottom Hook U = _____	
TCW1000C2/P2	2-2	Top Hook K = _____ Top Hook U = _____	
	2-2	Bottom Hook K = _____ Bottom Hook U = _____	

Table 5-8 Top Hook/Yoke Gap Wear Limit Dimension



Capacity Code	Parts View Item No.	Minimum Value for Replacement Inch (mm)
TCW500C/P TCW1000C2/P2	140A	0.1 inch (7/64)/2.5mm.

Table 5-9 Chain Dimensions



Product Code	Parts View Figure No.	"P" Dimension inch (mm)		"d" Dimension inch (mm)	
		Standard	Discard	Standard	Discard
TCW500C/P TCW1000C2/P2	114	3.76 (95.5)	3.82 (96.9)	0.25 (6.3)	0.22 (5.7)

6.0 Lubrication

6.1 Air Hoist Lubrication

6.1.1 This hoist is equipped with a lube-free vane motor that does not require lubrication of the supply air for operation. However, if the hoist supply air is lubricated, there is no disadvantage. See Section 3.0 for lubrication requirements

6.1.2 **⚠ CAUTION** Lubrication to the motor will be provided primarily by the air supply lubricator. The recommended amount is 10-15 drops/minute (0.2-0.3 cc/min). Refer to Table 6-2 below for the approved lubricant for use with your air hoist.

6.1.3 Additional lubrication to the reduction gears is not necessary. When disassembling the hoist for service or repair, apply new grease to the gears before reassembling the hoist.

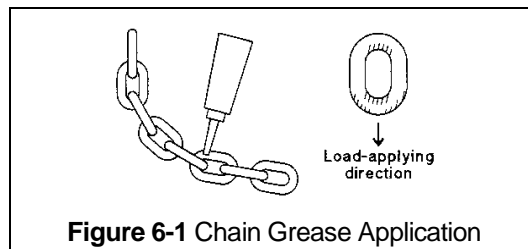
6.2 Load Chain Lubrication

6.2.1 For longer life, the load chain should be lubricated.

6.2.2 The load chain lubrication should be accomplished after cleaning the load chain with an acid free cleaning solution.

6.2.3 Verify that the load chain is properly lubricated after each wash down.

6.2.4 For longer life, regularly lubricate the load chain in an unloaded condition with food grade H-1 grease Sumitomo White Lube Spray (Part No. 2AFG003S1951) or equivalent. Ensure that the oil is applied to the bearing surfaces of the load chain links as indicated by the shaded areas in Figure 6-2. Also apply the grease to the areas of the load chain (shaded areas in Figure 6-2) that contact the load sheave. Ensure that the grease is applied to the contact areas in the load sheave pockets.



6.2.5 The chain should be lubricated every 3 months **or after every wash down** (more frequently for heavier usage or severe conditions).

6.2.6 **If using optional stainless steel chain, the chain should be lubricated more frequently.**

6.2.7 For dusty environments, it is acceptable to substitute a dry lubricant.

6.3 Hooks and Suspension Components

- 6.3.1 Hooks - Bearings should be cleaned and lubricated at least once per year for normal usage. Clean and lubricate more frequently for heavier usage or severe conditions.
- 6.3.2 Suspension Pins - Lubricate at least twice per year for normal usage; more frequently for heavier usage or severe conditions. Greases below should be FG #s?

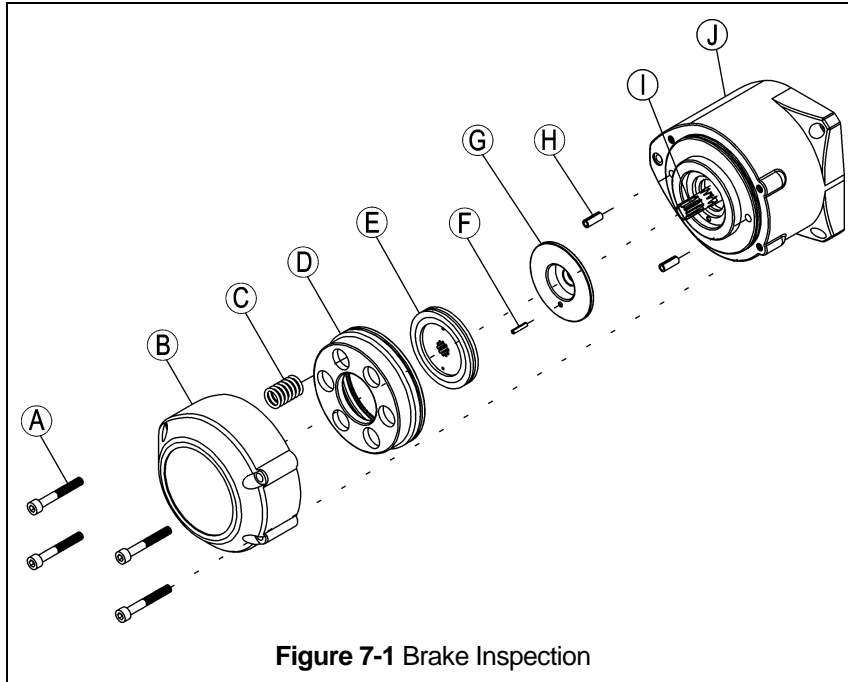
Table 6-2 Table of Approved Lubricants			
Application	Part Location	Lubrication	Grade
Air motor	Lubricator	Turbine Oil	ISO VG 32-56 or equivalent
Load chain & pocket wheel	Load Chain	Grease, Machine or gear oil	- HHI Chain Grease P/N ER1BS1551 - NLGI No. 0 - ISO VG 46-68 or equivalent
Hook bearings & suspension pins	Top & Bottom hook sets	Grease	National Lubricating Grease #3
Gears and Bearings	Gear Section	Grease	National Lubricating Grease #2

7.0 Maintenance and Handling

7.1 Brake

- 7.1.1 The hoist brake is not adjustable.
- 7.1.2 Inspect the brake disc in accordance with Section 5.8, Table 5-5.
- 7.1.3 The following is the hoist brake inspection procedure. Refer to Figure 7-1.

- 1) **⚠ WARNING** HAZARDOUS AIR PRESSURE IS PRESENT IN THE HOIST, IN THE SUPPLY OF COMPRESSED AIR TO THE HOIST, AND IN THE CONNECTIONS BETWEEN COMPONENTS. Shut off the air supply and stop the airflow completely. Lock out and tag out in accordance with ANSI Z244.1 "Personnel Protection -Lockout/Tagout of Energy Sources".
- 2) Gradually and evenly back out 4 Hex Socket Cap Screws (A) from Brake Cover (B) from Gear Case (J) to slowly decrease spring tension (C) of Brake Piston (D) against Brake Disc (E).
- 3) Remove Brake Cover (B), Brake Piston (D), Springs (C), and O-Rings from Gear Case (J). Set parts aside for reassembly.
- 4) Remove Brake Disc for inspection and measurement. Refer to "Motor Brake" in Table 5-5, "Hoist Inspection Methods and Criteria".
- 5) Prior to reassembly, clean all surfaces of debris, dirt and loose paint. Apply a light film of grease to all O-Ring seals.
- 6) Reassemble in reverse order. Torque all mounting hardware evenly during the reassembly process.



7.2 Load Chain

7.2.1 Lubrication and Cleaning – Refer to Section 6.2.

7.2.2 Replacement

- 1) **⚠ CAUTION** An air supply line must be connected to the hoist in order to perform the following procedures.
- 7) **⚠ WARNING** Be certain that the replacement chain is obtained from Harrington and is the exact size, grade and construction as the original chain. The new load chain must have an even number of links so that the end links are oriented 90° from each other.
- 8) Remove the Bottom Hook Complete Set and Button Head Screw connecting the no-load end of the chain to the hoist body. Keep the Bottom Hook Complete Set and Button Head Screw for reuse on new chain. Carefully operate the hoist in the down direction to remove old chain.
- 9) **⚠ CAUTION** When replacing load chain, check for wear on mating parts, i.e. Load Sheave, Chain Guides, Bottom Hook Complete Set and replace parts if necessary. If the load chain is being replaced due to damage or wear out, destroy the old chain to prevent its reuse.
- 10) **⚠ CAUTION** Invert the hoist such that the chain separator openings are facing up and tilt the hoist approximately 30° as shown in Figure 7-3. Insert the chain into the chain separator on the no-load side opening making certain that the first link is a standing link and that its weld is facing away from the centerline of the hoist.
- 11) **⚠ CAUTION** Operate the hoist as slowly as possible in the down direction to catch the Load Chain and pull it through the hoist. Make sure the chain feeds smoothly while operating the hoist. If binding occurs, stop and reverse the hoist direction to back the chain out. Reinsert the chain again while gradually operating hoist controls. Continue until a sufficient quantity of Chain is fed through the hoist to attach the Bottom Hook Complete Set.
- 12) Ensure that the Chain remains free of twists and attach the no-load end of the chain to the hoist body with the Flat Washer and Button Head Screw. Reinstall the Bottom Hook Complete Set. Torque the Button Head Screw to 78 lbf-in. Refer to Figure 7-4 and Figure 7-5. Install chain down stopper on the second link from the no-load end. Refer to Figure 7-2, below.

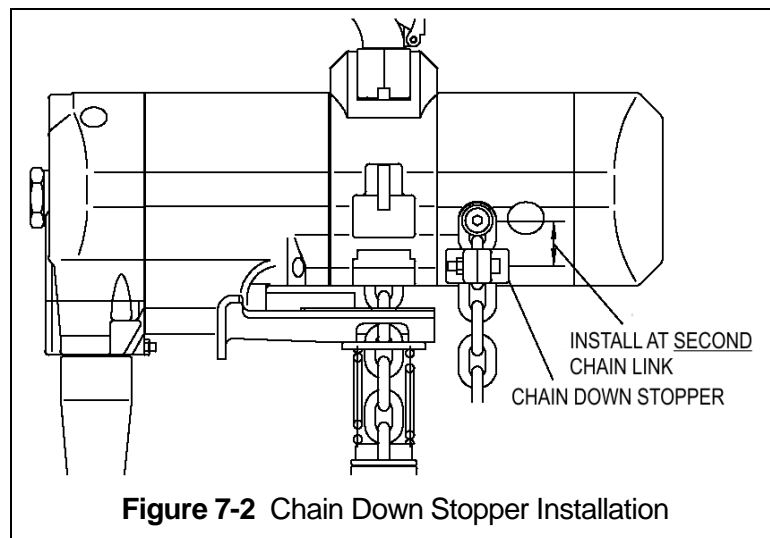
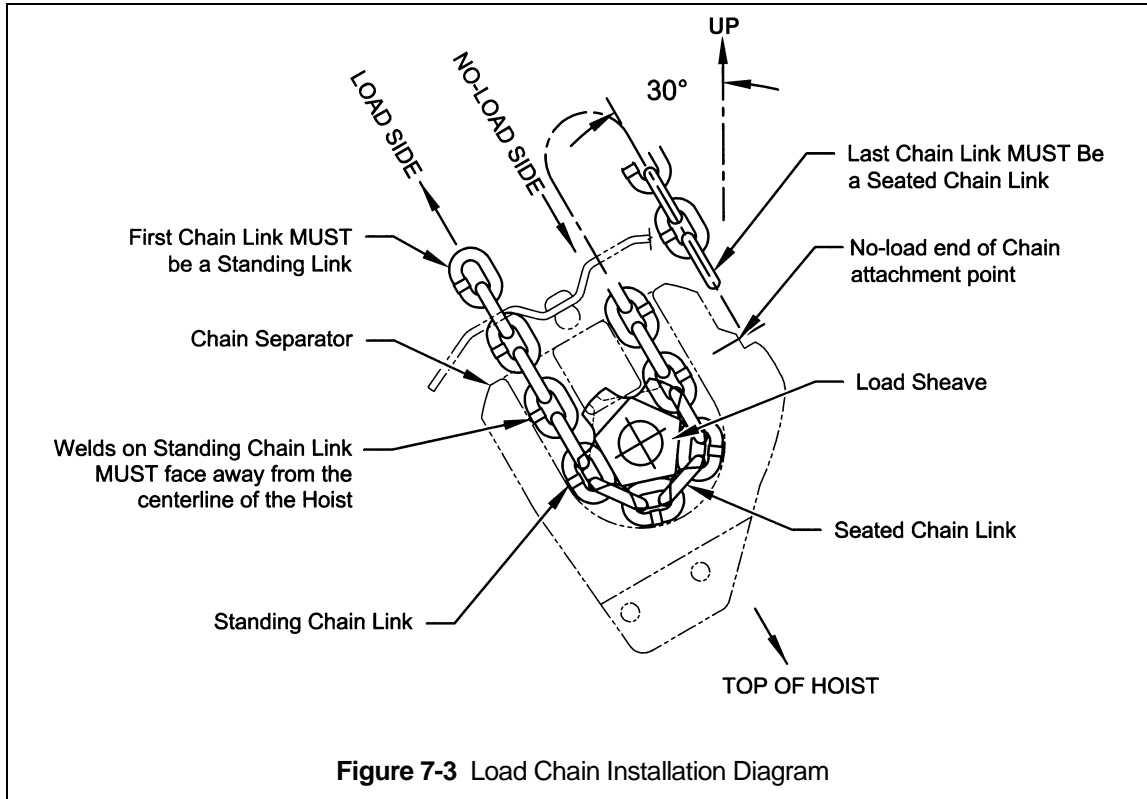


Figure 7-2 Chain Down Stopper Installation

13) After installation has been completed, perform steps outlined in Section 3.13 "Preoperational Checks and Trial Operation".



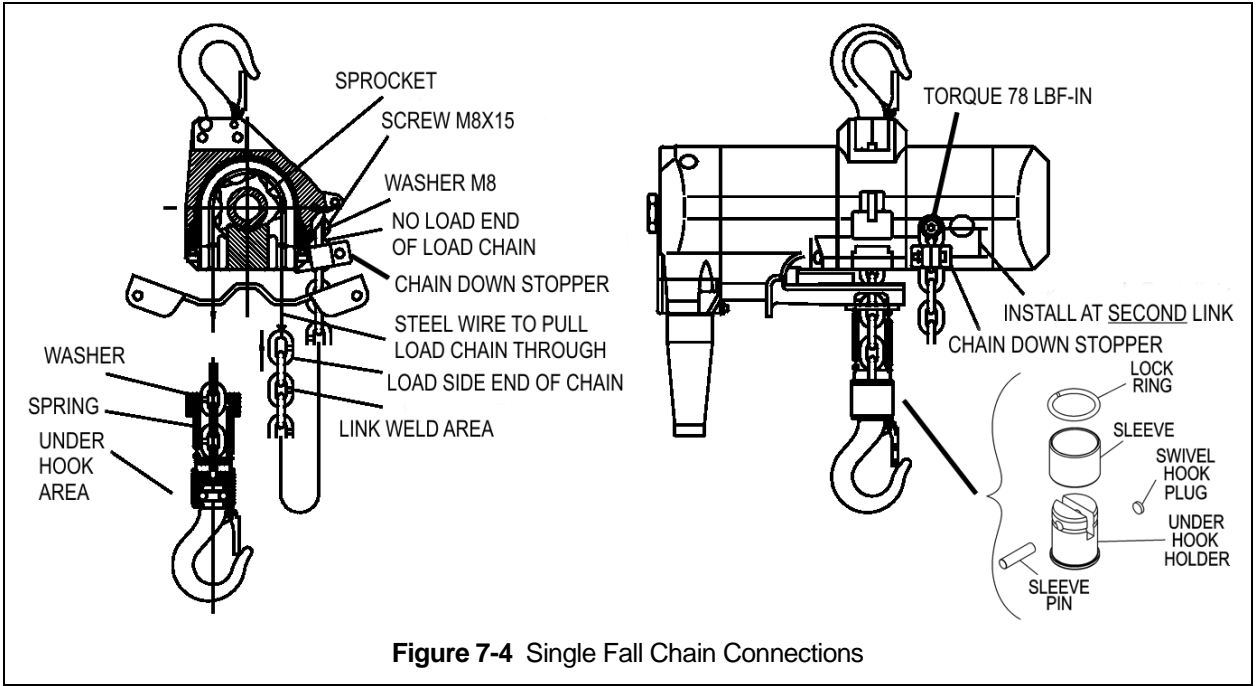


Figure 7-4 Single Fall Chain Connections

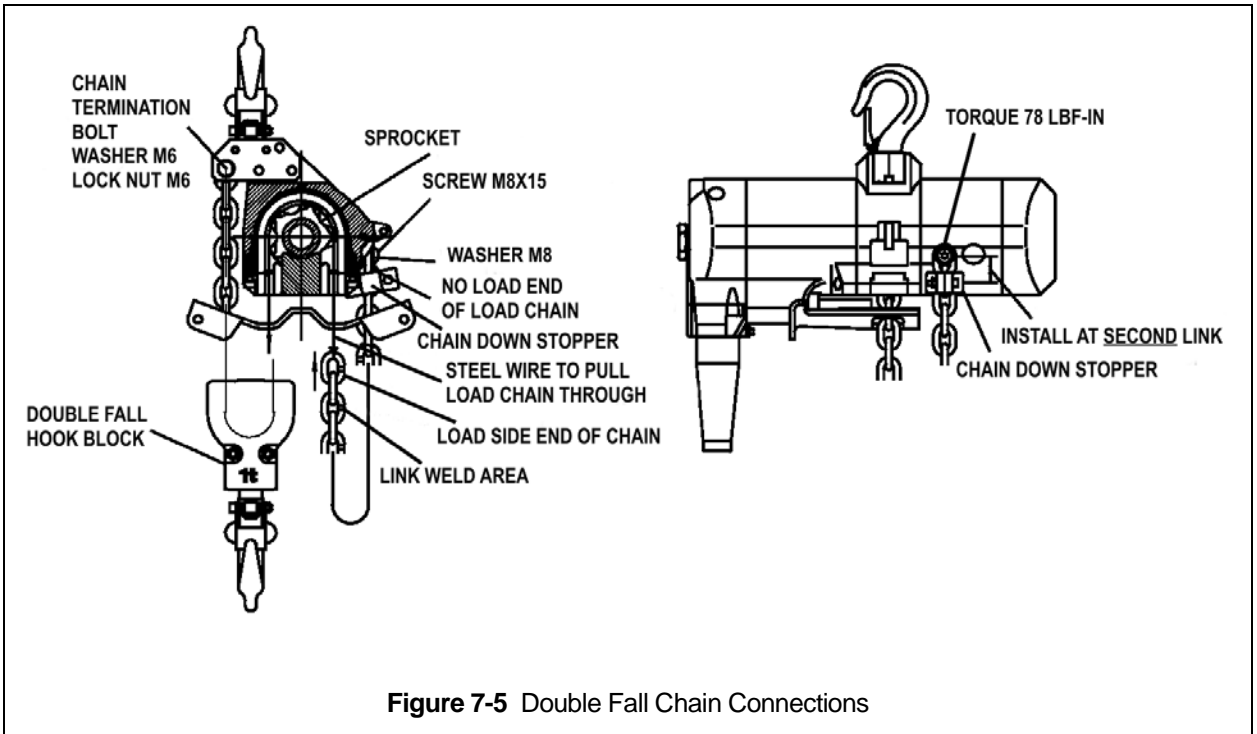


Figure 7-5 Double Fall Chain Connections

7.3 Pendant

7.3.1 The following procedure covers the installation of the Pendant Hose (Parts List Figure Number 360) and the Pendant Valve. Refer to Figure 7-6.

- 1) Place boot on the ends of the Pendant Hoses to be attached to the Manifold Block on the hoist.
- 2) Attach pendant hose to hoist body using the one-piece fittings and screw type clamps (hose bands).
- 3) Attach pendant hoses to the pendant valve using the 2 piece fittings and crimp type hose clamps (hose bands). Refer to Figure 7-6 for the correct placement of the Hoses.
- 4) Attach the Strain Relief wire S-Hook on the Pendant Valve and Manifold Block using the S-Hook.
- 5) Slide the Boot in to place over the Hose Fittings at the Manifold Block on the hoist.
- 6) **⚠ CAUTION** Operate hoist and make sure the direction of hook travel agrees with the control levers on the Pendant Valve.

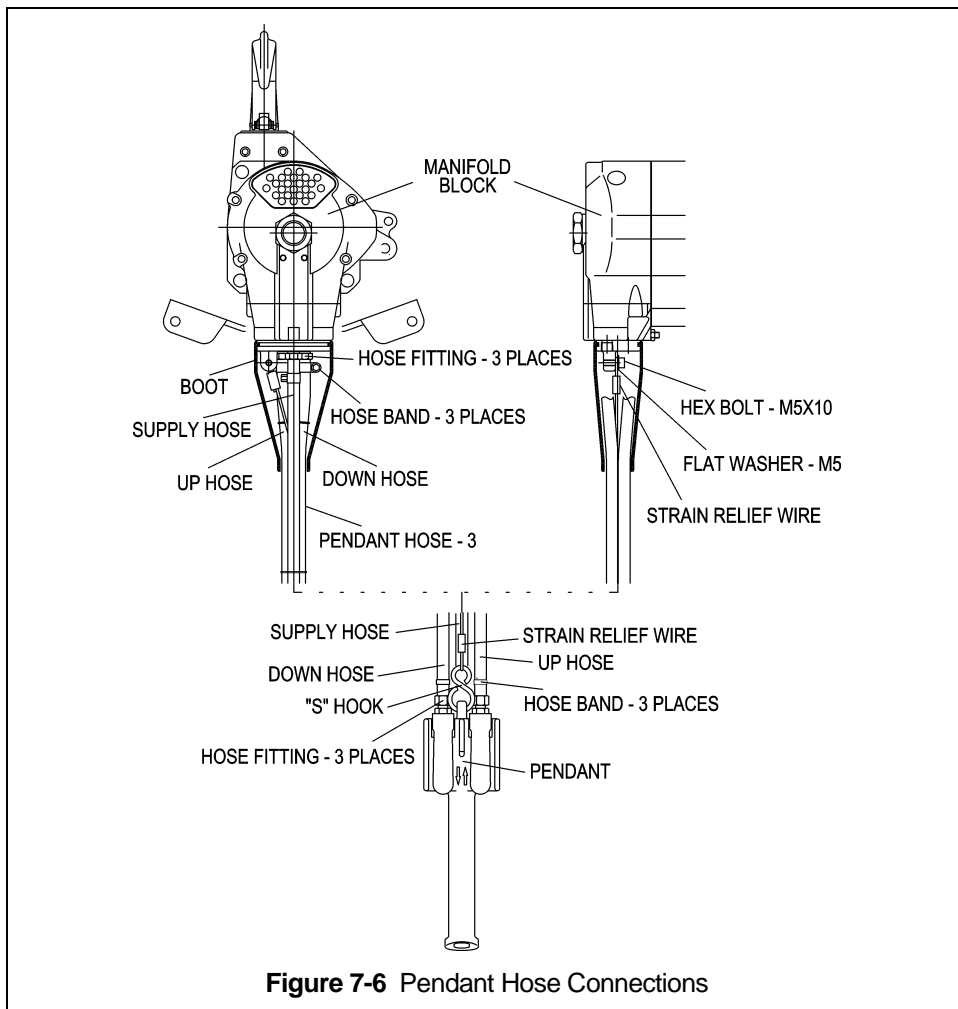
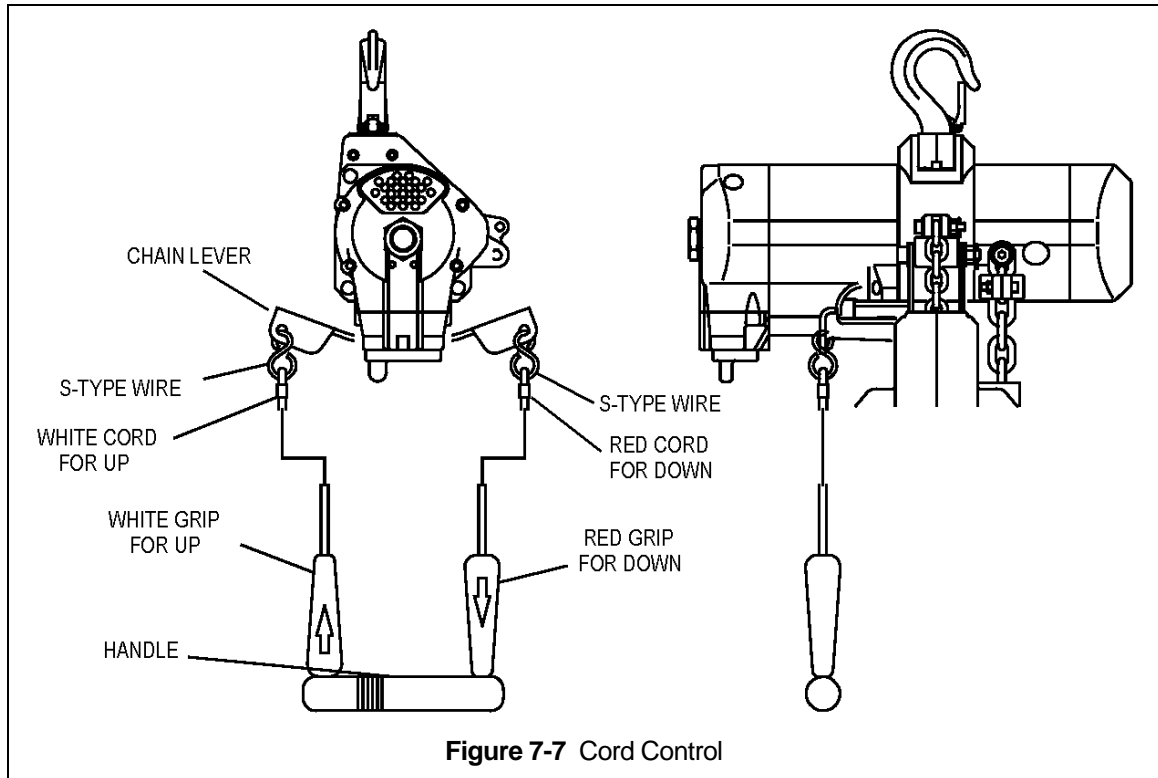


Figure 7-6 Pendant Hose Connections

7.4 Pull Cord

7.4.1 The following procedure covers the installation of the Pull Cord (Parts List Figure Number 401) and the Handles. Refer to Figure 7-7.

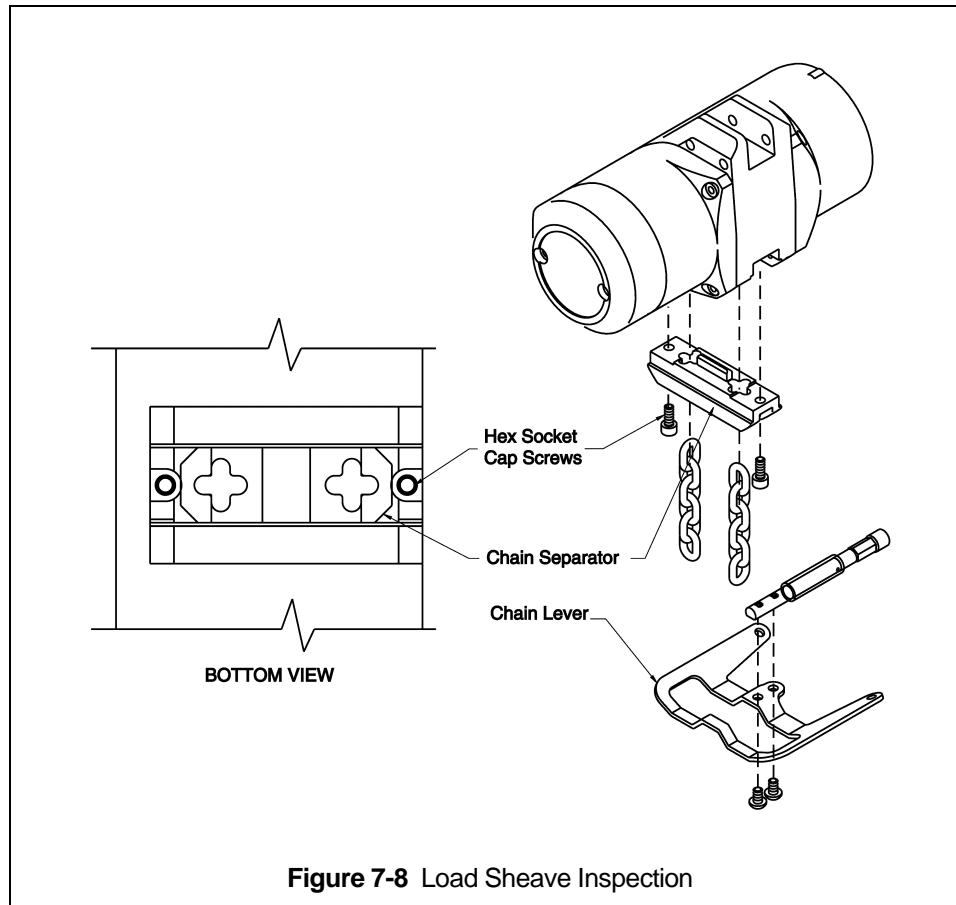
- 1) Lever that is attached to the Limit Shaft on the hoist. Insure the WHITE Handle is attached to the UP Chain Lever side and the RED Handle is attached to the DOWN Chain Lever side.
- 2) **⚠ CAUTION** Operate hoist and make sure the direction of hook travel agrees with the Chain Lever direction.



7.5 Load Sheave Inspection

7.5.1 Perform this inspection by removing the chain separator and viewing the load sheave while operating the hoist slowly, with no load, and in accordance with Section 4 "Operation". Refer to Figure 7-8 and remove the chain separator as follows:

- 1) **⚠ CAUTION** An air supply line must be connected to the hoist in order to perform the following procedures.
- 2) Remove 2 Socket Bolts attaching the Chain Separator to the Wheel Housing and drop the Chain Separator down.
- 3) Inspect the Load Sheave. Refer to "Load Sheave" in Table 5-3, "Hoist Inspection Methods and Criteria".
- 4) Reverse the procedure to reassemble the hoist.



7.6 Storage

- 7.6.1 Whenever the hoist is to be placed into storage, place extra, at least 3cc, lubricating oil into the air inlet opening and circulate the air motor before plugging the inlet. Make certain that no debris, dirt or moisture is allowed to enter the air hoist through air inlet opening during preparations for storage.
- 7.6.2 The storage location should be clean and dry.
- 7.6.3 Care should be take to not damage any of the air hoses, fittings and cords.

7.7 Outdoor Installation

- 7.5.1 For hoist installations that are outdoors, the hoist should be covered and protected from the weather at all times.
- 7.5.2 Avoid hoist oxidation by using suitable treatment and lubricating all mechanisms.
- 7.5.3 Possibility of corrosion on components of the hoist increases for installations where salt air and high humidity are present. The hoist may require more frequent lubrication.
- 7.5.4 In order to prevent internal corrosion from occurring, the hoist must be operated using proper quality air at least once per week by raising and lowering the hoist one full cycle. Make frequent and regular inspections of the unit's condition and operation.

- 7.5.5 Note: the possibility of corrosion in the valve section of the hoist increases for areas where salt air and high humidity are present. For such situations you may need to operate your hoist more often than once per week.
- 7.5.6 For hoist installations where temperature variations introduce condensation into the hoist additional inspection and more frequent lubrication may be required.

7.8 Operational Environment

7.8.1 Non-conforming environment

A non-conforming environment is defined as one with any or all of the following.

- Explosive gases or vapor.
- Organic solvents or volatile powder
- Excessive amounts of powder and dust of general substances
- Excessive amount of acids or salts.
- Refer to **Section 2.1.2** for allowable environmental conditions.

8.0 Troubleshooting

WARNING

HAZARDOUS AIR PRESSURE IS PRESENT IN THE HOIST, IN THE SUPPLY OF COMPRESSED AIR TO THE HOIST, AND IN CONNECTIONS BETWEEN COMPONENTS.

Before performing ANY maintenance on the equipment, de-energize the supply of compressed air to the equipment, and lock and tag the supply device in the de-energized position. Refer to ANSI Z244.1, "Personnel Protection - Lockout/Tagout of Energy Sources."

Only Trained and competent personnel should inspect and repair this equipment.

Table 8-1 Troubleshooting Guide

Symptom	Cause	Remedy
Does not operate	Lack of air volume, pressure or loss of air supply.	Repair or adjust air supply or filters.
	Seizure of Main Spool, Brake Spool, or Air Motor.	Repair at service facility.
	Seizure of brake or brake mechanism fails to release.	Repair at service facility.
	Bending or crimping of pendant control hose(s)	Correct or repair the bend or crimp in control hose(s)
	Hoist is overloaded.	Reduce the load to the rated capacity of hoist.
Lifting speed is slow	Low air volume or pressure at hoist inlet port.	Repair or adjust air supply or filters. Check for air line obstruction.
	Air supply hose or piping is too small.	Replace hose or piping sizes with recommended sizes in Section 3.0.
	Malfunction of brake.	Repair at service facility.
	Bending or crimping of pendant control hose(s)	Correct or repair the bend or crimp in control hose(s)
	Exhaust Silencer clogged	Clean or replace.
	Air flow capacity of compressed air system insufficient	Increase air flow capacity of compressed air system to requirements in Section 2.0.
	Air motor vanes or bearings worn	Repair at service facility.
	Air supply to hoist contains dirt or debris	Filter the air supply to the hoist in accordance with the requirements in Section 3.0.
Unable to lift rated load	Lack of air volume, pressure or loss of air supply.	Repair or adjust air supply or filters.
Hoist moving in wrong direction (pendant control)	Pendant control hoses are terminated to incorrect ports on hoist body.	Connect the control tubes in accordance with Section 7.3.

Table 8-1 Troubleshooting Guide (continued)		
Symptom	Cause	Remedy
Hoist lowers but will not lift	Hoist is overloaded.	Reduce load to hoist rated capacity.
	Faulty pendant control or control hose(s)	Repair or replace pendant control or control hose(s)
	Lack of air pressure or partial loss of or leakage in air supply.	Repair or adjust air supply or filters.
Hoist continues running after pendant or cord is released	Control Valves	If spool sticks, repair at service facility.
	Valve in Pendant Handle stuck	Repair at service facility
Hoist drifts excessively when hoist is stopped	Brake is not holding.	Repair brake at service facility.

9.0 Warranty

All products sold by Harrington Hoists, Inc. are warranted to be free from defects in material and workmanship from date of shipment by Harrington for the following periods:

- 1 year – Electric and Air Powered Hoists (excluding (N)ER2 Enhanced Features Models and EQ/SEQ Hoists), Powered Trolleys, Powered Tiger Track Jibs and Gantries, Crane Components, Spare / Replacement Parts, Below-The-Hook and Material Handling Equipment**
- 2 years – Manual Hoists & Trolleys, Beam Clamps**
- 3 years – (N)ER2 Enhanced Features Model Hoists, EQ/SEQ Hoists, RY Wire Rope Trolley Hoists**
- 5 years – Manual Tiger Track Jibs and Gantries, TNER, EQ/SEQ and RY Motor Brake**
- 10 years – (N)ER2 “The Guardian” Smart Brake**

The product must be used in accordance with manufacturer’s recommendations and must not have been subject to abuse, lack of maintenance, misuse, negligence, or unauthorized repairs or alterations.

Should any defect in material or workmanship occur during the above time period in any product, as determined by Harrington Hoist’s inspection of the product, Harrington Hoists, Inc. agrees, at its discretion, either to replace (not including installation) or repair the part or product free of charge and deliver said item F.O.B. Harrington Hoists, Inc. place of business to customer.

Customer must obtain a Return Goods Authorization as directed by Harrington or Harrington’s published repair center prior to shipping product for warranty evaluation. An explanation of the complaint must accompany the product. Product must be returned freight prepaid. Upon repair, the product will be covered for the remainder of the original warranty period. Replacement parts installed after the original warranty period will only be eligible for replacement (not including installation) for a period of one year from the installation date. If it is determined there is no defect, or that the defect resulted from causes not within the scope of Harrington’s warranty, the customer will be responsible for the costs of returning the product.

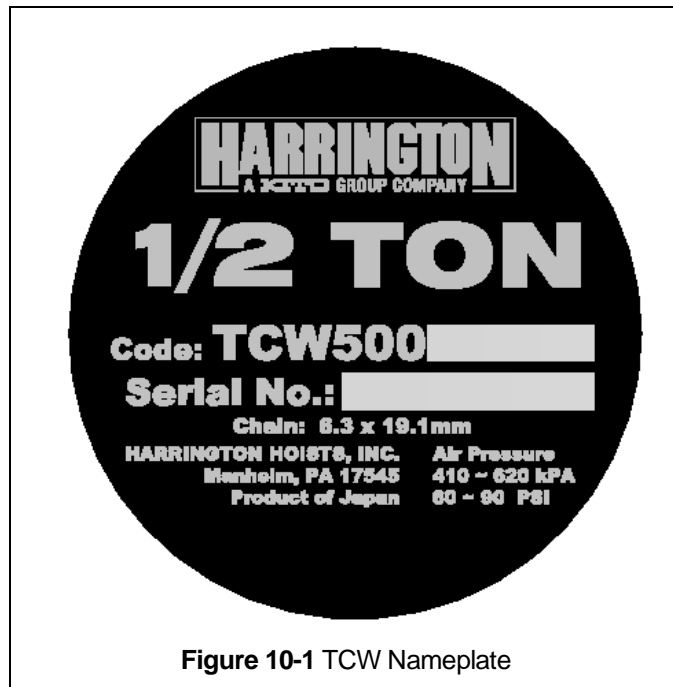
Harrington Hoists, Inc. disclaims any and all other warranties of any kind expressed or implied as to the product’s merchantability or fitness for a particular application. Harrington will not be liable for death, injuries to persons or property or for incidental, contingent, special or consequential damages, loss or expense arising in connection with the use or inability whatever, regardless of whether damage, loss or expense results from any act or failure to act by Harrington, whether negligent or willful, or from any other reason.

10.0 Parts Information

A complete parts list is available from Harrington Hoists and is supplied separately with your hoist. The parts list is also available from Harrington's web site (www.harringtonhoists.com) or from any Harrington facility (see back cover of this manual).

When ordering Parts, please provide the Hoist code number located on the Hoist nameplate (see Figure 10-1 below).

Reminder: Per Sections 3.13.8 and 1.1 to aid in ordering Parts and Product Support, record the Hoist code number and serial number in the space provided on the cover of this manual.



The parts list is arranged into the following sections:

Section	Page
10.1 Motor, Valve Body and Controls.....	52
10.2 Brake, Gears and Load Suspension Components.....	56
10.3 Rebuild Kits.....	58
10.4 Chain Container Assembly.....	59

10.1 Motor, Valve Body and Controls

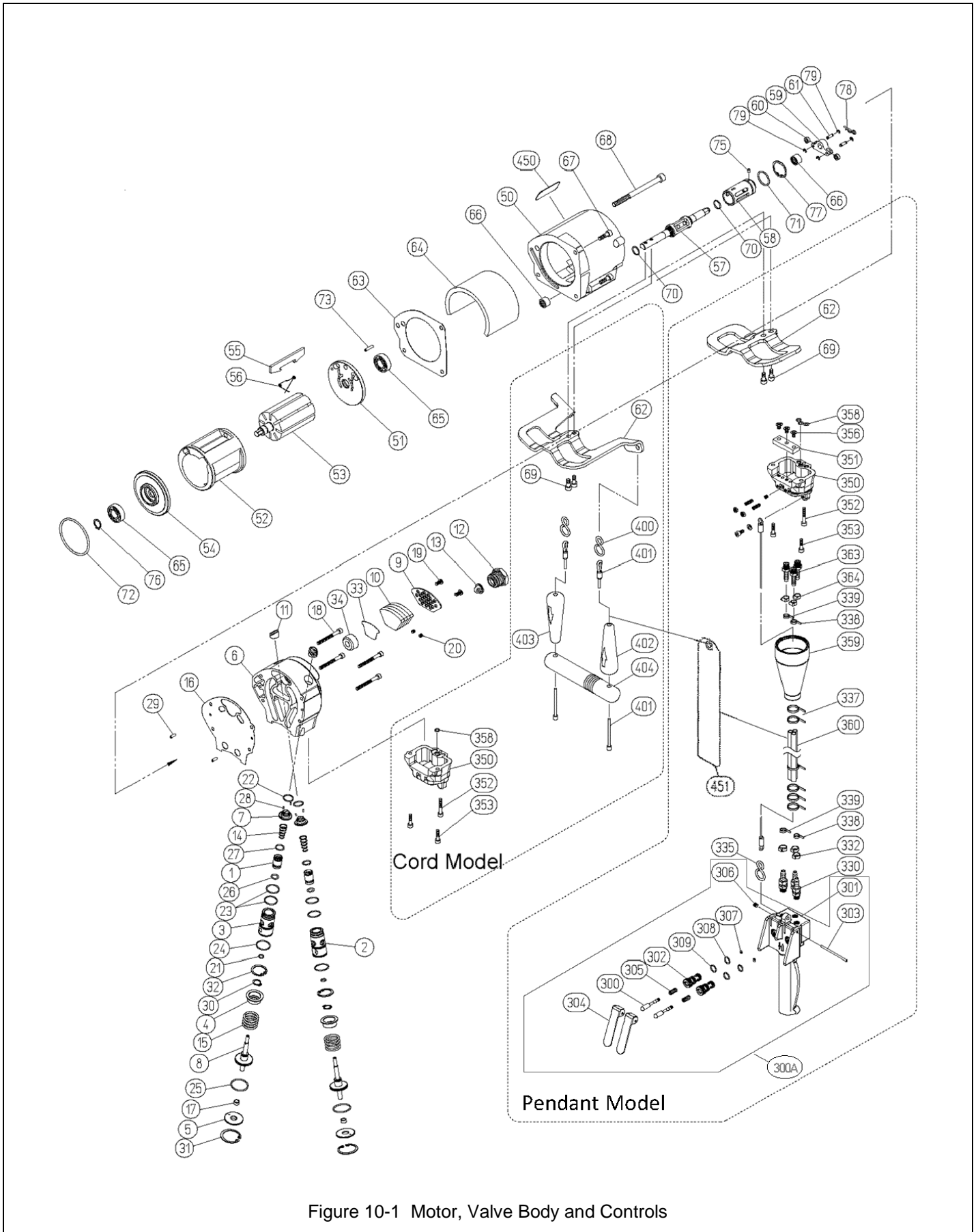


Figure 10-1 Motor, Valve Body and Controls

10.1 Motor, Valve Body and Controls

Figure Number	Name	Parts per hoist	Part Number	
1	Throttle Valve	2	AH420215VB0	
2	Valve Bushing (Up)	1	TCS426230E90	
3	Valve Bushing (Down)	1	TCS426230F00	
4	Spring Seat	2	TCS426230C70	
5	Valve Cap	2	TCS426230A20	
6	Valve Body	1	TCW425832060	
7	Bush Cap	2	TCS426230A30	
8	Piston	2	TCS426230C60	
9	Exhaust Plate	1	TCW425832810	
10	Silencer (S)	4	TCS137402023	
11	Adjust Cap	2	TCS426230A10	
12	Inlet Bushing	1	TCW134703110	
13	Screen	1	TCR136803032	
14	Valve Spring	2	TCS130802221	
15	Spring (26X20X2.6)	2	TCS130802224	
16	Valve Gasket	1	TCS136102165	
17	Bushing	2	TCS130219705	
18	Socket Bolt (HSHCS M5X50)	4	9091235	
19	Button-Head Screw (M5X10)	2	AH131905010	
20	Set Screw (HSSetS M5X5)	2	TCR132105005	
21	O-Ring (S-7)	2	TCR131103005	
22	O-Ring (S-15)	2	AH131103013	
23	O-Ring (S-20)	4	AH131103016	
24	O-Ring (S-22)	2	AH131103017	
25	O-Ring (AS568-023)	2	TCS131117023	
26	O-Ring (AS568-012 HS90)	2	AH131118012	
27	O-Ring (S-12.5)	2	TCS131103011	
28	Spring Pin (2X4)	4	9148101	
29	Spring Pin (4X10)	2	TCR130604010	
30	Retaining Ring (S-12)	2	9047112	
31	Retaining Ring (H-32)	2	9047232	
32	Retaining Ring (H-25)	2	9047225	
33	Silencer (ST)	1	TCS137402067	
34	Choke Plug	1	TCS425838P70	
50	Motor Case	1	TCW425832790	
51	Rear Plate	1	TCS426230180	
52	Cylinder	1	TCS426230160	
53	Rotor	1	TCS426230150	
54	Front Plate	1	TCS426230170	
55	Vane	8	TCS137102035	
56	Lift Spring	8	TCR130802235	
57	Limit Shaft	1	TCS426230460	
58	Limit Shaft Bushing	1	TCS426230A40	
59	Limit Lever	1	TCS426230140	
60	Bearing (MR104ZZ)	2	9001233	
61	Roller Shaft	2	TCS426230120	
62	Chain Lever	TCW500P	1	TCW425832110
		TCW500C	1	TCW425833110
		TCW1000C2/P2	1	TCW425834110
63	Motor Gasket	1	TCS136102166	
64	Silencer (M)	1	TCS137402024	
65	Bearing (6002)	2	9000102	
66	Needle Bearing (TLA1210)	2	TCS130151210	
67	Socket Bolt (HSHCS M6X20)	3	9091250	
68	Socket Bolt (HSHCS M8X110)	1	90912147	
69	Socket Bolt (HSHCS M6X14)	2	9091248	
70	O-Ring (S-14)	2	TCS131103012	
71	O-Ring (S-24)	1	TCS131103019	
72	O-Ring (G-65)	1	TCS131102009	

Figure Number	Name	Parts per hoist	Part Number
73	Spring Pin (4X16)	1	9148152
75	Spring Pin (3X5)	1	91481169
76	Retaining Ring (S-15)	1	9047115
77	Retaining Ring (H-28)	1	9047228
78	Hair Pin Cotter (8)	1	AH130790008
79	Retaining Ring (E-3)	4	TCS130303003
450	Brand Name Plate	1	AH137309264
451	Warning Tag	1	WTAG7

Cord Model Only:

Figure Number	Name	Parts per hoist	Part Number	
62	Chain Lever	TCW500C	1	TCW425833110
		TCW1000C2/P2	1	TCW425834110
350	Under Cover	1	TCS426233470	
352	Socket Bolt (HSHCS M5X30)	1	9091231	
353	Socket Bolt (HSHCS M5X20)	2	9091229	
358	O-Ring (S-6)	3	TCR131103004	
400	S-Type Wire	2	TCR130802081	
402	Grip (White, Up)	1	AH136602625	
403	Grip (Red, Down)	1	AH136602626	
404	Handle	1	AH136602627	
401R	Red Cord (Down)	2	9013102	
401W	White Cord (Up)	2	9013101	

Pendant Model Only:

Figure Number	Name	Parts per hoist	Part Number	
62	Chain Lever	TCW500P	1	TCW425832110
		TCW1000C2/P2	1	TCW425834110
300A	Pendant Valve Assembly	1	TCW420236VRD	
300	Throttle Valve	2	TCR420218VB0	
301	Valve Body	1	TCW420236VR0	
302	Bushing	2	TCS420218VF0	
303	Lever Pin	1	TCW420226V30	
304	Lever	2	TCW420218X30	
305	Spring (6X14X0.6)	2	TCS130802220	
306	Set Screw (HSSetS M6X6)	1	TCS132106006	
307	O-Ring (S-3 HS90)	2	TCS131109001	
308	O-Ring (S-10)	2	TCR131103008	
309	O-Ring (S-11.2)	2	TCS131103009	
330	Hose Fitting (H-2 PT1/8-7)	3	TCS135106302	
332	Hose Clamp	3	TCS137501013	
335	S-Type Wire	1	TCR130802081	
337	Cable Tie - Red	4	TCS137502034	
338	Cable Tie - White	2	TCS137502036	
339	Cable Tie - Black	2	TCS137502037	
350	Under Cover	1	TCS426230470	
351	Pendant Air Silencer	1	TCS137402033	
352	Socket Bolt (HSHCS M5X30)	1	9091231	
353	Socket Bolt (HSHCS M5X20)	2	9091229	
354	Set Screw (HSHCS M5X16)	2	TCS132105016	
355	Set Screw (HSHCS M5X5)	1	TCR132105005	
356	Flat Head Machine Screw (M5X6)	3	9096566	
357	Hex Nut (M5)	2	9093417	
358	O-Ring (S-6)	3	TCR131103004	
359	Boot	1	AH136608250	

10.1 Motor, Valve Body and Controls

Figure Number	Name	Parts per hoist	Part Number
360	Pendant Hose	3@FT	TCS137240925 9013156
361	Strain Relief Wire	1	9013120
363	Hose Fitting (H-1 PT1/8-7)	3	TCS135106301
364	Hose Clamp	3	9013155
365	Socket Bolt (HSHCS M5X10)	1	9091225
366	Washer (M5)	1	9012511

This Page Intentionally Left Blank

10.2 Brake, Gears and Load Suspension Components

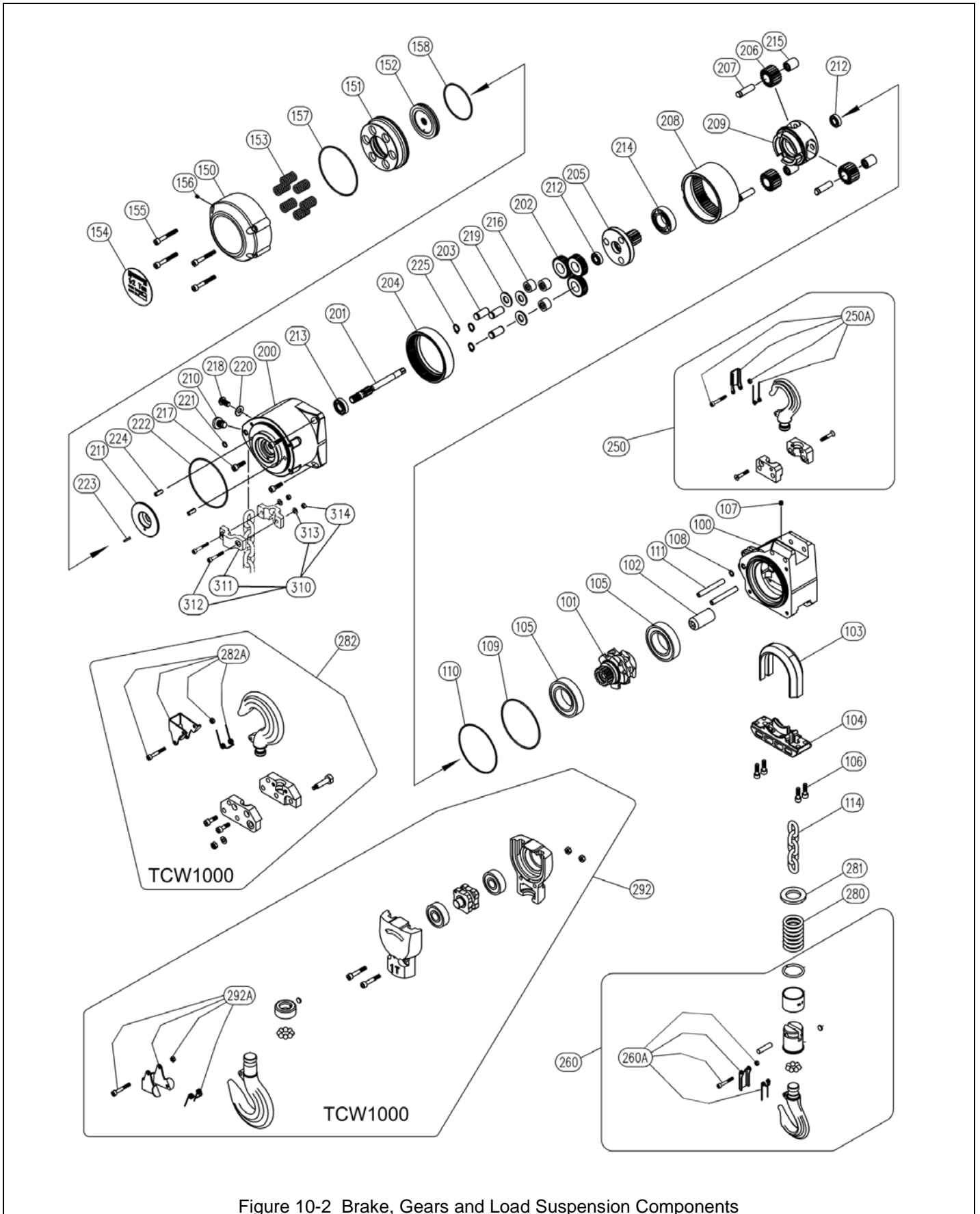


Figure 10-2 Brake, Gears and Load Suspension Components

10.2 Brake, Gears and Load Suspension Components

Figure Number	Name	Parts per hoist	Part Number
100	Center Housing	1	TCW425832A00
101	Load Sheave	1	TCS426230A50
102	Coupling	1	TCS426230200
103	Chain Guide	1	TCS426230350
104	Chain Separator	1	TCS426230360
105	Bearing (6008ZZ)	2	9000508
106	Socket Bolt (HSHCS M6X20)	4	9091250
107	Set Screw (HSSetS M6X6)	1	TCS132106006
108	O-Ring (S-8)	1	TCS131103006
109	O-Ring (S-90)	1	TCS131103052
110	O-Ring (AS568-043)	1	TCS131117043
111	Spring Pin (8X60)	2	TCS130608060
113	Chain Container Assembly	0	TCS42623055C
114	Load Chain	0	LCER005NP-FG
150	Brake Cover	1	TCW425832410
151	Brake Piston	1	TCS426230400
152	Brake Disk	1	TCS426230430
153	Disk Spring	6	TCR130802213
154	Name Plate	TCW 500	TCW137301140
		TCW 1000	TCW137301141
155	Socket Bolt (HSHCS M6X45)	4	9091255
156	Set Screw (HSSetS M5X5)	1	TCR132105005
157	O-Ring (S-90)	1	TCS131103052
158	O-Ring ()	1	TCS131103045
200	Gear Case	1	TCW425832310
201	First Pinion	1	TCS426230A60
202	First Star Gear	3	TCS426230A70
203	First Pin	3	TCS426230A80
204	First Ring Gear	1	TCS426230E10
205	Second Pinion	1	TCS426230E20
206	Second Star Gear	3	TCS426230E30
207	Second Pin	3	TCS426230E40
208	Second Ring Gear	1	TCS426230E50
209	Cage	1	TCS426230240
210	Lock Screw	1	TCW425832890
211	Brake Plate	1	TCS426230900
212	Bearing (6900)	2	9001232
213	Bearing (EE-4)	1	TCS130120004

Figure Number	Name	Parts per hoist	Part Number
214	Bearing (6005)	1	9000105
215	Needle Bearing (TA1020Z)	3	TCS130131020
216	Needle Bearing (TA1212)	3	TCS130131212
217	Socket Bolt (HSHCS M6X20)	3	9091250
218	Button Head Screw (M8X15)	1	9738076
219	Washer (M12)	3	TCS131307012
220	Washer (M8)	1	9012513
221	O-Ring (S-8)	1	TCS131103006
222	O-Ring (S-90)	1	TCS131103052
223	Spring Pin (3X14)	1	9148125
224	Spring Pin (6X15)	2	9148198
225	Retaining Ring (S-12)	3	9047112
250	Top Hook Kit – TCW500	1	TCW425832E6C
250A	Hook Latch Kit – TCW500	1	TCW425832R4A
		1	TCW42583293C
260	Swivel Bottom Hook Kit –TCW500	1	TCW42583293C
260A	Hook Latch Kit – TCW500	1	TCW425832R4A
		1	TCW425832Q00
280	Spring (30X55X5)	1	TCW425832Q00
281	Chain Washer	1	TCW425832G20
284	Chain Down Stopper	1	TCW425832C10
285	Hex Socket Bolt (M5x22)	2	TCR131705022
286	Hex Nut M5	2	TCR134401005
287	Spring Washer M5	2	TCR131301005

TCW 1000 Top Hook Assembly

Figure Number	Name	Parts per hoist	Part Number
282	Top Hook Kit – TCW1000	1	TCW425834L1C
282A	Hook Latch Kit – TCW1000	1	TCW425834R4A
		1	TCW425834R4A

TCW 1000 Lower Hook Assembly

Figure Number	Name	Parts per hoist	Part Number
292	Swivel Bottom Hook Kit – TCW1000	1	TCW425834L2C
292A	Hook Latch Kit– TCW1000	1	TCW425834R4A
		1	TCW425834R4A

10.3 Rebuild Kits

TCW Hoist Rebuild Parts

Figure Number	Name	Part Number	Parts per hoist	
			P/N TCS426231D5D Pendant Controlled Hoist Rebuild Kit	P/N TCS426235D5D Cord Controlled Hoist Rebuild Kit
10	Silencer (S)	TCS137402023	4	4
16	Valve Gasket	TCS136102165	1	1
21	O-Ring (S-7)	TCR131103005	2	2
22	O-Ring (S-15)	AH131103013	2	2
23	O-Ring (S-20)	AH131103016	4	4
24	O-Ring (S-22)	AH131103017	2	2
25	O-Ring (AS568-023)	TCS131117023	2	2
26	O-Ring (AS568-012 HS90)	AH131118012	2	2
27	O-Ring (S-12.5)	TCS131103011	2	2
55	Vane	TCS137102035	8	8
56	Lift Spring	TCR130802235	8	8
63	Motor Gasket	TCS136102166	1	1
64	Silencer (M)	TCS137402024	1	1
70	O-Ring S-14	TCS131103012	2	2
71	O-Ring S-24(Air Inlet Swivel)	TCS131103019	1	1
72	O-Ring (G-65)	TCS131102009	1	1
108/ 221	O-Ring (S-8)	TCS131103006	2	2
109/157/222	O-Ring (S-90)	TCS131103052	3	3
110	O-Ring (AS568-043)	TCS131117043	1	1
158	O-Ring (S-65)	TCS131103045	1	1
351	Pilot Silencer (Pendant Only)	TCS137402033	1	N/A
358	O-Ring (S-6)	TCR131103004	3	1

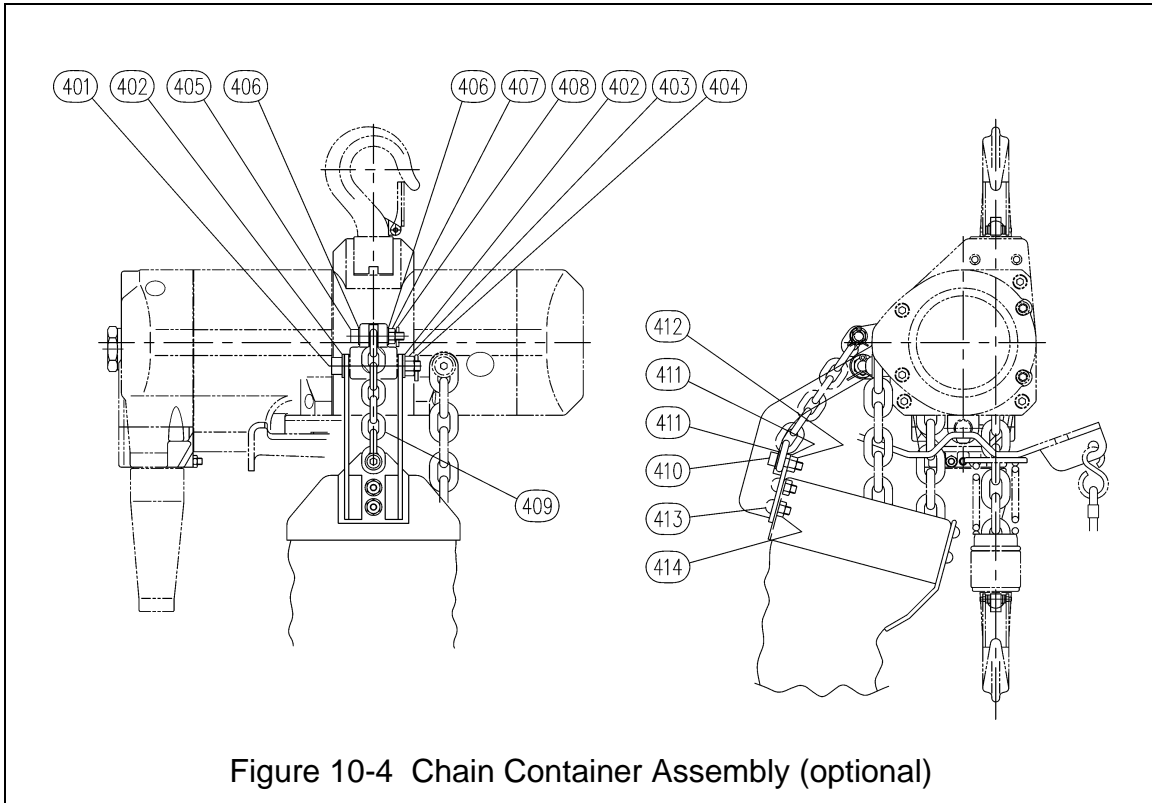


Figure 10-4 Chain Container Assembly (optional)

Figure Number	Name	Parts per hoist	Part Number
400	Chain Container Assembly	1	TCS42623055C
401	Socket Bolt	1	8311601
402	Flat Washer	2	9012513
403	Hex Nut	1	9093424
404	Split Pin	1	90094165
405	Socket Bolt	1	8311602
406	Flat Washer	2	9012511
407	Hex Nut	1	9093420
408	Split Pin	1	9009413
409	Load Chain	8 Links	LCCF005
410	Socket Bolt	1	9091251
411	Flat Washer	2	9012511
412	Lock Nut	1	9098504
413	Machine Screw	4	9091227
414	Hex Nut	4	9093417



Harrington Hoists, Inc.
401 West End Avenue
Manheim, PA 17545

www.harringtonhoists.com

Toll Free: 800-233-3010
Phone: 717-665-2000
Fax: 717-665-2861

© HARRINGTON HOISTS, INC.
All Rights Reserved

TCWOM-ENG